

# Brass Ball Valve

Mini Valves, 1 Piece, Threaded Connection, 450 WOG

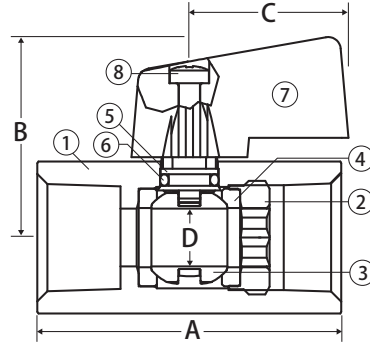
## T-84-M



FIP x FIP



MIP x FIP



### FEATURES

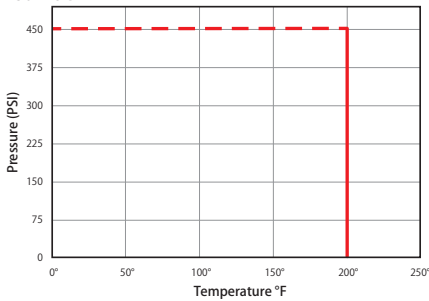
- Chrome Plated Brass
- Single O-Ring Stem Design
- Blow-Out Proof Stem
- 100% Leak Tested
- 100% Made in Italy

### CERTIFICATIONS/APPROVALS

- MSS SP-110
- ANSI B1.20.1

### VALVE SEAT RATING

450 WOG



### MATERIALS

No.	Part	Material
1	Body	Chrome Plated Brass - C38500
2	Body Inset	Brass - C38500
3	Ball	Nickel Plated Brass - C38500
4	Seat (2)	PTFE
5	Stem	Brass - C38500
6	Stem O-Ring	Buna-N
7	Handle	Nylon 66 - 30% Glass Filled
8	Handle screw	Steel

### DIMENSIONS

Part No	Size	A	B	C	D
FIP x FIP					
100-430	1/8"	1.54	1.05	0.86	0.31
100-431	1/4"	1.7	1.05	0.86	0.31
100-432	3/8"	1.7	1.07	0.86	0.31
100-433	1/2"	2.09	1.16	0.86	0.39
MIP x FIP					
100-440	1/8"	1.54	1.05	0.86	0.31
100-441	1/4"	1.7	1.05	0.86	0.31
100-442	3/8"	1.7	1.07	0.86	0.31
100-443	1/2"	2.09	1.16	0.86	0.39
FIP x FIP Extended Handle					
100-460	1/8"	1.54	1.05	2.28	0.31
100-461	1/4"	1.7	1.05	2.28	0.31
100-462	3/8"	1.7	1.07	2.28	0.31
100-463	1/2"	2.09	1.16	2.28	0.39