

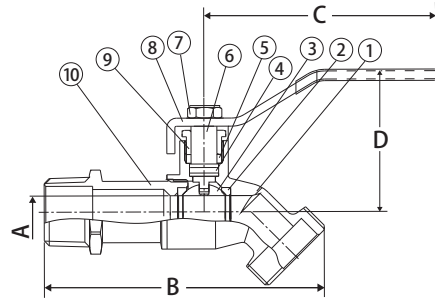
# Lead Free Brass Hose Bibb



## Lead Free Brass and Nickel-Plated, Threaded Connection, Quarter Turn, No Kink, 200 WOG



**T-632NKG**



### Lever Handle Material Specifications

No.	Part	Materials
1	Body	Brass C46500
2	Seat	PTFE
3	Ball	Chrome Plated C46500
4	O-Ring	NBR
5	Packing	PTFE
6	Stem	Brass C37700
7	Handled Nut	Steel Chrome Plate
8	Handle	Steel Chrome Plate
9	Packing Nut	Brass C37700
10	Cap	Brass C46500

### Lever Handle Dimensions

Part No.	Size	A	B	C	D	CV
201-217G	1/2"	0.394	3.42	3.46	1.73	8.23
201-218G	3/4"	0.394	3.52	3.46	1.73	8.23

### Features (Lever Handle)



- Dezincification Resistant Brass Alloy
- Long Life Positive Shut-Off
- 1/2" has Combination 1/2" MIP and 1/2" Solder Inlet
- IAPMO Certified NSF/ANSI/CAN 61 & NSF 372
- Wetted Surfaces Contain Less than .25% Lead Content

### Features (T-Handle)



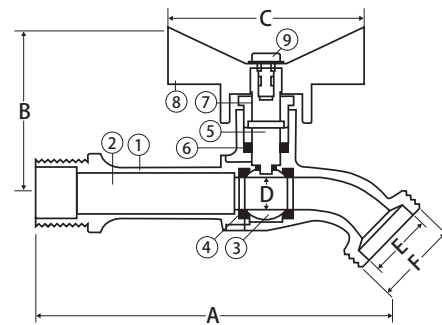
- Nickel-Plated Finish
- Long Life Positive Shut-Off
- Aluminum T-Handle
- 1/2" has Combination 1/2" MIP and 1/2" Solder Inlet
- Truesdail Certified NSF/ANSI/CAN 61 & NSF 372
- Wetted Surfaces Contain Less than .25% Lead Content

### Approvals

- Truesdail Certified NSF/ANSI/CAN 61 & NSF 372
- IAPMO Certified NSF/ANSI/CAN 61 & NSF 372
- ANSI B1.20.1 and B1.20.7

### Valve Seat Rating

- 200 WOG



### T-Handle Material Specifications

No.	Part	Materials
1	Body	Lead Free Nickel Plated Brass
2	End Connection	Lead Free Nickel Plated Brass
3	Ball	Lead Free Chrome Plated Brass
4	Seat (2)	PTFE
5	Stem	Lead Free Brass
6	Packing	PTFE
7	Packing Gland	Lead Free Brass
8	Handle	Aluminum
9	Handle Screw	Lead Free Nickel Plated Brass



**WARNING:** This product can expose you to chemicals including lead, which is known to the State of California to cause cancer, birth defects or other reproductive harm. For more information go to [www.P65Warnings.ca.gov](http://www.P65Warnings.ca.gov).

### T-Handle Dimensions

Part No.	Size	A	B	C	D	E	F
201-207G	1/2"	3.30	1.32	1.89	0.39	0.75	3/4 GHT
201-208G	3/4"	3.30	1.32	1.89	0.39	0.75	3/4 GHT