

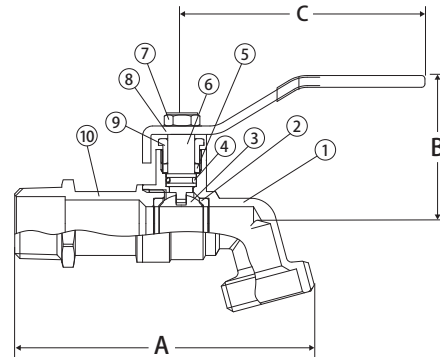
Lead Free Brass Hose Bibb



Lead Free Brass or Nickel-Plated, Threaded Connection, Quarter Turn, 200 WOG



T-632G



Lever Handle Material Specifications

No.	Part	Materials
1	Body	Brass C46500
2	Seat	PTFE
3	Ball	Chrome Plated C46500
4	O-Ring	NBR
5	Packing	PTFE
6	Stem	Brass C37700
7	Handled Nut	Steel Chrome Plate
8	Handle	Steel Chrome Plate
9	Packing Nut	Brass C37700
10	Cap	Brass C37700

Lever Handle Dimensions

Part No.	Size	A	B	C	CV
201-215G	1/2"	3.49	1.73	3.46	7.92
201-216G	3/4"	3.59	1.73	3.46	7.92

Features (Lever Handle)



- Dezincification Resistant Brass Alloy
- Long Life Positive Shut-Off
- 1/2" has Combination 1/2" MIP and 1/2" Solder Inlet
- IAPMO Certified NSF 61 & NSF 372
- Wetted Surfaces Contain Less than .25% Lead Content

Features (T-Handle)



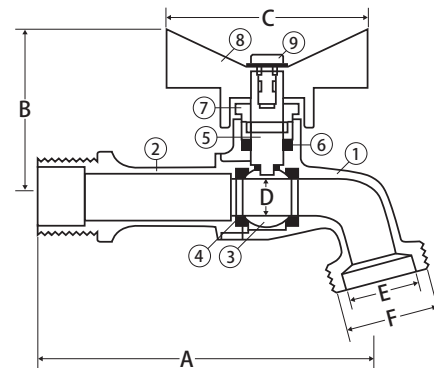
- Nickel-Plated Finish
- Aluminum T-Handle
- Long Life Positive Shut-Off
- 1/2" has Combination 1/2" MIP and 1/2" Solder Inlet
- Truesdail Certified NSF/ANSI/CAN 61 & NSF 372
- Wetted Surfaces Contain Less than .25% Lead Content

Approvals

- ANSI B1.20.1 and B1.20.7

Valve Seat Rating

- 200 WOG



T-Handle Material Specifications

No.	Part	Materials
1	Body	Lead Free Nickel Plated Brass
2	End Connection	Lead Free Nickel Plated Brass
3	Ball	Lead Free Chrome Plated Brass
4	Seat (2)	PTFE
5	Stem	Lead Free Brass
6	Packing	PTFE
7	Packing Gland	Lead Free Brass
8	Handle	Aluminum
9	Handle Nut	Lead Free Nickel Plated Brass

T-Handle Dimensions

Part No.	Size	A	B	C	D	E	F
201-205G	1/2"	3.02	1.43	1.91	0.39	0.75	3/4 GHT
201-206G	3/4"	3.06	1.43	1.91	0.39	0.75	3/4 GHT



WARNING: This product can expose you to chemicals including lead, which is known to the State of California to cause cancer, birth defects or other reproductive harm. For more information go to www.P65Warnings.ca.gov.