

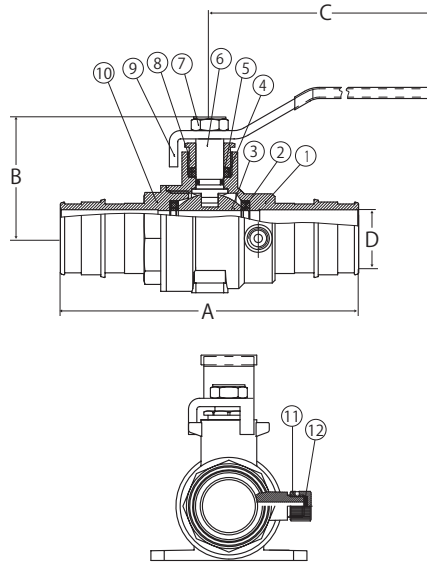
Lead Free Brass Ball Valve

2 Piece, Expansion Pex Connection with Drain, Stainless Steel Trim, 400 WOG

T-423G



*Also Available in T-Handle



FEATURES

- Dezincification Resistant Brass Alloy
- Gland Follower and Single O-Ring Stem Design
- Drop Ears for Easy Installation
- Blow-Out Proof Stem
- 100% Leak Tested
- IAPMO Certified - NSF 61 & NSF 372 & NSF 14 Certified
- ASTM F1960
- Wetted Surfaces Contain Less than .25% Content

CERTIFICATIONS/APPROVALS

- ASTM F1960
- RoHS Compliant
- IAPMO Certified (1/2" and 3/4")
 - NSF 61-8
 - NSF 372
 - Uniform Plumbing Code (cUPC)
 - IAPMO/ANSI Z1157-2014
 - NSF/ANSI 14-2014

PRESSURE/TEMPERATURE RATING

- Body Rated to 400 WOG
- Expansion Connection Rated to 150 WOG up to 200°F

MATERIALS

No.	Part	Material
1	Body	Lead Free Brass - C46500
2	Seat	PTFE
3	Ball	304 Stainless Steel
4	Packing	PTFE
5	O-ring	NBR
6	Stem	304 Stainless Steel
7	Handle Nut	Steel - Chrome Plated
8	Packing Nut	Brass - C37700
9	Handle	Steel - Chrome Plated
10	Cap	Lead Free Brass - C46500
11	Screw	Brass - C37700
12	Gasket	EPDM

DIMENSIONS

Part No	Size	A	B	C	D	E
104-543PG	1/2"	2.98	1.69	3.35	0.39	1.45
104-544PG	3/4"	3.46	1.81	3.35	0.61	1.6
104-545PG	1"	3.46	2.09	4.24	0.81	1.6