

# Gas Ball Valve

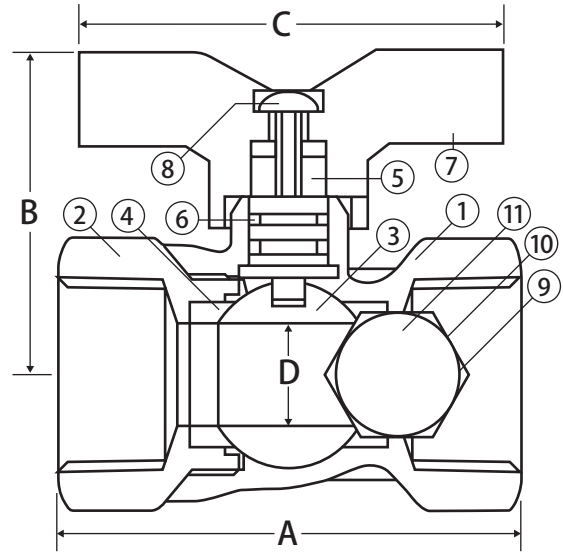


## 2 Piece • Threaded Connection • Side Tap • 600 WOG



CRN# 0C16887.5469870YTN

**T-203 - FIP x FIP**



### Features

- Eliminates Need for Test Tee and Labor to Install
- Ideal for Outside Use in Extremely Cold Climates
- Removable Plug Enables Port for Pressure Gauge
- 1/8" Side Tap Valve
- Valve can be Locked in Closed Position by Reversing Handle
- 2 NBR O-Rings
- 100% Leak Tested
- 100% Made in Italy
- Leakproof Stem - Lifetime Warranty
- Use Model T-100STN for Sizes Above 3/4"

### Approvals

- UL Listed
  - YQNZ - Compressed Gas Shut-Off Valves
  - YRPV - Gas Shut-Off Valves
  - YSDT - LP Gas Shut-Off Valves
  - MHKZ - Manual Valves
  - YRBX - Flammable Liquid Shut-Off Valves
  - SFJQ - Valves, Refrigerant
- CSA Certified
  - ANSI Z21.15 (.5 PSIG)
  - ASME B16.44 (5 PSIG)
  - CSA 9.4:21 (5 PSIG) - indoor/outdoor uses
- ANSI B1.20.1
- MSS SP-110
- Buy American Act Compliant

### Material Specifications

| No. | Part            | Materials                    |
|-----|-----------------|------------------------------|
| 1   | Body            | Brass - C37700               |
| 2   | End Connection  | Brass - C37700               |
| 3   | Ball            | Chrome Plated Brass - C38500 |
| 4   | Seat (2)        | PTFE                         |
| 5   | Stem            | Brass - C38500               |
| 6   | Stem O-ring (2) | NBR                          |
| 7   | Handle          | Aluminum                     |
| 8   | Handle Screw    | Steel - Geomet® Plated       |
| 9   | Side Tap Plug   | Brass - C38500               |
| 10  | Side Tap Washer | Buna-N                       |
| 11  | Side Tap Cap    | Brass - C38500               |

### Dimensions

| Part No. | Size | A    | B    | C    | D    |
|----------|------|------|------|------|------|
| 102-301  | 1/4" | 1.99 | 1.63 | 2.32 | 0.39 |
| 102-302  | 3/8" | 1.99 | 1.63 | 2.32 | 0.47 |
| 102-303  | 1/2" | 2.45 | 1.63 | 2.32 | 0.47 |
| 102-304  | 3/4" | 2.63 | 1.69 | 2.32 | 0.59 |

**WARNING:** This product can expose you to chemicals including lead, which is known to the State of California to cause cancer, birth defects, or other reproductive harm. For more information go to [www.P65Warnings.ca.gov](http://www.P65Warnings.ca.gov).



### Valve Seat Rating

600 WOG

