

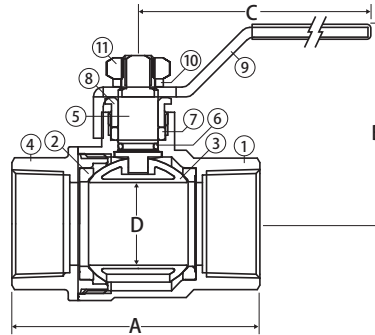
# Lead Free Brass Ball Valves

2 Piece, Full Port, Threaded Connection, 600 WOG

**T-150G**



CRN# OC17996.52



### FEATURES

- Dezincification Resistant Brass Alloy
- Gland Follower and Single O-Ring Stem Design
- Blow-Out Proof Stem
- IAPMO Certified - NSF 61 & NSF 372 Certified
- Wetted Surfaces Contain Less than .25% Content

### CERTIFICATIONS/APPROVALS

UL Listed

- VQGU - Trim & drain (1/2" - 2")
- MHKZ - Manual valves
- YQNZ - Compressed gas shut-off valves
- YRBX - Flammable liquid shut-off valves
- YRPV - Gas shut-off valves
- YSDT - LP gas shut-off valves

IAPMO Certified

- NSF 61-8
- NSF 372

CSA Certified (.5, 5, 125 PSIG) (1/2" - 2")

- CGA 3.16
- ASME B16.33
- ANSI Z21.15
- ASME B16.44
- CGA CR91

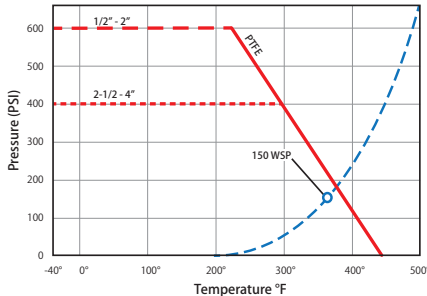
MSS SP-110

ANSI B1.20.1

FM Approval (1/4" - 2")

### VALVE SEAT RATING

600 WOG - 150 WSP



### MATERIALS

No.	Part	Material
1	Body	Lead Free Brass - C46500
2	Seat (2)	PTFE
3	Ball	304 Stainless Steel
4	End Connection	Lead Free Brass - C46500
5	Stem	Brass - 37700
6	O-ring	Viton
7	Packing	PTFE
8	Packing Gland	Brass - 37700
9	Handle	Steel
10	Lock Washer	Steel
11	Handle Nut	304 Stainless Steel

### DIMENSIONS

Part No	Size	A	B	C	D
150-103G	1/2"	2.09	1.78	3.94	0.59
150-104G	3/4"	2.38	1.94	3.94	0.79
150-105G	1"	2.93	2.2	4.33	0.98
150-106G	1-1/4"	2.93	2.54	5	1.26
150-107G	1-1/2"	3.63	3.02	6.18	1.57
150-108G	2"	4.17	3.34	6.18	1.97
150-109G	2-1/2"	5.33	4.72	9.45	2.56
150-110G	3"	6.01	5.12	9.45	2.95
150-111G	4"	7.23	6.57	9.45	3.96