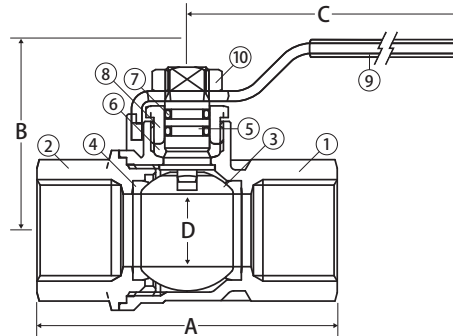


# Brass Ball Valve

2 Piece, Full Port, Threaded Connections, 600 WOG

## T-100NE



### FEATURES

- Triple Sealing Stem with 2 FKM O-Rings and 2nd Generation PTFE Seal
- Blow-Out Proof Stem
- 100% Leak Tested
- 100% Made in Italy
- Leakproof Stem - Lifetime Warranty
- 29 in-Hg Vacuum Rating
- Accessories Available

### CERTIFICATIONS/APPROVALS

UL Listed (1/4" - 2")

- MHKZ - Manual Valves
- YQNZ - Compressed Gas Shut-Off Valves
- YRBX - Flammable Liquid Shut-Off Valves
- YRPV - Gas Shut-Off Valves
- YSDT - LP Gas Shut-Off Valves
- SFJQ - Valves, Refrigerant

CSA Certified

- ANSI Z21.15 (.5 PSIG) (1/4" - 3")
- ASME B16.33 (125 PSIG) (1/2" - 2")
- ASME B16.38 (125PSIG) (2-1/2" - 4")
- CSA 3.16-15 (125 PSI) (1/4" - 4")
- CGA 9.2 (1/4" - 3")

Delta C (3/8" - 3/4")

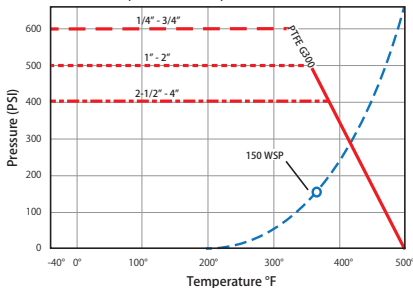
MSS SP-110

ANSI B1.20.1

FM Approval (1/4" - 3/4" 600 WOG, 1" - 2" 500 WOG)

### VALVE SEAT RATING

1/4" - 3/4" 600 WOG, 1-2" 500 WOG, 2-1/2" - 4" 400 WOG - 150 WSP



### MATERIALS

No.	Part	Material
1	Body	Brass - C37700
2	End Connection	Brass - C37700
3	Ball	T.E.A. Coated Brass - C37700
4	Seat (2)	PTFE G300
5	Stem	Brass - C38500
6	Packing	PTFE G300
7	Stem O-ring (2)	FKM
8	Packing Gland	Brass - C38500
9	Handle	Steel - Geomet® Plated
10	Handle Nut	Steel - Geomet® Plated

### DIMENSIONS

Part No	Size	A	B	C	D	Cv
100-701	1/4"	1.86	1.41	2.95	0.39	7.66
100-702	3/8"	1.86	1.41	2.95	0.39	7.77
100-703	1/2"	2.45	1.53	2.95	0.59	16.82
100-704	3/4"	2.71	1.95	3.74	0.79	34.80
100-705	1"	3.30	2.40	4.75	0.97	52.20
100-706	1-1/4"	3.80	2.59	4.75	1.23	112.52
100-707	1-1/2"	4.16	3.22	6.00	1.49	174.00
100-708	2"	5.00	3.40	6.00	1.99	255.20
100-709	2-1/2"	6.06	4.60	8.00	2.46	350.32
100-710	3"	7.08	4.90	8.00	2.99	563.76
100-711	4"	8.57	5.90	9.88	4.00	879.28