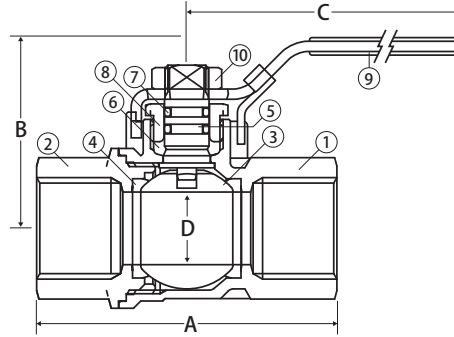


Brass Ball Valve

2 Piece, Full Port, Threaded Connection, Locking Handle, 600 WOG

T-100NE-LH



FEATURES

- Triple Sealing Stem with 2 FKM O-Rings and 2nd Generation PTFE Seal
- Blow-Out Proof Stem
- 100% Leak Tested
- 100% Made in Italy
- Leakproof Stem - Lifetime Warranty
- 29 in-Hg Vacuum Rating

CERTIFICATIONS/APPROVALS

- UL Listed (1/4" - 2")
 - MHKZ - Manual Valves
 - YQNZ - Compressed Gas Shut-Off Valves
 - YRBX - Flammable Liquid Shut-Off Valves
 - YRPV - Gas Shut-Off Valves
 - YSDT - LP Gas Shut-Off Valves
 - SFJQ - Valves, Refrigerant
- CSA Certified
 - ANSI Z21.15 (.5 PSIG) (1/4" - 3")
 - ASME B16.33 (125 PSIG) (1/2" - 2")
 - ASME B16.38 (125 PSIG) (2-1/2" - 4")
 - CSA 3.16-15 (125 PSI) (1/4" - 4")
 - CGA 9.2 (1/4" - 3")
- Delta C (3/8" - 3/4")
- MSS SP-110
- ANSI B1.20.1
- FM Approval (1/4" - 3/4" 600 WOG, 1" - 2" 500 WOG)

MATERIALS

No.	Part	Material
1	Body	Brass - C37700
2	End Connection	Brass - C37700
3	Ball	T.E.A. Coated Brass - C37700
4	Seat (2)	PTFE G300
5	Stem	Brass - C38500
6	Packing	PTFE G300
7	Stem O-Ring (2)	FKM
8	Packing Gland	Brass - C38500
9	Handle	304 Stainless Steel
10	Handle Nut	Steel - Geomet® Plated

DIMENSIONS

Part No	Size	A	B	C	D	E
100-701-LH	1/4"	1.86	2.18	3.50	0.39	7.66
100-702-LH	3/8"	1.86	2.18	3.50	0.39	7.77
100-703-LH	1/2"	2.45	2.27	3.50	0.59	16.82
100-704-LH	3/4"	2.71	2.91	4.40	0.79	34.80
100-705-LH	1"	3.30	3.34	5.20	0.97	52.20
100-706-LH	1-1/4"	3.80	3.55	5.20	1.23	112.52
100-707-LH	1-1/2"	4.16	3.96	6.73	1.49	174.00
100-708-LH	2"	5.00	4.20	6.73	1.99	255.20

VALVE SEAT RATING

1/4" - 3/4" 600 WOG, 1-2" 500 WOG, 2-1/2" - 4" 400 WOG - 150 WSP

