

Filterball



Full Port • Threaded Connections • 400 WOG • with Integrated Strainer



T-100FB

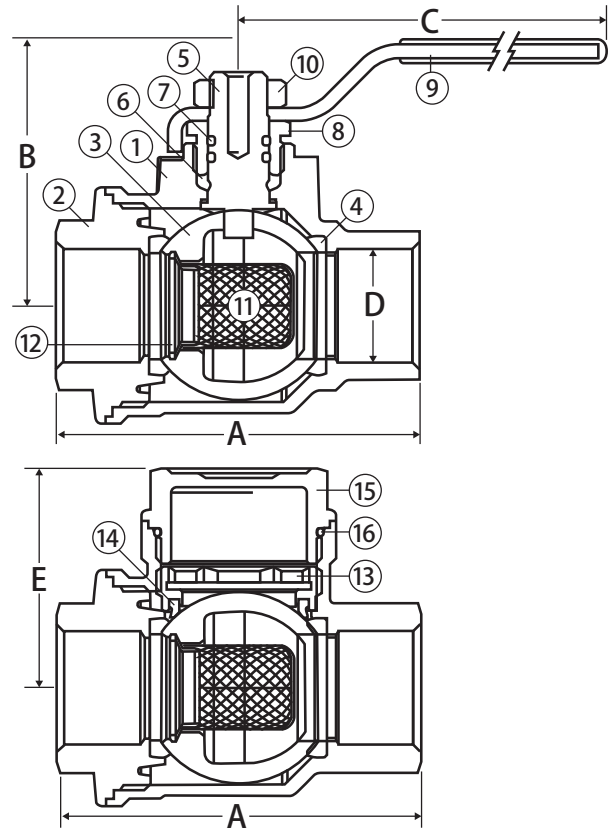
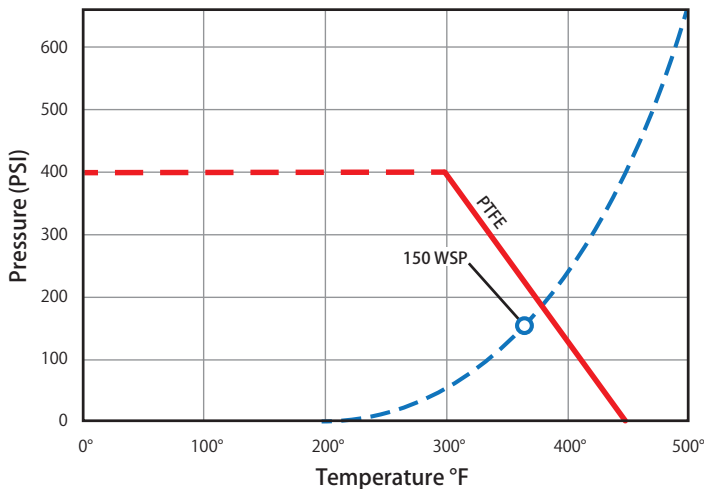
Features

- Blow-out proof stem
- Triple sealing stem with 2 Viton® o-rings and Teflon® seal
- Shipped standard with 304 SS 28 mesh screen
 - Available mesh screens: 40, 60, 80, 100
- Corrosion resistant brass
- Reversible handle
- 100% leak tested
- 100% Made in Italy
- Leakproof stem - Lifetime Warranty
- Accessories available

Approvals

- ANSI B1.20.1

Valve Seat Rating 400 WOG - 150 WSP



Material Specifications

| No. | Part | Materials |
|-----|-----------------|------------------------------|
| 1 | Body | Brass - C35330 |
| 2 | End Connection | Brass - C35330 |
| 3 | Ball | Chrome Plated Brass - C35330 |
| 4 | Seat (2) | Virgin PTFE |
| 5 | Stem | Brass - C35330 |
| 6 | Packing | Virgin PTFE |
| 7 | Stem O-ring (2) | Viton® |
| 8 | Packing Gland | Brass - C38500 |
| 9 | Handle | Steel - Geomet® Plated |
| 10 | Handle Nut | Steel - Geomet® Plated |
| 11 | Filter Basket | 304 Stainless Steel |
| 12 | C-Clip Retainer | Phosphorous Bronze (CuSn6) |
| 13 | Body insert* | Brass - C35330 |
| 14 | Auxiliary Seat* | Virgin PTFE |
| 15 | Cap | Brass - C35330 |
| 16 | O-ring | Viton® |

*Not on 1/2" valve

Dimensions

| Part No. | Size | A | B | C | D | E | Cv |
|----------|--------|------|------|------|------|------|-------|
| 100-833 | 1/2" | 2.73 | 2.20 | 3.74 | 0.69 | 1.47 | 8.09 |
| 100-834 | 3/4" | 3.03 | 2.40 | 4.72 | 0.89 | 1.73 | 8.67 |
| 100-835 | 1" | 3.74 | 2.60 | 4.72 | 1.12 | 2.01 | 16.76 |
| 100-836 | 1-1/4" | 4.73 | 3.23 | 5.91 | 1.40 | 2.36 | 23.12 |
| 100-837 | 1-1/2" | 5.00 | 3.50 | 5.91 | 1.77 | 2.91 | 42.77 |
| 100-838 | 2" | 6.06 | 3.56 | 5.91 | 1.77 | 3.01 | 42.77 |



WARNING: This product can expose you to chemicals including lead, which is known to the State of California to cause cancer, birth defects or other reproductive harm. For more information go to www.P65Warnings.ca.gov.