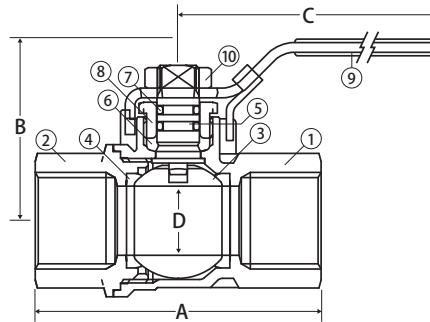


Lead Free Brass Ball Valve

2 Piece, Full Port, Threaded Connection, Locking Handle, 600 WOG

T-100CG-LH



FEATURES

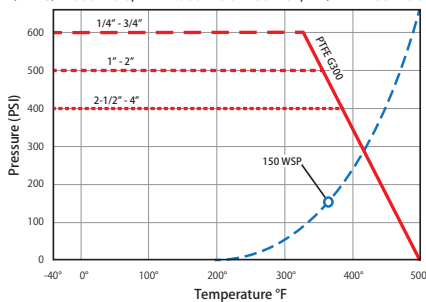
- Dezincification Resistant Brass Alloy
- Triple Sealing Stem with 2 FKM O-Rings and PTFE G300 Seal
- Blow-out Proof Stem
- 100% Leak Tested
- 100% Made in Italy
- NSF 61 & NSF 372 Certified
- Leakproof Stem - Lifetime Warranty
- 29 in-Hg Vacuum Rating
- Wetted Surfaces Contain Less than .25% Lead Content

CERTIFICATIONS/APPROVALS

- NSF/ANSI/CAN 61-G
- CSA Certified
 - ANSI Z21.15 (.5 PSIG)
 - ASME B16.44 (5 PSIG)
 - CGA CR91 (5 PSIG)
- Threads according to ANSI B1.20.1
- Meets MSS SP-110
- Meets ISO 6509

VALVE SEAT RATING

1/4" - 3/4" 600 WOG, 1" - 2" 500 WOG - 150 WSP, 2-1/2" - 4" 400 WOG



MATERIALS

No.	Part	Material
1	Body	Lead Free Brass - C27453
2	End Connection	Lead Free Brass - C27453
3	Ball	T.E.A. Coated Brass - C28500
4	Seat (2)	PTFE G300
5	Stem	Lead Free Brass - C28500
6	Packing	PTFE G300
7	Stem O-ring (2)	FKM
8	Packing Gland	Brass - C38500
9	Handle	304 Stainless Steel
10	Handle Nut	Steel - Geomet® Plated

DIMENSIONS

Part No	Size	A	B	C	D	Cv
100-403G-LH	1/2"	2.45	2.26	3.57	0.59	16.82
100-404G-LH	3/4"	2.71	2.91	4.40	0.79	34.80
100-405G-LH	1"	3.30	3.34	5.20	0.97	52.20
100-406G-LH	1-1/4"	3.80	3.55	5.20	1.23	112.52
100-407G-LH	1-1/2"	4.16	3.96	6.73	1.49	174.00
100-408G-LH	2"	5.00	4.20	6.73	1.99	255.20