

Designer Series Basket Strainer



Snap-Tite™ | Sink Strainer, 300 Grade Stainless Steel

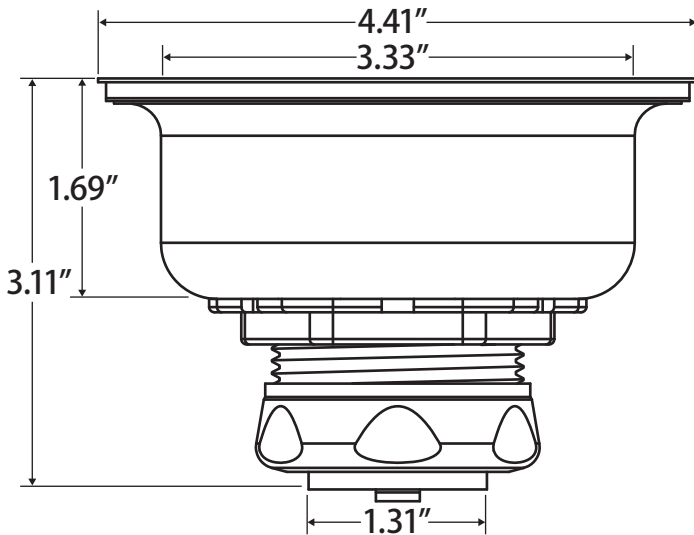
DESIGNERS SERIES



SS-440

The Snap-Tite™ basket strainer utilizes a stem clip that can switch from straining to a positive leak-proof rubber seal with a simple push or pull motion. The Snap-Tite™ body and basket are high quality stainless steel and comes standard with a zinc or brass lock nut and tail nut. This strainer has the basics of quality that The Designer Series is known for.

Fits sinks which have a thickness between 1/16" and 3/4"



WARNING: This product can expose you to chemicals including lead, which is known to the State of California to cause cancer, and lead, which is known to the State of California to cause birth defects or other reproductive harm. For more information go to www.P65Warnings.ca.gov.

No.	Materials
	300-014
1	Handle Chrome Plated Brass
2	Strainer Basket SS304
3	Body Polished SS304
4	Rubber Washer BUNA-N
5	Cup Galvanized SS304
6	Lock Nut Brass
7	Seal Ring Polyethylene
8	Tail Nut Brass

Note: All models include friction ring