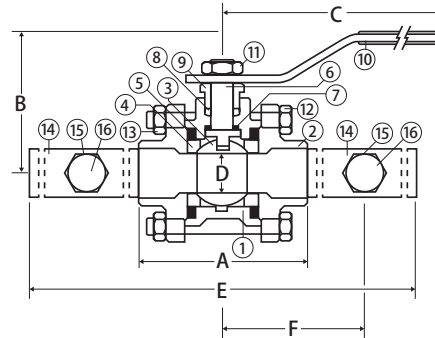
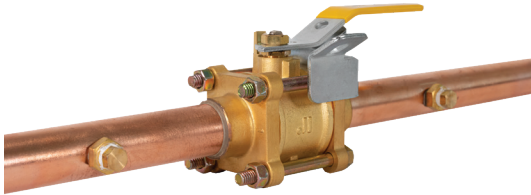




## Medical Gas Ball Valve

3 Piece 4 Bolt, Copper Stub Connection, Double Gauge Port, Oxygen Cleaned for Medical Gas, 600 WOG

**S-675-DGP-4B**



### FEATURES

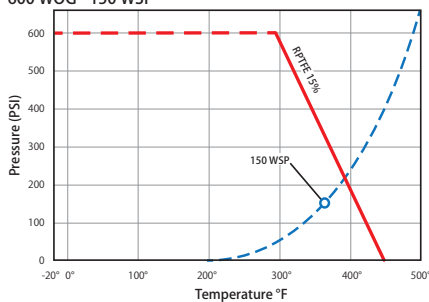
- NFPA-99C Standard
- Two 1/8" Gauge Purge Ports
- "K" Copper Tubing Extensions Silver Brazed
- Latch Lock Handle is Standard
- Oxygen Cleaned
- 100% Leak Tested
- 29 in-Hg Vacuum Rating

### CERTIFICATIONS/APPROVALS

MSS SP-110

### VALVE SEAT RATING

600 WOG - 150 WSP



### MATERIALS

No.	Part	Material
1	Body	Brass
2	End Cap (2)	Brass
3	Ball**	Chrome Plated Brass
4	Seat (2)	RPTFE - 15%
5	Body O-ring (2)	Viton®
6	Stem***	Brass
7	Stem Seal	RPTFE - 15%
8	Packing	RPTFE - 15%
9	Packing Gland	Brass
10	Handle	Steel - Nickel Plated
11	Handle Nut	Steel - Nickel Plated
12	Body Bolt (4)	Steel - Nickel Plated
13	Body Nut (4)	Steel - Nickel Plated
14	Extension (2)	Copper
15	Port Housing (2)	Brass
16	Purge Port (2)	Brass
17	Locking Device*	Steel - Nickel Plated
18	End Plug*	Plastic

\* Not shown in drawing

\*\* Material is Stainless Steel 304 for 1-1/4" through 2"

\*\*\* Material is Stainless Steel 304 for 1" through 2"

### DIMENSIONS

Part No	Size	A	B	C	D	E	F	Torque (in. lbs.)
500-833	1/2"	2.64	1.81	2.87	0.59	17.5	5	89-106
500-834	3/4"	2.95	2.44	4.67	0.79	17.5	5	89-106
500-835	1"	3.46	2.56	4.67	0.99	19	5	142-159
500-836	1-1/4"	3.97	3.11	5.86	1.26	20	6.5	142-159
500-837	1-1/2"	4.45	3.27	5.86	1.5	23.5	6.5	142-159
500-838	2"	5.55	3.66	7.87	1.97	26	6.5	159-177



WARNING: This product can expose you to chemicals including lead, which is known to the State of California to cause cancer, birth defects or other reproductive harm. For more information go to [www.P65Warnings.ca.gov](http://www.P65Warnings.ca.gov).