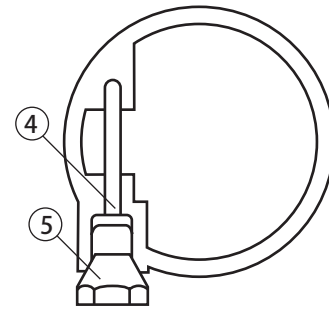
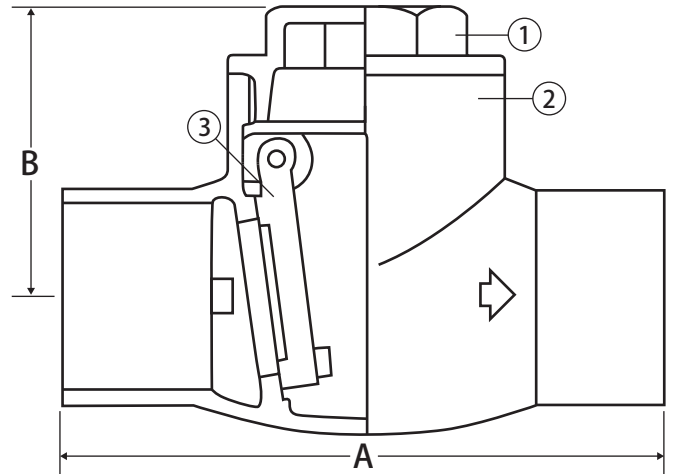


# Brass Horizontal Swing Check Valve

## Solder Connection • 200 WOG



**S-501**



### Features

- Residential and commercial applications

### Approvals

- ASME/ANSI B16.18

### Pressure/Temperature Rating

- 200 WOG
- -10F to 180F

Install 5 pipe diameters minimum downstream from pump discharge or changes in direction to avoid flow turbulence. Flow straighteners may be required in extreme cases.

Note: On pump discharge, the preferred check valves are: inline, spring assisted, center-guided, lift checks.

Jomar Check Valves may be installed in both horizontal and vertical lines with upward flow or in an intermediate position. They will operate satisfactory in a declining plane (no more than 15°).

**Warning: Do Not Use For Reciprocating Air Compressor Service**

### Material Specifications

No.	Part	Materials
1	Cap	Cast Brass
2	Body	Cast Brass
3	Disc	Forged Brass
4	Hinge Pin	Brass
5	Screw	Brass

### Dimensions

Part No.	Size	A	B
105-203	1/2"	2.52	1.54
105-204	3/4 "	1.54	1.62
105-205	1"	3.51	1.77
105-206	1-1/4"	4.16	2.01
105-207	1-1/2"	4.53	2.25
105-208	2"	5.46	2.68



**WARNING:** This product can expose you to chemicals including lead, which is known to the State of California to cause cancer, birth defects or other reproductive harm. For more information go to [www.P65Warnings.ca.gov](http://www.P65Warnings.ca.gov).