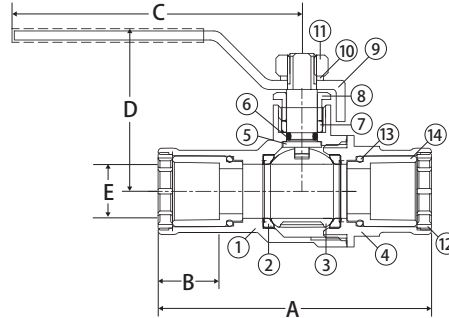


Lead Free Brass Ball Valve

CPVC, 2 Piece, Full Port, Solvent Connection, 150 WOG

S-155G



FEATURES

- Dezincification Resistant Brass Alloy
- Standard CTS
- For Hot/Cold Water Systems
- Quarter-Turn Operation
- Standard CPVC Installation
- CPVC End Connection Inserts

CERTIFICATIONS/APPROVALS

- ANSI/NSF/CAN 61
- ANSI/NSF 372
- Conforms to ASTM D2846

PRESSURE/TEMPERATURE RATING

- 150 PSI at 73°F Continuous
- Temp range: 33°F to 180°F

MATERIALS

No.	Part	Material
1	Body	Lead Free Brass - C46500
2	Seat	TFM 1700
3	Ball	Chrome Plated LF Brass - C46500
4	End Connection	Lead Free Brass - C46500
5	Stem	Brass
6	O-Ring	FPM
7	Packing	TFM 1700
8	Packing Nut	Brass
9	Handle	Steel
10	Lock Washer	Stainless Steel
11	Nut	304 Stainless Steel
12	Plug Cap	Lead Free Brass - C46500
13	O-Ring	EPDM
14	Connector	CPVC

DIMENSIONS

Part No	Size	A	B	C	D	E
150-603G	1/2"	2.93	0.67	3.68	1.98	0.59
150-604G	3/4"	3.56	0.87	4.04	2.14	0.79
150-605G	1"	4.31	1.06	4.14	2.39	0.98