

Pneumatic Actuator

Double Acting and Spring Return Rotary



JV Series Actuators

Drawing, dimensions and torques on next two pages

Description

Jomar JV Series rotary pneumatic actuators are designed for use with quarter-turn ball, butterfly and plug valves as well as damper applications. The JV Series actuator is designed for high-cycle applications and can be utilized in hazardous and corrosive environments.

Features

- Hard anodized aluminum body with both internal and external corrosion protection
- Manufactured to fully conform to ISO5211 and DIN3337
- Namur interface mounting of solenoid valves, limit switches and positioners
- Precision honed cylinder surfaces for longer life and low coefficient of friction
- Dual rack and pinion design with multiple bearings and guides
- Blow-out proof output shaft
- Modular type, epoxy coated spring design offers a wide torque range, corrosion resistance and an extended life cycle
- O-ring sealed to prevent outside contamination
- Stainless steel fasteners
- Travel stops are standard on all models
- Manufactured with silicone-free lubricants
- Torque ranges - Double Acting: up to 388,762 in-lb; Spring Return: up to 257,836 in-lb

Model	SQ	ISO	Double Acting Output Torque (in-lb) based on supply pressure (PSI)				Spring Return Output Torque (in-lb) @ 80PSI w/ 11 springs (standard)	
			40	60	80	100	Air Start	Spring End
JV-50	0.43	F03/05	90	135	180	225	109	71
JV-60	0.55	F05/07	183	274	365	457	221	144
JV-70	0.55	F05/07	284	426	567	709	344	223
JV-80	0.67	F05/07	416	625	833	1041	505	328
JV-90	0.67	F05/07	585	878	1170	1483	709	461
JV-100	0.87	F07/10	785	1177	1589	1961	951	618
JV-120	0.87	F07/10	1351	2026	2702	3377	1638	1064
JV-140	1.06	F10/12	1695	2542	3389	4236	2054	1335
JV-160	1.06	F10/12	2767	4150	5533	6917	3354	2179
JV-190	1.42	F14	4552	6827	9103	11379	5518	3585
JV-200	1.42	F14	5719	8579	11438	14298	6934	4504
JV-240	1.81	F16	1132	15197	20263	25329	12284	7979
JV-270	1.81	F16	12709	19064	25418	31773	15409	10009
JV-300	1.81	F16	17832	26747	35663	44579	21620	14043

_ = Must specify style: D = Double Acting, S = Spring Return

Pneumatic Actuator

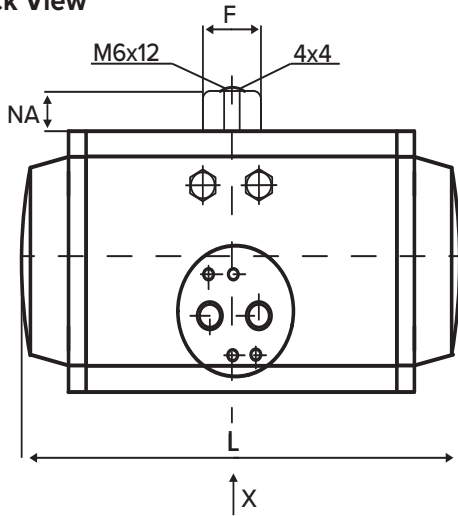
Double Acting and Spring Return Rotary

Page 2

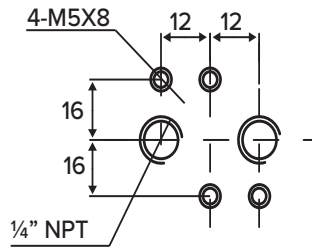
Spring Return - Apply air to Port 'A' to open the valve and leave Port 'B' open to exhaust air.

Double Acting - Air is applied to Port 'A' to open the valve and Port 'B' to close the valve

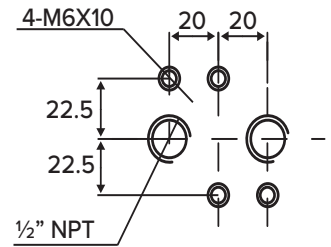
Back View



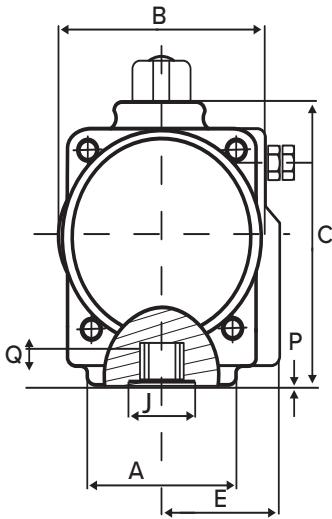
Air Connect
JV-50 - JV-200



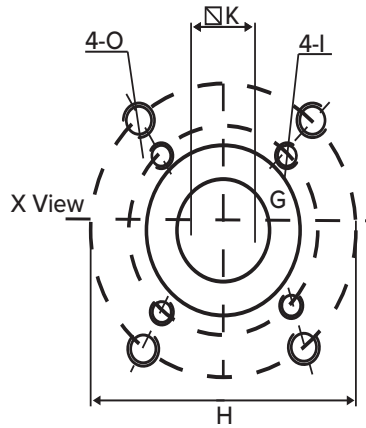
Air Connect
JV-240 - JV-300



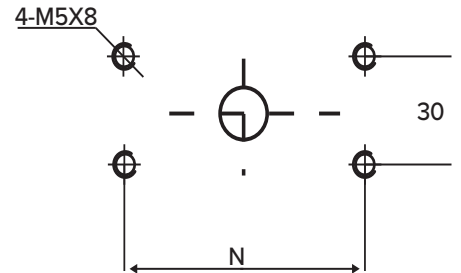
Left Side View



Bottom Mount



Top Mount



Dimensions

Model	A	B	C	E	NA	F	G ISO	G DIA DIM	H ISO	H DIA DIM	I	J	K	L	N	O	P	Q	Air Connection
JV-50	2.05	2.28	2.76	1.61	0.79	1.57	F03	1.42	F05	1.97	M5X8	0.98	0.43	6.30	3.15	M6X10	0.04	0.47	G-1/4"
JV-60	2.52	2.91	3.50	1.89	0.79	1.57	F05	1.97	F07	2.76	M6X10	1.10	0.55	7.56	3.15	M8X13	0.04	0.63	G-1/4"
JV-70	2.68	3.35	3.94	2.05	0.79	1.57	F05	1.97	F07	2.76	M6X10	1.26	0.55	8.58	3.15	M8X13	0.04	0.63	G-1/4"
JV-80	2.68	3.78	4.45	2.20	0.79	1.57	F05	1.97	F07	2.76	M6X10	1.42	0.67	9.37	3.15	M8X13	0.04	0.75	G-1/4"
JV-90	3.74	4.21	4.84	2.56	0.79	1.57	F05	1.97	F07	2.76	M6X10	1.57	0.67	10.75	3.15	M8X13	0.04	0.75	G-1/4"
JV-100	3.78	4.72	5.35	2.76	0.79	1.57	F07	2.76	F10	4.02	M8X13	1.57	0.87	10.79	3.15	M10X16	0.04	0.75	G-1/4"
JV-120	3.78	5.43	6.34	3.15	0.79	2.28	F07	2.76	F10	4.02	M8X13	2.09	0.87	13.19	3.15	M10X16	0.06	0.94	G-1/4"
JV-140	4.65	6.06	7.01	3.54	0.79	2.28	F10	4.02	F12	4.92	M10X16	2.09	1.06	14.57	5.12	M12X20	0.06	1.14	G-1/4"
JV-160	4.65	6.93	7.87	4.06	0.79	2.28	F10	4.02	F12	4.92	M10X16	2.60	1.06	16.85	5.12	M12X20	0.06	1.14	G-1/4"
JV-190	5.35	8.23	9.13	4.41	0.79	2.28	F10	4.02	F14	5.51	M10X16	3.07	1.42	19.21	5.12	M16X25	0.06	1.50	G-1/4"
JV-200	5.51	9.09	10.04	4.80	1.18	3.15			F14	5.51		3.46	1.42	21.65	5.12	M16X25	0.06	1.50	G-1/4"
JV-240	6.50	11.02	11.97	6.10	1.18	3.15			F16	6.50		3.94	1.81	23.54	5.12	M20X28	0.06	1.89	G-1/2"
JV-270	6.50	11.97	12.99	6.57	1.18	3.15			F16	6.50		4.33	1.81	26.46	5.12	M20X28	0.08	1.89	G-1/2"
JV-300	6.85	12.83	13.94	6.89	1.18	3.15			F16	6.50		4.92	1.81	30.87	5.12	M20X28	0.08	1.89	G-1/2"

_ = Must specify style: D = Double Acting, S = Spring Return

