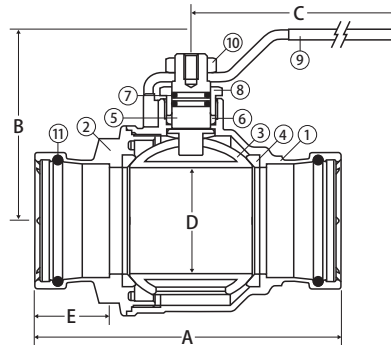


Lead Free Brass Ball Valve

2 Piece, Full Port, Press XLC Connection, Stainless Steel Trim, 200 WOG

JP-100SSG XLC



FEATURES

- Dezincification Resistant Brass Alloy
- Stainless Steel Ball and Stem
- Triple Sealing Stem with 2 FKM O-Rings and PTFE 300 Seal
- Blow-out Proof Stem
- 100% Leak Tested
- 100% Made in Italy
- Leakproof Stem - Lifetime Warranty
- Wetted Surfaces Contain Less Than .25% Lead Content

CERTIFICATIONS/APPROVALS

- Conforms to IAPMO PS 117
- Meets ISO 6509

PRESSURE/TEMPERATURE RATING

- 200 WOG
- MAX. 250°F

MATERIALS

No.	Part	Material
1	Body	Lead Free Brass - C27453
2	End Connection	Lead Free Brass - C27453
3	Ball	316 Stainless Steel
4	Seat (2)	PTFE 300
5	Stem	316 Stainless Steel
6	Packing	PTFE 300
7	Stem O-Ring (2)	FKM
8	Packing Gland	Brass - C38500
9	Handle	Steel - Geomet® Plated
10	Handle Nut	Brass - C38500
11	O-Ring (2)	EPDM
12	O-Ring (2)*	EPDM

DIMENSIONS

Part No	Size	A	B	C	D	E	
100-209XLCSSG	2-1/2"	7.13	4.72	8.00	2.46	1.75	350.32
100-210XLCSSG	3"	8.49	5.31	8.00	2.99	1.92	563.76
100-211XLCSSG	4"	10.79	5.90	9.88	4.00	2.22	879.28