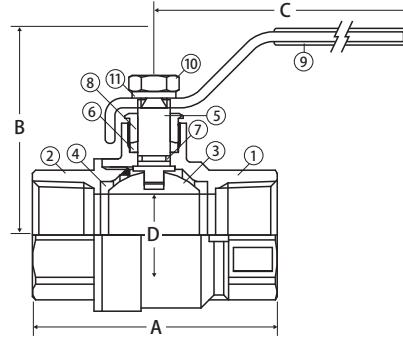


Lead Free Brass Ball Valve

2 Piece, Full Port, Threaded Connection, Stainless Steel Trim, 600 WOG

JF-100TG



FEATURES

- Dezincification Resistant Brass Alloy
- Gland Follower and Single O-Ring Stem Design
- Blow-Out Proof Stem
- 100% Leak Tested
- IAPMO Certified - NSF 61 & NSF 372 Certified
- Wetted Surfaces Contain Less than .25% Content

CERTIFICATIONS/APPROVALS

UL Listed up to 600 PSIG (1/4" - 1"),
300 PSIG (1-1/4" - 2"), 250 PSIG (2-1/2" - 4")

- MHKZ - Manual valves
- YRPV - Gas shut-off valves
- YQNZ - Compressed gas shutoff valves
- YRBX - Flammable liquid shutoff valves
- YSDT - LP gas shutoff valves

IAPMO Certified (1/4" - 4")

- NSF/ANSI/CAN 61-8 2018
- NSF/ANSI 372-2016
- IAPMO/ANSI Z1157-2014
- NSF/ANSI 14-2014

CSA Certified

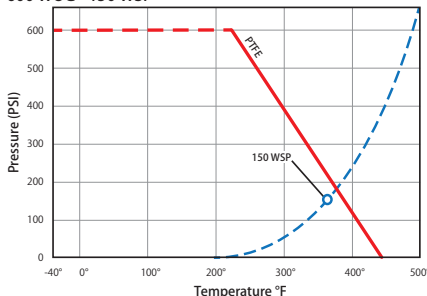
- CGA 3.16 (125 PSIG) (1/4" - 2")
- ANSI Z21.15 (.5 PSIG) (1/4" - 2")
- CGA CR91 (5 PSIG) (1/4" - 2")
- ASME B16.44 (5 PSIG) (1/4" - 2")
- ASME B16.33 (125 PSIG) (1/2" - 2")

MSS SP-110

ANSI B1.20.1

VALVE SEAT RATING

600 WOG - 150 WSP



MATERIALS

No.	Part	Material
1	Body	Lead Free Brass - C46500
2	End Connection	Lead Free Brass - C46500
3	Ball	304 Stainless Steel
4	Seat (2)	PTFE
5	Stem	304 Stainless Steel
6	Packing	PTFE
7	Stem O-ring	Buna-N
8	Packing Gland	Lead Free Brass - C46500
9	Handle	Steel - Chrome Plated
10	Handle Nut	Steel - Chrome Plated
11	Lock Washer	Steel - Chrome Plated

DIMENSIONS

Part No	Size	A	B	C	D	C _v
100-101SSG	1/4"	1.73	1.69	3.35	0.39	7.7
100-102SSG	3/8"	1.73	1.69	3.35	0.39	7.8
100-103SSG	1/2"	2.28	1.81	3.35	0.59	16.8
100-104SSG	3/4"	2.51	2.36	4.29	0.75	34.8
100-105SSG	1"	2.97	2.52	4.29	0.98	52.2
100-106SSG	1-1/4"	3.45	2.52	5.63	1.26	112.5
100-107SSG	1-1/2"	3.87	2.72	5.63	1.57	174
100-108SSG	2"	4.29	3.03	5.63	1.97	255.2
100-109SSG	2-1/2"	5.59	4.25	7.76	2.52	350.3
100-110SSG	3"	6.34	4.92	8.37	2.95	563.7
100-111SSG	4"	7.83	5.85	9.25	3.9	879.3