

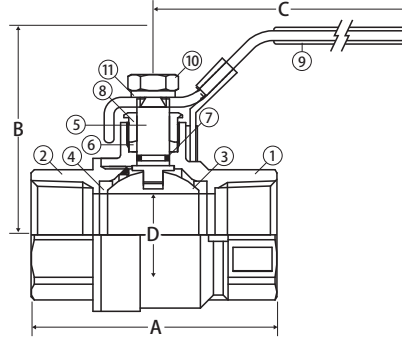
Brass Ball Valve

2 Piece, Full Port, Threaded Connection with Locking Handle, 600 WOG

JF-100T-LH



CRN# OC16654.5



FEATURES

- Gland Follower and Single O-Ring Stem Design
- Latch Locking Handle
- Blow-Out Proof Stem
- 100% Leak Tested

CERTIFICATIONS/APPROVALS

UL Listed up to 600 PSIG (1/4" - 1"), 300 PSIG (1-1/4" - 2"), 250 PSIG (2-1/2" - 4")

- MHKZ - Manual Valves
- YRPV - Gas Shut-Off Valves
- YQNZ - Compressed Gas Shut-Off Valves
- YRBX - Flammable Liquid Shut-Off Valves
- YSDT - LP Gas Shut-Off Valves

CSA Certified

- CGA 3.16 (125 PSIG)
- ANSI Z21.15 (.5 PSIG)
- CGA CR91 (5 PSIG)
- ASME B16.44 (5 PSIG)
- ASME B16.33 (1/2"-2")
- ASME B16.38 (2-1/2"-3")

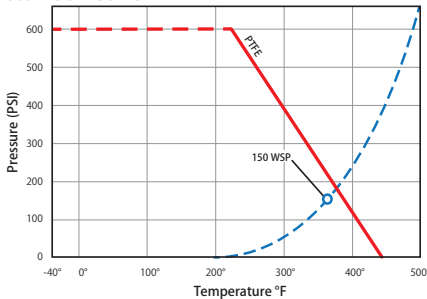
FM Approval (1/4"-2")

MSS SP-110

ANSI B1.20.1

VALVE SEAT RATING

600 WOG - 150 WSP



MATERIALS

No.	Part	Material
1	Body	Brass - C37700
2	End Connection	Brass - C37700
3	Ball	Chrome Plated Brass - C37700
4	Seat (2)	PTFE
5	Stem	Brass - C37700
6	Packing	PTFE
7	Stem O-ring	Buna-N
8	Packing Gland	Brass - C37700
9	Handle	Steel - Chrome Plated
10	Handle Nut	Steel - Chrome Plated
11	Lock Washer	Steel - Chrome Plated

DIMENSIONS

Part No	Size	A	B	C	D	Cv
100-101-LH	1/4"	1.73	2.63	4.49	0.39	7.7
100-102-LH	3/8"	1.73	2.63	4.49	0.39	7.8
100-103-LH	1/2"	2.28	2.69	4.49	0.59	16.8
100-104-LH	3/4"	2.52	2.91	4.86	0.75	34.8
100-105-LH	1"	2.97	3.22	4.86	0.98	52.2
100-106-LH	1-1/4"	3.44	3.45	5.59	1.26	112.5
100-107-LH	1-1/2"	3.88	3.59	5.59	1.57	174
100-108-LH	2"	4.29	3.97	5.59	1.97	255.2
100-109-LH	2-1/2"	5.59	4.88	7.35	2.52	350.3
100-110-LH	3"	6.34	5.25	7.35	2.95	563.7
100-111-LH	4"	7.83	6.1	8.55	3.9	879.3