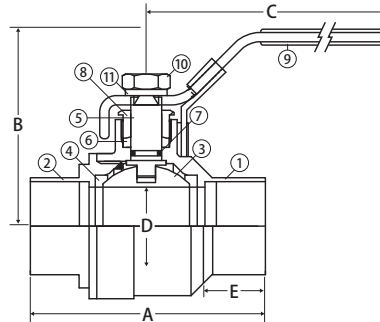


# Brass Ball Valve

2 Piece, Full Port, Solder Connection with Locking Handle, 600 WOG

## JF-100S-LH



### FEATURES

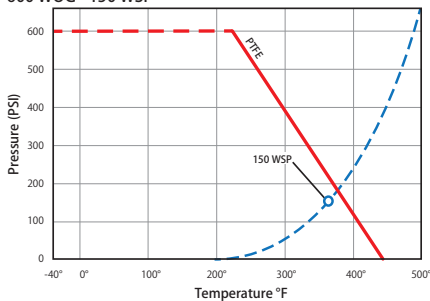
- Gland Follower and Single O-Ring Stem Design
- Latch Locking Handle
- Blow-Out Proof Stem
- 100% Leak Tested

### CERTIFICATIONS/APPROVALS

- UL Listed up to 175 PSI (1/2"-2")
  - MHKZ - Manual Valves
  - YRPV - Gas Shut-Off Valves
- MSS SP-110
- ASME/ANSI B16.18

### VALVE SEAT RATING

600 WOG - 150 WSP



### MATERIALS

No.	Part	Material
1	Body	Brass - C37700
2	End Connection	Brass - C37700
3	Ball	Chrome Plated Brass - C37700
4	Seat (2)	PTFE
5	Stem	Brass - C37700
6	Packing	PTFE
7	Stem O-ring	Buna-N
8	Packing Gland	Brass - C37700
9	Handle	Steel - Chrome Plated
10	Handle Nut	Steel - Chrome Plated
11	Lock Washer	Steel - Chrome Plated

### DIMENSIONS

Part No	Size	A	B	C	D	E
100-113-LH	1/2"	2.17	2.33	4.23	0.59	0.5
100-114-LH	3/4"	2.8	2.91	4.86	0.75	0.75
100-115-LH	1"	3.27	3.22	4.86	0.98	0.86
100-116-LH	1-1/4"	4.1	3.45	5.4	1.26	1.08
100-117-LH	1-1/2"	4.33	3.59	5.4	1.57	0.98
100-118-LH	2"	5.53	3.86	5.4	1.97	1.21
100-119-LH	2-1/2"	6.39	4.88	7.35	2.52	1.48
100-120-LH	3"	7.1	5.25	7.35	2.95	1.66