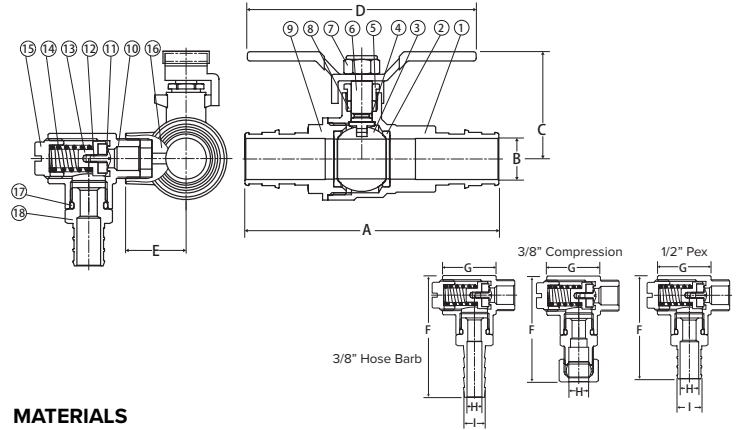


Lead Free Brass Ball Valves

2 Piece, Full Port, Expansion Pex Connection, Stainless Steel Trim, Thermal Expansion Relief, 600 WOG

JF-100RVG EXPANSION PEX



FEATURES

- Dezincification Resistant Brass Alloy
- Side Discharge
- Includes Connections: 3/8" Barb, 1/2" Pex, 3/8" Compression Fittings
- Available in 80, 100, 125 PSI
- IAPMO Certified - NSF 61 & NSF 372 Certified
- IAPMO Certified - CSA B125.3 & IGC128
- Wetted Surfaces Contain Less than .25% Content

CERTIFICATIONS/APPROVALS

- IAPMO Certified
 - ANSI/NSF 61-08
 - ANSI/NSF 372
- Uniform Plumbing Code (cUPC)
 - IAPMO/ANSI Z1157-2014
 - NSF/ANSI 14-2014
- CSA B125.3
- ASTM F1960

MATERIALS

No.	Part	Material
1	Body	Lead Free Brass
2	Seat	PTFE
3	Ball	Stainless Steel
4	O-Ring	FKM
5	Packing Nut	Lead Free Brass
6	Stem	Stainless Steel
7	Handle Nut	Plated Steel
8	Handle	Plated Steel
9	Cap	Lead Free Brass
10	Interface Body	Lead Free Brass
11	Rubber Washer	FKM
12	Screw	Stainless Steel
13	Plug	Lead Free Brass
14	Spring	Stainless Steel
15	Regulating Joint	Lead Free Brass
16	Rubber Washer	FKM
17	O-Ring	FKM
18	Fitting	Lead Free Brass

DIMENSIONS

Part No	Relief Pressure	A	B	C	D	E
104-080RVSSG	80 PSI	3.8	0.61	1.57	3.39	0.91
104-100RVSSG	100 PSI	3.8	0.61	1.57	3.39	0.91
104-125RVSSG	125 PSI	3.8	0.61	1.57	3.39	0.91

RELIEF CONNECTION DIMENSIONS

Part No	F	G	H	I
3/8" Hose Barb	1.95	1.02	0.28	0.42
3/8" Compression	1.65	1.02	0.38	-
1/2" Pex	1.59	1.02	0.35	0.47