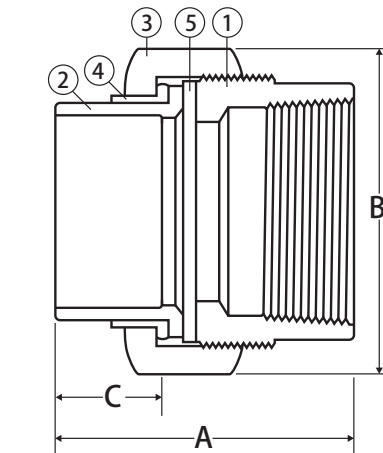
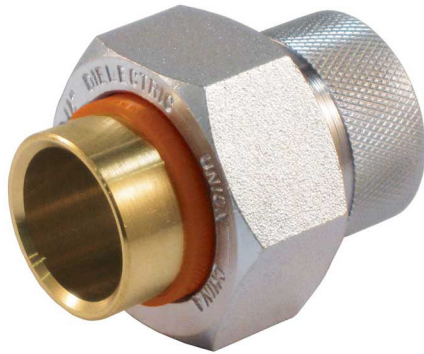


# Dielectric Union

Brass Solder x Galvanized • 250 PSI



Solder x FIP

## Brass Solder x Galvanized

### Features

- Prevents accelerated corrosion
- -20°F to 180°F - Buna Seats

### Approvals

- ANSI B1.20.1
- Solder end ANSI B16.18
- ASSE 1079

### Pressure Rating

- 250 PSI

### Material Specifications

No.	Part	Materials
1	Body	Steel - Zinc Plated
2	Tail Piece	Brass
3	Union Nut	Steel - Zinc Plated
4	Dielectric Ring	Nylon 66
5	Gasket*	Buna-N

### Dimensions

Part No.	Size	A	B	C
<b>Solder x FIP</b>				
701-103	1/2" SWT x 1/2" FIP	1.87	1.61	0.65
701-104	3/4" SWT x 3/4" FIP	2.11	1.83	0.79
701-105	1" SWT x 1" FIP	2.34	2.15	0.86
701-106	1-1/4" SWT x 1-1/4" FIP	2.50	2.59	0.94
701-107	1-1/2" SWT x 1-1/2" FIP	2.79	2.95	1.11
701-108	2" SWT x 2" FIP	3.09	3.75	1.32



**WARNING:** This product can expose you to chemicals including lead, which is known to the State of California to cause cancer, and lead, which is known to the State of California to cause birth defects or other reproductive harm. For more information go to [www.P65Warnings.ca.gov](http://www.P65Warnings.ca.gov).