

Dielectric Union

Black Iron, FIP X FIP, 250 PSI



Black Iron FIP x FIP

Features

- Prevents Accelerated Corrosion
- For Use on Black Pipe
- Suitable for use in gas or water applications
- Buna Seats: -20°F to 180°F

Approvals

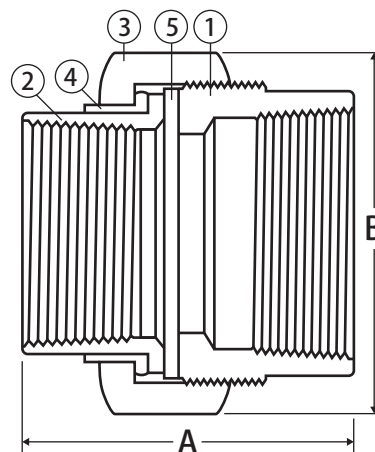
- ANSI B1.20.1
- ASSE 1079

Pressure Rating

- 250 PSI



WARNING: This product can expose you to chemicals including lead, which is known to the State of California to cause cancer, and lead, which is known to the State of California to cause birth defects or other reproductive harm. For more information go to www.P65Warnings.ca.gov.



Material Specifications

No.	Part	Materials
1	Body	Steel - Black Finish
2	Tail Piece	Steel - Black Finish
3	Union Nut	Steel - Black Finish
4	Dielectric Ring	Nylon 66
5	Gasket*	Buna-N

Dimensions

Part No.	Size	A	B
701-403	1/2" FIP x 1/2" FIP	2.14	1.61
701-404	3/4" FIP x 3/4" FIP	2.21	1.83
701-405	1" FIP x 1" FIP	2.54	2.58
701-406	1-1/4" FIP x 1-1/4" FIP	2.73	2.96
701-407	1-1/2" FIP x 1-1/2" FIP	2.73	3.75
701-408	2" FIP x 2" FIP	3.12	4.30