

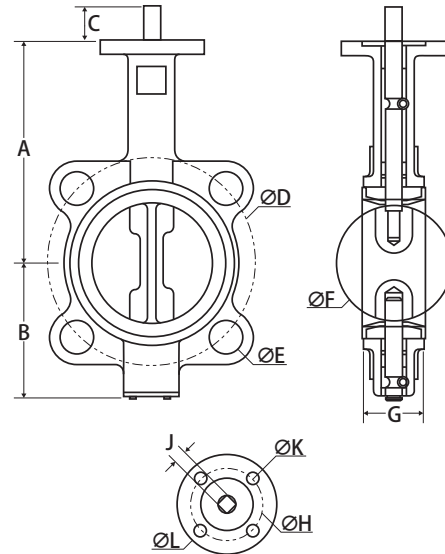
# Butterfly Valve

Wafer Style, Epoxy-Coated Ductile Iron Body, Stainless Steel Disc

## BFV - WAFER



CRN# 0C16661.2



### FEATURES

- Epoxy-Coated Finish
- EPDM, PTFE, Buna-N, or Viton® Seats Available
- Square Stem for Direct Mount
- Ideal for Mounting Pneumatic and Electrical Actuators
- Easily Accepts Actuator with ISO 5211 Mounting Flange
- Seat-to-Flange Seal Eliminates Need for Flange Gaskets
- Designed for Commercial, Industrial, and Potable Water Applications up to 225 PSI
- Wetted Surfaces Contain Less than .25% Lead Content

### CERTIFICATIONS/APPROVALS

- API 609
- MSS SP-67
- NSF 61 / NSF 372: 2" - 24" (EPDM Seat Only)

### MATERIALS

No.	Part	Material
1	Body	Ductile Iron - Epoxy Coated
2	Seat	*Varies*
3	Lower Shaft*	410 Stainless Steel
4	Disc	CF8M Stainless Steel
5	Upper Shaft	410 Stainless Steel
6	Locating Pin (2)	Carbon Steel
7	Bushing (3)	PTFE
8	O-ring (2)	EPDM

Note: 2" - 12" only, 14" - 36" are pin through shaft style

### DIMENSIONS

Part No	Size	A	B	C	D	E	F	G	H	J	K	L	Weight	ISO Type
900-02DS_L	2"	6.34	3.46	1.26	4.74	4 : 0.75	2.07	1.65	1.97	0.35	4 : 0.28	3.03	5.51	F05
900-212DS_L	2-1/2"	6.89	3.82	1.26	5.50	4 : 0.75	2.54	1.77	1.97	0.35	4 : 0.28	3.03	7.05	F05
900-03DS_L	3"	7.13	4.06	1.26	6.00	4 : 0.75	3.10	1.77	1.97	0.35	4 : 0.28	3.03	8.38	F05
900-04DS_L	4"	7.87	4.80	1.26	7.50	8 : 0.75	4.09	2.03	2.76	0.43	4 : 0.35	3.54	10.80	F07
900-05DS_L	5"	8.39	5.31	1.26	8.50	8 : 0.87	4.85	2.17	2.76	0.55	4 : 0.35	3.54	15.43	F07
900-06DS_L	6"	8.90	5.79	1.26	9.51	8 : 0.87	6.13	2.17	2.76	0.55	4 : 0.35	3.54	17.20	F07
900-08DS_B	8"	10.24	7.20	1.61	11.75	8 : 0.87	7.97	2.36	4.02	0.67	4 : 0.47	4.92	29.10	F10
900-10DS_G	10"	11.5	7.99	1.61	14.25	12 : 0.98	9.86	2.64	4.02	0.87	4 : 0.47	4.92	42.33	F10
900-12DS_G	12"	13.27	9.53	1.61	17.01	12 : 0.98	11.87	2.97	4.02	0.87	4 : 0.47	5.51	71.65	F10
900-14DS_G	14"	14.49	10.71	1.77	18.74	12 : 1.14	13.12	2.97	4.02	0.87	4 : 0.47	5.51	91.05	F10
900-16DS_G	16"	15.75	13.11	2.02	21.26	16 : 1.14	15.34	4.02	5.51	1.06	4 : 0.71	6.89	134.48	F14
900-18DS_G	18"	16.61	14.33	2.02	22.76	16 : 1.26	17.34	4.49	5.51	1.06	4 : 0.71	6.89	174.16	F14
900-20DS_G	20"	18.90	15.31	2.53	25.00	20 : 1.26	19.35	5.00	5.51	1.42	4 : 0.71	6.89	282.19	F14
900-24DS_G	24"	22.13	17.83	2.76	29.51	20 : 1.38	23.33	5.94	6.50	1.42	4 : 0.91	10.88	414.47	F16
900-30DS_G	30"	25.98	21.23	2.60	36.00	28 : 1.38	29.30	-	10.00	-*	8 : 0.71	11.81	723.12	-
900-36DS_G	36"	28.35	25.84	4.65	41.34	32 : 1.61	34.04	-	10.00	-*	8 : 0.71	11.81	1571.89	-

\*Stem is round with key, dimensions and drawings available upon request.


WARNING: This product can expose you to chemicals including lead, which is known to the State of California to cause cancer, birth defects or other reproductive harm. For more information go to [www.P65Warnings.ca.gov](http://www.P65Warnings.ca.gov).



**SEAT TEMPERATURE RANGES**

	Size	Buna-N	EPDM	Viton	PTFE
Temperature Range (°F)	2" - 36"	10° to 180°	-30° to 250°	10° to 300°	-20° to 250°
Inline Service (PSI)	2" - 12"	225	225	225	225
	14" - 36"	150	150	150	150

When ordering Butterfly Valves, please specify the <b>seat</b> in the _ space with the following letter designations:	E = EPDM	P = PTFE	V = VITON	B = BUNA
When ordering Butterfly Valves, please specify the <b>handle</b> with the following letter designations:	L = Lever Handle	B = Bare Stem	G = Gear Operator	

 WARNING: This product can expose you to chemicals including lead, which is known to the State of California to cause cancer, birth defects or other reproductive harm. For more information go to [www.P65Warnings.ca.gov](http://www.P65Warnings.ca.gov).