

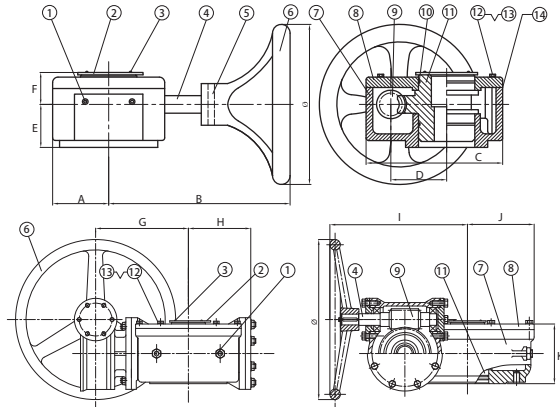
Butterfly Valve Handle

BFV - GEAR OPERATOR



FEATURES

- For use with Lug and Wafer Butterfly Valves
- ISO 5211 bolt pattern
- Hand wheel operated
- Position indicator
- Adjustable travel stops w/locking screw
- Weather resistant
- Square Stem
- Mounting hardware included



MATERIALS

| No. | Part | Material |
|-----|--------------------------|--------------|
| 1 | Screw | Steel |
| 2 | Indicator | L3 |
| 3 | Screw | SS304 |
| 4 | Input Stem | SS410 |
| 5 | Pin | Steel |
| 6 | Handwheel | Cast Iron |
| 7 | Body | Cast Iron |
| 8 | Cover | Cast Iron |
| 9 | Worm | Steel |
| 10 | O-Ring | EPDM |
| 11 | Worm Gear + Stem Coupler | Ductile Iron |
| 12 | Bolt | SS304 |
| 13 | Washer | SS304 |
| 14 | Gasket | SS304 |

SMALL SIZE DIMENSIONS

| Part No | Size | A | B | C | D | E | F | Ø | Gear Ratio | ISO Type |
|----------|---------|------|-------|-------|------|------|------|-------|------------|----------|
| BGO2-3 | 2"-3" | 2.03 | 6.24 | 4.8 | 1.77 | 1.3 | 1.1 | 5.9 | 24:1 | F05 |
| BGO4 | 4" | 2.03 | 6.24 | 4.8 | 1.77 | 1.3 | 1.1 | 5.9 | 24:1 | F07 |
| BGO5-6 | 5"-6" | 2.03 | 6.24 | 4.8 | 1.77 | 1.3 | 1.1 | 5.9 | 24:1 | F07 |
| BGO8 | 8" | 2.83 | 8.19 | 6.65 | 2.48 | 1.57 | 1.42 | 10.95 | 30:1 | F10 |
| BGO10 | 10" | 2.83 | 8.19 | 6.65 | 2.48 | 1.57 | 1.42 | 10.95 | 30:1 | F10 |
| BGO12-14 | 12"-14" | 3.07 | 8.35 | 7.48 | 3.15 | 1.69 | 1.58 | 10.95 | 50:1 | F10 |
| BGO16-18 | 16"-18" | 4.88 | 11.02 | 10.98 | 4.72 | 2.04 | 2.2 | 15.35 | 80:1 | F14 |

LARGE SIZE DIMENSIONS

| Part No | Size | G | H | I | J | K | Ø | Gear Ratio | ISO Type |
|-----------------|------|------|------|-------|------|------|-------|------------|----------|
| BGO20 (2-stage) | 20" | 6.89 | 4.21 | 10.24 | 4.21 | 4.92 | 11.22 | 560:1 | F14 |
| BGO24 (2-stage) | 24" | 7.6 | 5.16 | 11.22 | 5.16 | 5.35 | 15.16 | 640:1 | F16 |