

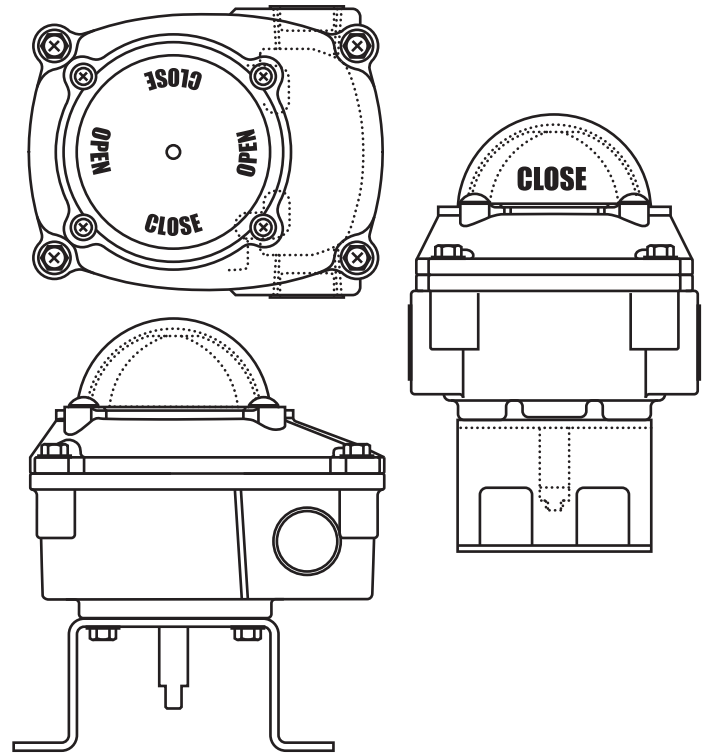
Actuation Accessories



ASM | Limit Switch with Dome Indicator



ASM

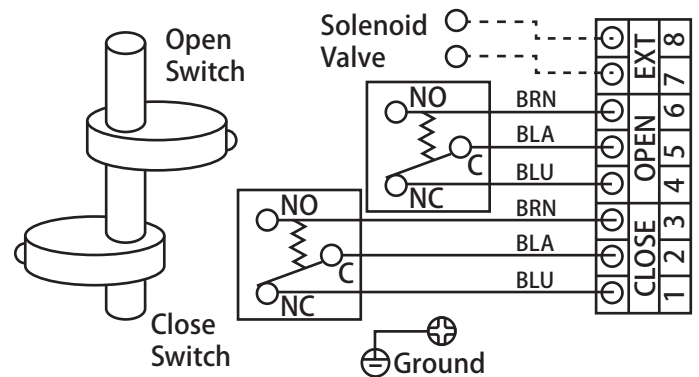


Features

- Die-Cast Aluminum, Epoxy Polyester Coated Housing
- Stainless Steel Mounting Bracket made to NAMUR
- O-Ring Sealed to Prevent Contaminants from Entering Switch Compartment
- Position Indicator Manufactured of High-Impact Polycarbonate: Yellow = Open / Red = Closed
- Mechanical Switches are SPDT Design
- Eight Position Terminal Strip Included
- Enclosure is IP 67 Weatherproof Design
- Two 1/2" NPT Cable Entries

Options

- Explosion proof: EExd IIB T6 and EExd IIC T6
- Switches: Maximum of (4) SPDT mechanical switches
- 2 Proximity switches
- Adjustable mounting bracket



| PART NUMBER | DESCRIPTION |
|-------------|-------------------------------|
| ASM-200 | LIMIT SWITCH, 2 SPDT |
| ASM-400 | LIMIT SWITCH, 4 SPDT |
| ASM-X-200 | EXPLOSION PROOF, EEXED IIB T6 |
| MT1 | ADJUSTABLE BRACKET (NAMUR) |