

Electric Actuator • AE-880-24VAC



Double Acting • Nema 4x • Manual Override



AE-880

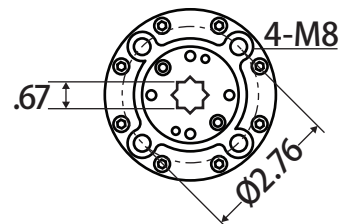
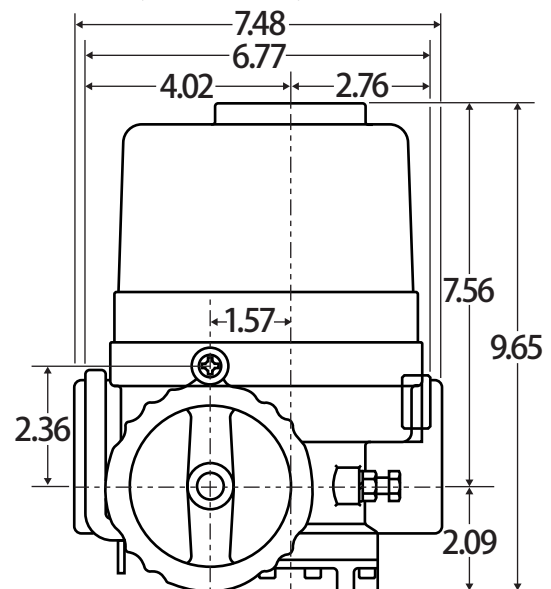
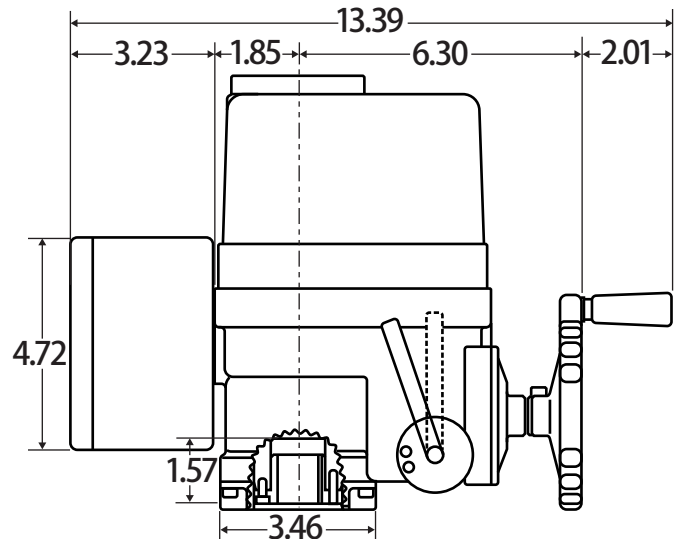
Features

- Hard anodized aluminum housing with external powder coating for severe duty applications
- Enclosure: IP67, NEMA4 and 4X, O-ring sealed
- ISO 5211 mounting
- 90° operation
- Adjustable mechanical stops to prevent over travel
- Position indicator
- De-clutchable manual override standard
- 24VAC
- Thermally protected induction motor
- Double worm gearing, no break required
- Spring loaded terminal block for ease in wiring

Actuator Specs

Torque (in-lbs)	880
Output Square	F07
ISO 5211 Mounting	0.67
IEC Duty Cycle (S2)	Max 30 Min
IEC Duty Cycle (S4)	50%
Operating Time, 90° @ 24VAC (secs)	18
Rated Current @ 24VAC (Amp)(Running/Max)	1.45 / 8.7
Motor Insulation Class	F
Weight (lbs)	21.6
Limit Switches	2 each for Open and Close (SPDT 250VAC/10A rating)
Auxiliary Limit Switches	2 each for Open and Close (SPDT 250VAC/10A rating)
Cable Entry	2 - 3/4" NPT
Internal Htr.	Yes - 5W
Temperature Range	-4° F to 158° F
Torque OL Protection	No

Note: 5" of clearance needed to remove cover



Electric Actuator • AE-880-24VAC



Wiring Diagram

