

Electric Actuator • AE-1400 - 9700

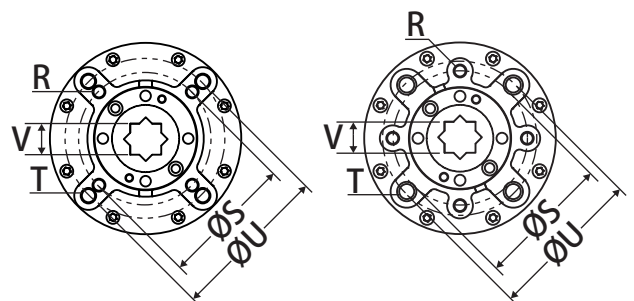
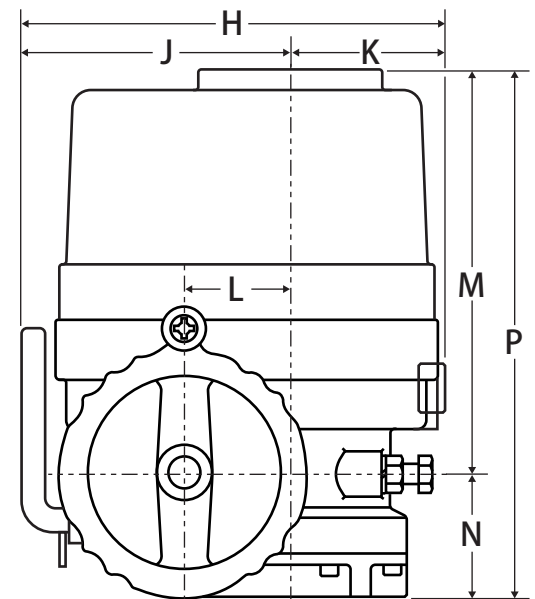
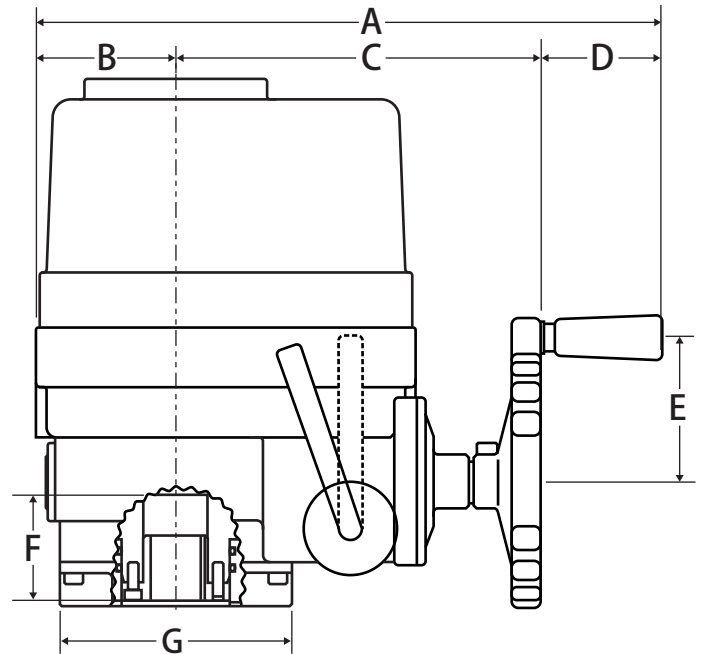


Double Acting • Nema 4x • Manual Override



AE-1400 - 9700

Note: 7.68" of clearance needed to remove cover



AE-1400 - AE-4400

AE-7000 - AE9700

Features

- Hard anodized aluminum housing with external powder coating for severe duty applications
- Enclosure: IP67, NEMA4 and 4X, O-ring sealed
- ISO 5211 mounting
- 90° operation
- Adjustable mechanical stops to prevent over travel
- Position indicator
- De-clutchable manual override standard
- 120V / 1Ph / 60Hz
- Thermally protected induction motor
- Double worm gearing, no break required
- Spring loaded terminal block for ease in wiring

Actuator Specs

	AE-1400	AE-2100	AE-3100	AE-4400	AE-7000	AE-9700
Torque (in-lbs)	1400	2100	3100	4400	7000	9700
Output Square	0.87		1.06		1.42	1.54
ISO 5211 Mounting	F07 / F10		F10 / F12		F12 / F14	
IEC Duty Cycle (S2)	Max 30 min		Max 20 min			
IEC Duty Cycle (S4)	50%, 1200 start/hr		30%, 800 start/hr			
Operating Time, 90° @ 120V (secs)	22		26		32	
Rated current @ 120V (Amp.) (Running/Max)	1.70/2.62	1.72/3.16	1.80/3.16	3.9/5.44	4.2/7.92	4.3/7.92
Motor Insulation Class	F					
Weight (lbs)	33		44		55	
Limit Switches	2 x SPDT - 1 ea for Open & Close (10A, 250VAC)					
Auxiliary Limit Switches	2 x SPDT - 1 ea for Open & Close (10A, 250VAC)					
Cable Entry	2 - 3/4" NPT					
Internal Htr.	Yes - 5W					
Temperature Range	-4° F to 158° F					
Torque OL Protection	2 x SPDT - 1 ea for Open & Close (10A, 250VAC)					

Each actuator **must** be powered through its own individual limit switch or relay contacts to prevent cross feed between two or more actuators. Not doing so will cause damage to the actuators and impact your process control as well as void warranty.

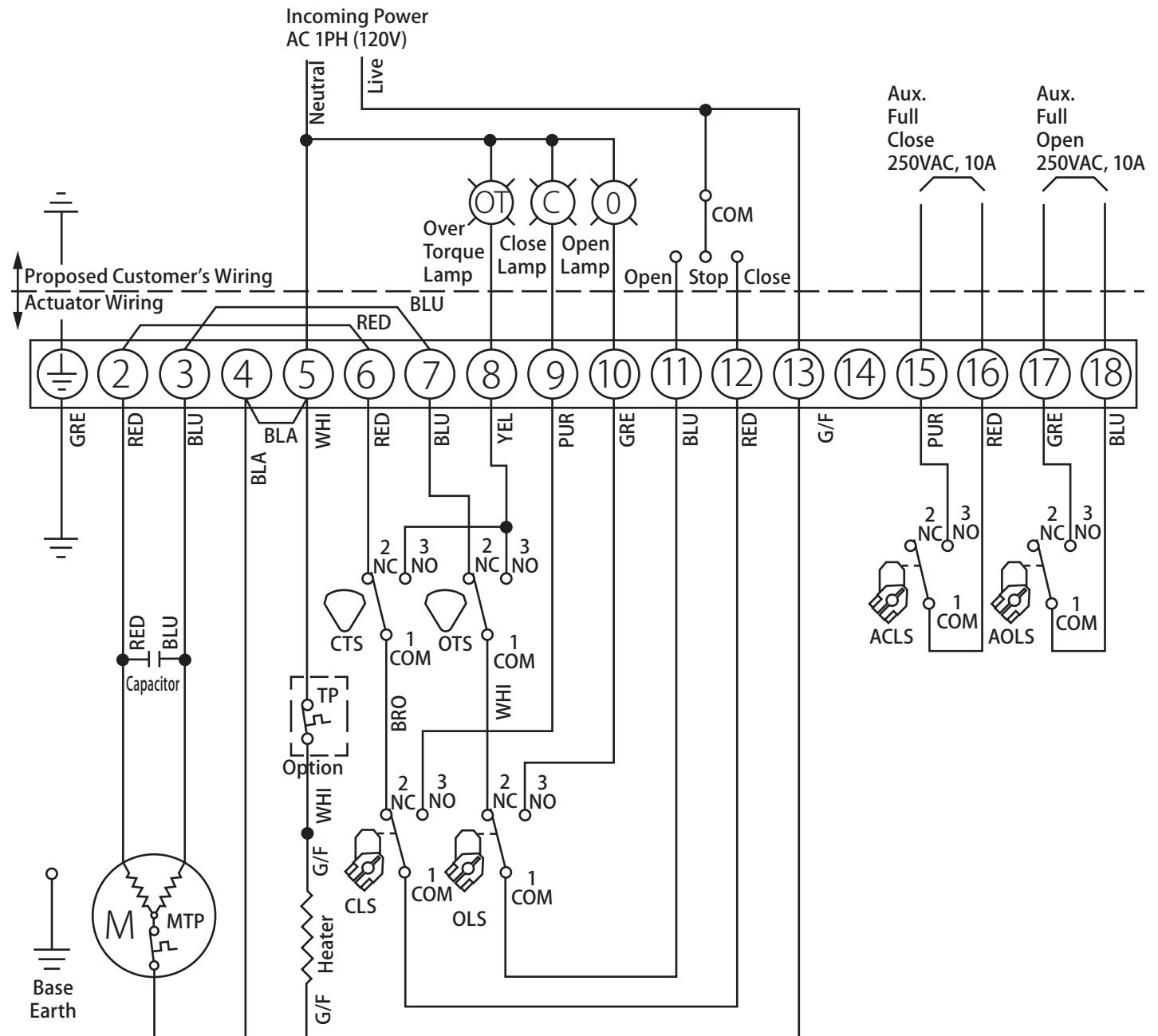
Electric Actuator • AE-1400 - 9700



Dimensions and Wiring Diagram (1400)

Dimensions

Actuator	A	B	C	D	E	F	G	H	J	K	L	M	N	P	R	S	T	U	V
AE-1400	13.31	2.99	7.76	2.56	3.07	2.36	4.92	9.02	5.71	3.31	2.24	8.54	2.64	11.18	4-M8	F07	4-M10	F10	0.87
AE-2100	13.31	2.99	7.76	2.56	3.07	2.36	4.92	9.02	5.71	3.31	2.24	8.54	2.64	11.18	4-M8	F07	4-M10	F10	0.87
AE-3100	14.06	3.07	8.43	2.56	3.54	2.56	5.83	9.45	6.30	3.31	2.64	9.65	2.68	12.32	4-M10	F10	4-M12	F12	1.06
AE-4400	14.06	3.07	8.43	2.56	3.54	2.56	5.83	9.45	6.30	3.31	2.64	9.65	2.68	12.32	4-M10	F10	4-M12	F12	1.06
AE-7000	14.96	3.46	8.94	2.56	4.33	2.76	7.01	11.18	7.05	4.13	3.19	10.43	2.87	13.31	4-M12	F12	4-M16	F14	1.42
AE-9700	14.96	3.46	8.94	2.56	4.33	2.76	7.01	11.18	7.05	4.13	3.19	10.43	2.87	13.31	4-M12	F12	4-M16	F14	1.54



Electric Actuator • AE-1400M - 9700M



Wiring Diagram (1400M)

