

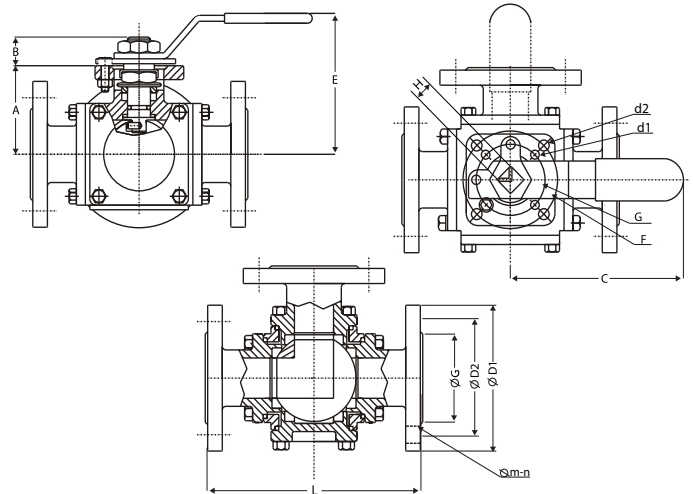
Direct Mount Ball Valve



Stainless Steel, Full Port, T or L Port, 3-Way Flanged Connection, 150 Class



A-766T/L



Features

- AISI 316 Stainless Steel
- ANSI 150 Flanged
- Max Temp: 344°F
- Blow-out Proof Stem
- 100% Leak Tested
- Wetted Surfaces Contains Less than .25% Lead Content
- Contact Jomar Valve for material specs

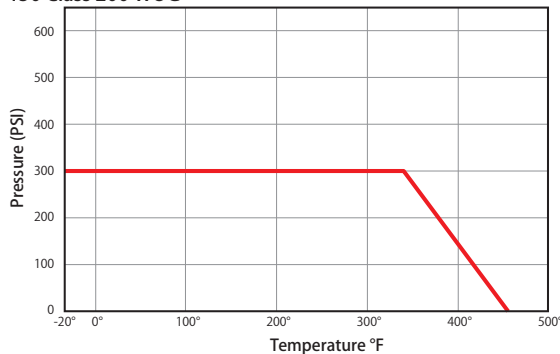
Approvals



- ASME/ANSI B16.5

Valve Seat Rating

150 Class 200 WOG



Flow Options						
Lever Assembly	T-Port			L-Port		
	Position 1					
Position 2						



WARNING: This product can expose you to chemicals including diisononyl phthalate (DINP), which is known to the State of California to cause cancer, and diisononyl phthalate (DINP), which is known to the State of California to cause birth defects or other reproductive harm. For more information go to www.P65Warnings.ca.gov.

Dimensions

Part No.	Size	A	B	C	D1	D2	d1	d2	E	F	G	H	L	M	N
A766T/L-1	1"	2.17	0.55	6.50	4.25	3.13	0.24	0.28	3.50	1.97	1.65	0.43	7.48	0.63	4
A766T/L-114	1-1/4"	2.48	0.67	8.07	4.61	3.50	0.28	0.36	3.86	2.76	1.97	0.55	8.19	0.63	4
A766T/L-112	1-1/2"	2.91	0.63	8.07	5.00	3.88	0.28	0.36	4.25	2.76	1.97	0.55	8.66	0.63	4
A766T/L-2	2"	3.66	0.83	12.80	5.98	4.74	0.36	0.45	5.51	4.02	2.76	0.67	9.96	0.63	4
A766T/L-212	2-1/2"	4.67	0.98	15.75	7.01	5.49	0.43	-	-	-	4.02	0.87	11.81	0.75	4
A766T/L-3	3"	5.37	0.98	19.69	7.48	6.00	0.43	-	-	-	4.02	0.87	12.01	0.75	4
A766T/L-4	4"	6.16	0.98	25.59	9.01	7.50	0.43	-	-	-	4.02	0.87	14.51	0.75	8