

Commercial Lockwing



Utility Gas Ball Valve, Full Port, Service Bypass, Insulated Tailpiece, 175 PSIG



175-LWIBP Commercial

Features

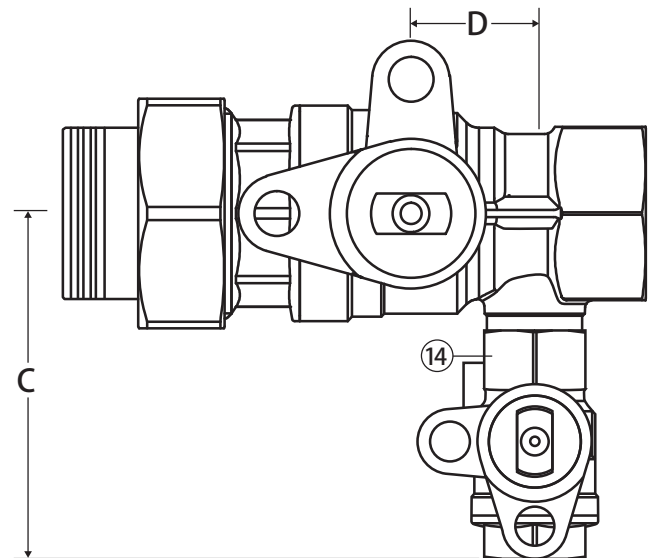
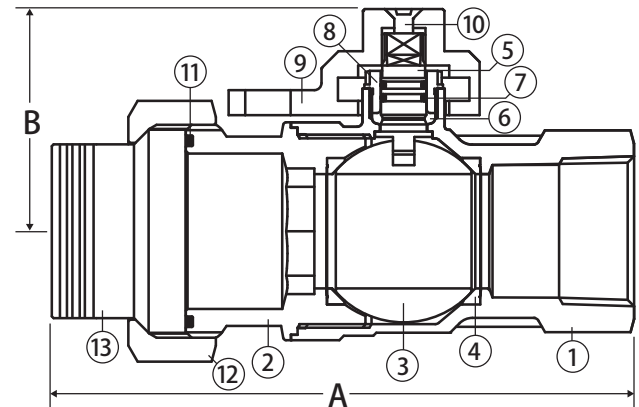
- Tamper Resistant Lockwing Cap
- 2 FKM O-Rings
- 3/4" Bypass Valve
- Full Port Design to Accommodate Industry Leading Stop Changers
- Lockwing Accommodates Standard Barrel Locks
- Maintenance Free Design
- 100% Leak Tested
- 100% Made in Italy
- Leakproof Stem - Lifetime Warranty

Approvals

- Meets or exceeds applicable part of DOT 192 and ANSI B16.33
- MSS SP-110

Pressure Rating

- 175 PSIG
- Temp range: -40°F to 300°F



Material Specifications

No.	Part	Materials
1	Body*	Brass - C37700
2	End Connection*	Brass - C37700
3	Ball	Chrome Plated Brass - C37700
4	Seat (2)	PTFE G300
5	Stem	Brass - C38500
6	Packing	Buna-N
7	Stem O-ring (2)	FKM
8	Packing Gland	Brass - C38500
9	Lockwing Cap*	Brass - C37700
10	Screw	304 Stainless Steel
11	Union O-ring	FKM
12	Union Nut*	Brass - C37700
13	Insulated Tail Piece*	Zytel® / Brass - C37700
14	Bypass Valve*	(See 175-LWN Spec Sheet)

*Components may be TEA coated depending on selection

Dimensions

Part No.	Size	A	B	C	D
243-006_	1-1/4"	6.73	2.47	4.16	1.38

_ = Specify coating: D = Brass, T = T.E.A. Coated

WARNING: This product can expose you to chemicals including lead, which is known to the State of California to cause cancer, and lead, which is known to the State of California to cause birth defects or other reproductive harm. For more information go to www.P65Warnings.ca.gov.