

P352P Series

Electronic Proportional Plus Integral Pressure Controls: Static Pressure (W.C.) and PSI Series

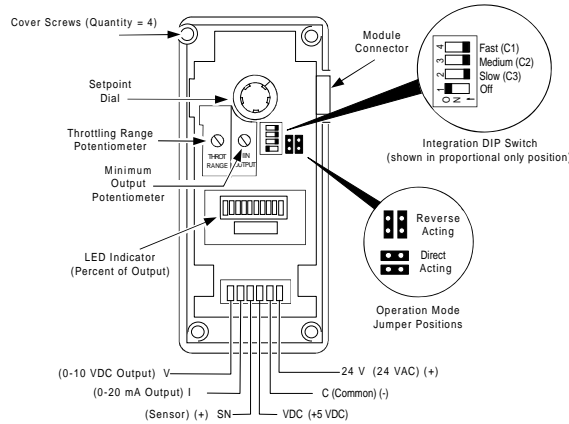
Description

The P352P Electronic Proportional Plus Integral Pressure Control Series has two proportional outputs of 0 to 10 VDC and 0 to 20 mA. Proportional Plus Integral (PI) control is an option to hold setpoint, regardless of load shifts on a system.

Two models cover the pressure ranges of 0.5 to 5 in. W.C. and 0.025 to 0.25 in. W.C., and use the DPT2640 Pressure Transmitters. Three models cover the pressure ranges of 0-100 psi, 90-250 psi, and 240-600 psi, and use the P499 Pressure Transducers. (See Selection Chart). All P352P models can use the Y350R Power Module.

Features

- field selectable proportional only or proportional plus integral control
- surface of DIN rail mounting
- ten segment LED displays percent of output signal
- field selectable reverse/direct acting mode
- minimum output adjustment
- 5-pin connectors eliminate wiring between modules



Interior of P352P



P352P

Applications

- dual static pressure control
- building pressurization
- condenser fan speed control
- damper positioning
- flow valve positioning

Selection Chart

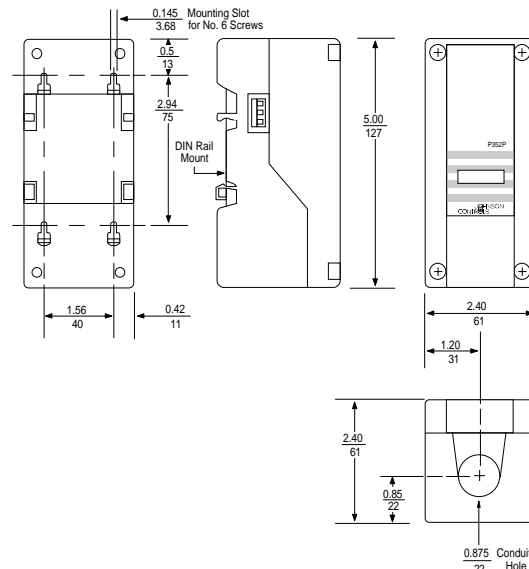
Code Number	Output	Setpoint Range	Throttling Range	Pressure Sensor (Order Separately)	Sensor Input Range	Associated Stage and Display Modules
P352PQ-1C	Proportional Voltage: 0 to 10 VDC	0.5 to 5 in. W.C.		DPT2640-010D	0 to 10 in. W.C.	(No Stage Module) D352CA-1C
P352PQ-2C		0.025 to 0.25 in. W.C.		DPT2640-0R5D	0 to 0.5 in. W.C.	(No Stage Module) D352CA-2C
P352PN-2C	Proportional Current: 0 to 20 mA	0 - 100 psi	5 - 50 psi	P499RAP-101K or P499RCP-101K	0 - 100 psi	S352AA-2C, D352AA-2C
P352PN-3C		90 - 250 psi	10 - 100 psi	P499RAP-105K or P499RCP-105K	0 - 500 psi	
P352PN-4C		240 - 600 psi		P499RAP-107K or P499RCP-107K	0 - 750 psi	

Note: Order the pressure sensor separately. If required, power, stage, and display modules may also be ordered separately.

Technical Specifications

P352P Electronic Proportional Plus Integral Static Pressure Control		
Supply Voltage ¹	Transformer	20 to 30 VAC, 50/60 Hz, Class 2
	Y350R	120/240 VAC, 50/60 Hz
Proportional Output		0 to 10 VDC (550 ohm load minimum) and 0 to 20 mA (600 ohm load maximum).
Minimum Output		Adjustable to 0 to 60% of full output span
Output Indication		A ten segment LED bar graph indicates percentage of output
Control Action		Direct or reverse action is jumper selectable
Power Consumption		3.2 VA
Integration Constant		Three selectable rates C1, C2, C3, and Off position
Ambient Temperature	Operating	-30 to 150°F (-34 to 66°C)
	Shipping	-40 to 185°F (-40 to 85°C)
Ambient Humidity		0 to 95% RH non-condensing
Case and Cover Material		NEMA 1, High-impact thermoplastic

1. Only one input voltage source may be used.



P352P Dimensions, in. (mm)