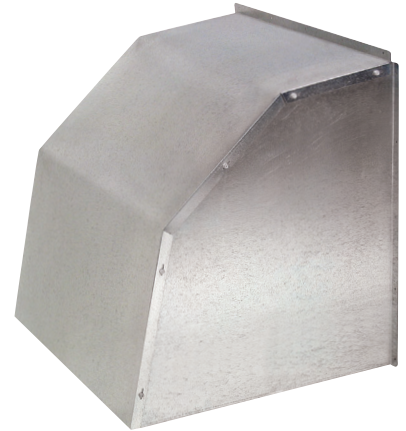


# Weather Hood

Galvanized Weather Hoods from J&D Manufacturing help extend the life of your shutter or fan by protecting your investment against harsh weather and severe wind. Weather Hoods are a perfect fit for J&D's ES Shutter Fans, Twister Fans and Shutters, and will also complement fans and shutters from other manufacturers. Weather Hoods are shipped unassembled with easy step-by-step instructions to save you money on shipping costs.

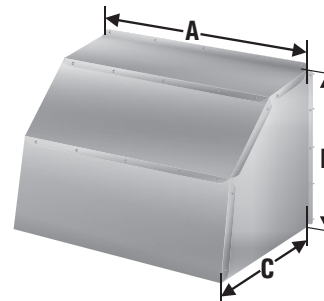
## Features

- Protects your fans and shutters against:
  - Snow
  - Ice
  - Rain
  - Wind
- Multiple sizes to fit almost any shutter or fan
- G90 galvanized steel construction
- Unassembled to save you money on shipping
- Includes assembly hardware and instructions



Part #	Description	A-width	B-height	C-depth
VFT140855	Weather Hood, for 10" & 12" Size Fans	13 <sup>3</sup> / <sub>4</sub> "	13 <sup>7</sup> / <sub>8</sub> "	11 <sup>1</sup> / <sub>2</sub> "
VFT140856	Weather Hood, for 16" Size Fans	18 <sup>7</sup> / <sub>8</sub> "	20"	15 <sup>1</sup> / <sub>2</sub> "
VFT140857	Weather Hood, for 20" Size Fans	22 <sup>3</sup> / <sub>4</sub> "	22 <sup>1</sup> / <sub>2</sub> "	19 <sup>7</sup> / <sub>8</sub> "
VFT140858	Weather Hood, for 24" Size Fans	26 <sup>7</sup> / <sub>8</sub> "	25 <sup>7</sup> / <sub>8</sub> "	24"
VFT140859	Weather Hood, for 30" Size Fans	33"	25 <sup>3</sup> / <sub>4</sub> "	23 <sup>7</sup> / <sub>8</sub> "
VFT140860	Weather Hood, for 36" Size Fans	41 <sup>3</sup> / <sub>4</sub> "	25 <sup>3</sup> / <sub>4</sub> "	24 <sup>1</sup> / <sub>4</sub> "
VFT140861	Weather Hood, for 48" & 50" Size Fans	55 <sup>3</sup> / <sub>4</sub> "	25 <sup>3</sup> / <sub>4</sub> "	23 <sup>3</sup> / <sub>4</sub> "
VFT140862	Weather Hood, for 54" Size Fans	55 <sup>1</sup> / <sub>2</sub> "	25 <sup>3</sup> / <sub>4</sub> "	24"

All VFT140 series of weather hoods have 1" mounting flanges



**Protect your fan or shutter**

# Poly Weather Hood

When paired with the appropriate size inlet, J&D's incredibly durable Poly Weather Hood will help to reduce the infiltration of gusting winds and precipitation through your inlet. Purposely designed with a matte black finish, the Poly Weather Hood also minimizes the quantity of reflected light entering through inlets.

## Features

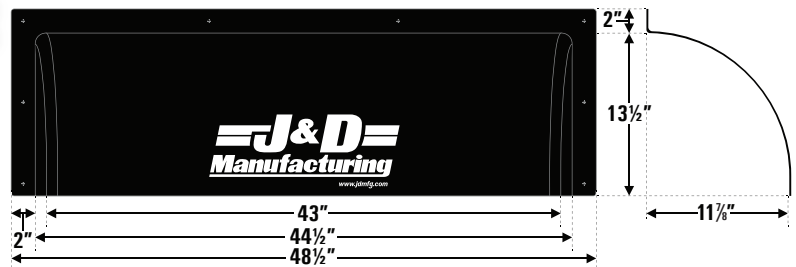
- Made from **HIPS** (high impact polystyrene)
- Coated with **Korad™** (UV protective acrylic film) to make it virtually UV indestructible as well as, detergent, mildew, and fungus resistant
- Wide mounting flange with indicator dimples to mark recommended mounting fastener locations (mounting hardware not included)
- Strong, yet economical
- Matte black finish
- **5 Year Warranty**
- Optional fitted bird mesh available

**UV Protected Durable Poly**



INLETS

Part#	Description
VFTP1344B	Weather Hood, Black HIPS with Korad™
<b>Accessories</b>	
VFTP1344BBD	Bird Mesh, Poly Weather Hood, w/Hardware



**⚠ WARNING:** This product can expose you to chemicals including lead, which is known to the State of California to cause cancer and birth defects or other reproductive harm. For more information go to [www.P65Warnings.ca.gov/product](http://www.P65Warnings.ca.gov/product).