

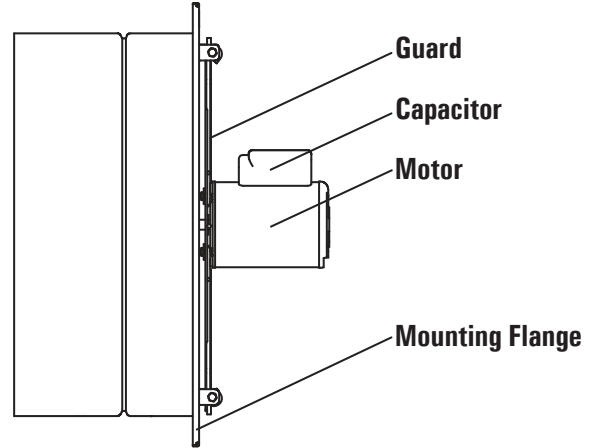
J&D Manufacturing

TWISTER DAMPER FAN

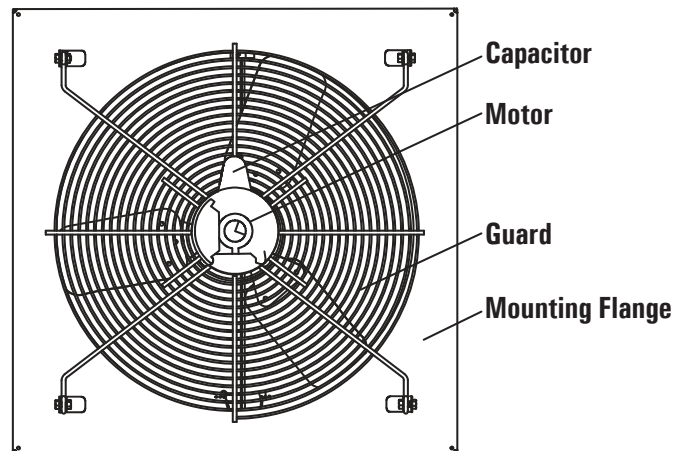


PRODUCT LEGEND

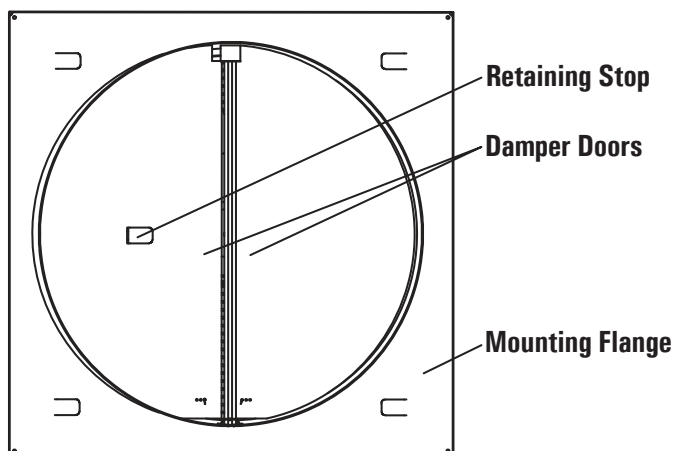
SIDE VIEW



BACK VIEW



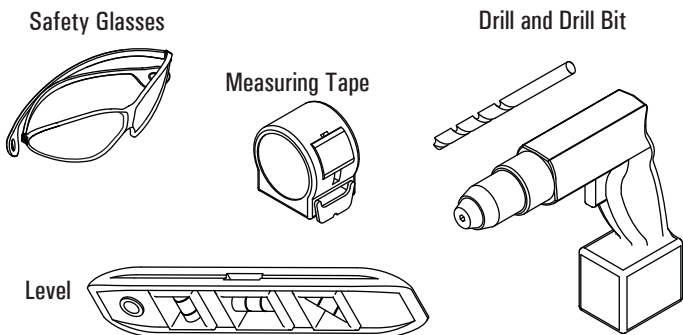
FRONT VIEW



WARRANTY

J&D Manufacturing warrants all products are free from defects in materials and workmanship under normal use for the period of one year from date of purchase. Our warranty does not cover normal or regular wear and tear. J&D Manufacturing can repair or replace at our option, any product or part of the product that is found to be defective. Our warranty applies to materials only, and does not include return freight, delivery, loss or damage to personal property, cost of removal or installation, any incidental or consequential damages or labor. This warranty does not apply to products which are misused, abused, altered, improperly installed or subject to negligence. All warranties must be approved through our warranty department. The original purchaser must present a copy of the invoice for the defective product. One year is our standard warranty unless specified on our literature or in the installation instructions or user manuals.

RECOMMENDED TOOLS FOR INSTALLATION (NOT PROVIDED)



INSTALLATION HARDWARE IS NOT PROVIDED

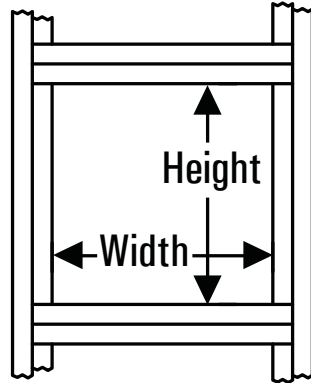
Use appropriate fasteners and washers for your structure.

INSTALLATION

Please read over all instructions carefully before you begin. If you have any questions please call your local dealer, or contact J&D Manufacturing at 1-800-998-2398.

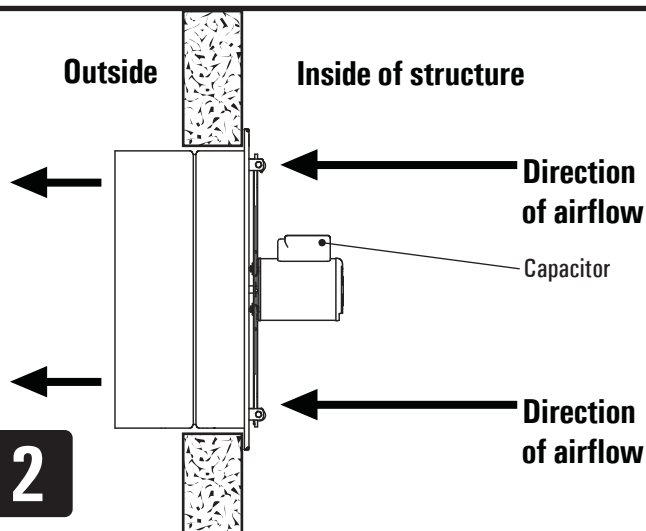
Construct a structurally sound rough opening for your fan.

Fan Size	Height	Width
12"	13 $\frac{3}{4}$ "	13 $\frac{3}{4}$ "
16"	18"	18"
20"	21 $\frac{1}{2}$ "	21 $\frac{1}{2}$ "
24"	25 $\frac{1}{4}$ "	25 $\frac{1}{4}$ "



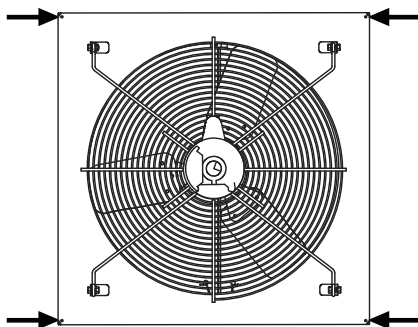
1

Insert exhaust fan into finished opening. Exhaust fan must be mounted with the motor inside of structure, protected from the weather, and with capacitor on top as shown.



2

Using appropriate hardware (not provided) for your structure and the weight of your exhaust fan, secure the fan to your structure using the (4) pre-drilled holes on the mounting flange.



3

POWERING UNIT

ALL ELECTRICAL WORK SHOULD BE COMPLETED BY QUALIFIED PERSONNEL AND MEET NATIONAL, REGIONAL AND LOCAL CODES.

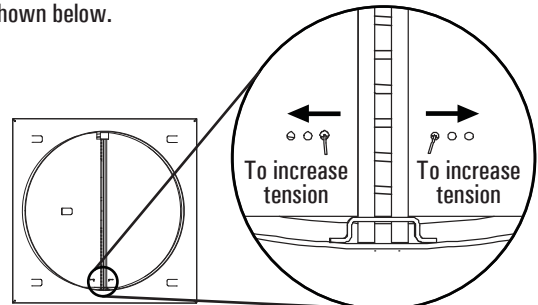
- Install manual disconnect switch inside building adjacent to fan per national, regional, and local electrical codes.
- Route wire to motor with drip loop and secure. Drip loop will drain accumulated moisture away from the motor.
- Configure internal wires to match supply voltage and wire according to motor nameplate. Test to verify correct rotation.
- Only permit power to unit when shutter and guard is fully installed to prevent injury.

4

Separate variable speed control is required to adjust fan speed. Contact your dealer for more information.

MAINTENANCE INSTRUCTIONS

- Disconnect power before cleaning or maintaining your fan in order to prevent serious injury or death.
- Service and repair of fan should only be completed by a qualified technician.
- For maximum efficiency and fan life, keep the following free from dirt and dust:
 - blades
 - housing
 - damper doors, hinges and return springs
 - motor
 - guard
- Lubricate damper door hinge with graphite only - DO NOT USE OIL
- The totally enclosed air over motor has sealed ball bearings and does not require additional lubrication.
- After continual use, the damper door springs may lose tension. Adjustment may be made by moving spring hook to different hole as shown below.



**J&D
Manufacturing**

6200 Hwy 12 • Eau Claire, WI 54701 • 1-800-998-2398

Visit our website at www.jdmfg.com