

J&D Manufacturing

TUBE VENTILATION SYSTEM

TUBE ATTACHMENT AND HANGING

SLIDE OPEN END OF TUBE OVER
ROUND END OF FAN FRAME.

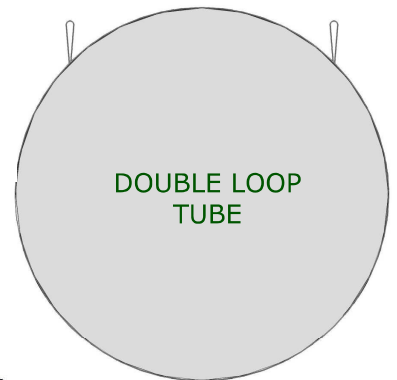
GROMMETS ARE INSTALLED IN THE
LOOP AT THE TOP OF THE TUBE FOR
CONVENIENT HANGING.

(FOR INSTALLATIONS USING J&Ds
CABLE SUPPORT KITS PROCEED TO
THE NEXT PAGE.)

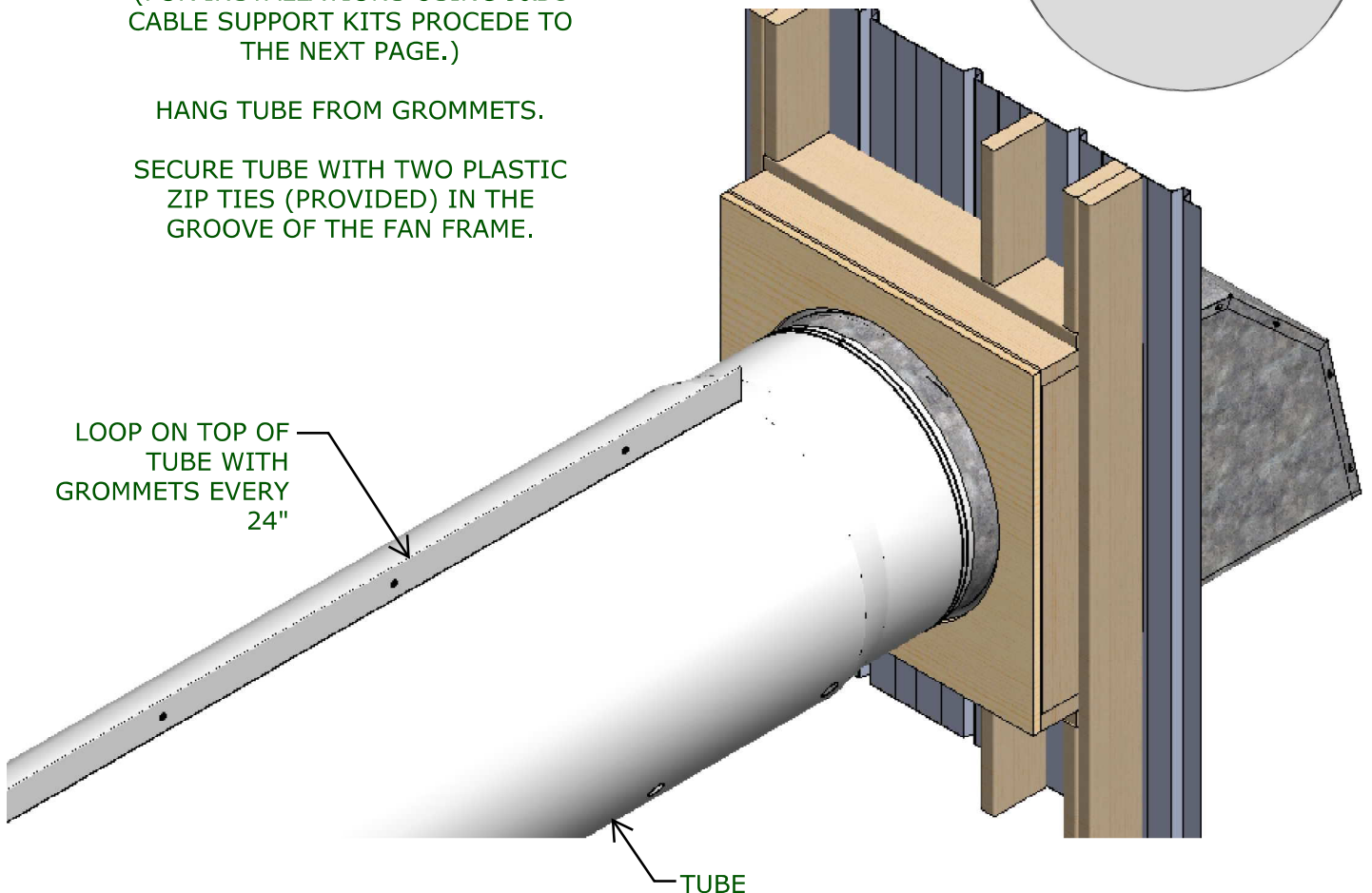
HANG TUBE FROM GROMMETS.

SECURE TUBE WITH TWO PLASTIC
ZIP TIES (PROVIDED) IN THE
GROOVE OF THE FAN FRAME.

DOUBLE LOOP
TUBES HAVE
GROMMETS IN
BOTH LOOPS



LOOP ON TOP OF
TUBE WITH
GROMMETS EVERY
24"



J&D Manufacturing

TUBE VENTILATION SYSTEM TUBE ATTACHMENT WITH CABLE SUPPORT KIT

SECURE EYE BOLT TO FRAMING ABOVE EACH LOOP IN TUBE.

UNSCREW BOTH HOOK AND EYE ENDS OF TURNBUCKLE TO MAKE THE ASSEMBLY AS LONG AS POSSIBLE.

RUN WIRE THROUGH EYE END OF TURNBUCKLE AND ATTACH WIRE TO ITSELF WITH WIRE CLIP (SNUG FIT ONLY).

SLIDE WIRE THIMBLE INTO LOOP (AS SHOWN). SLIDE WIRE CLIP TOWARD THIMBLE UNTIL ASSEMBLY IS TIGHT.

TIGHTEN NUTS ON WIRE CLIP.

HOOK TURNBUCKLE INTO EYE BOLT.

FOLLOW THE SAME PROCESS ON THE OPPOSITE END OF THE TUBE. FEED THE WIRE THROUGH THE EYE BOLT INSTEAD OF A TURNBUCKLE.

TWIST TURNBUCKLE UNTIL WIRE IS TAUT.

HANG TUBE FROM WIRE WITH HARDWARE OR ZIP TIES (NOT PROVIDED)

SECURE TUBE WITH TWO PLASTIC ZIP TIES (PROVIDED) IN THE GROOVE OF THE FAN FRAME.

PROVIDED HARDWARE



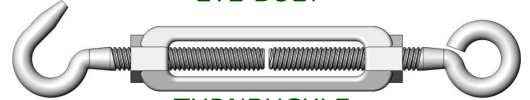
WIRE THIMBLE



WIRE CLIP



EYE BOLT



TURNBUCKLE

