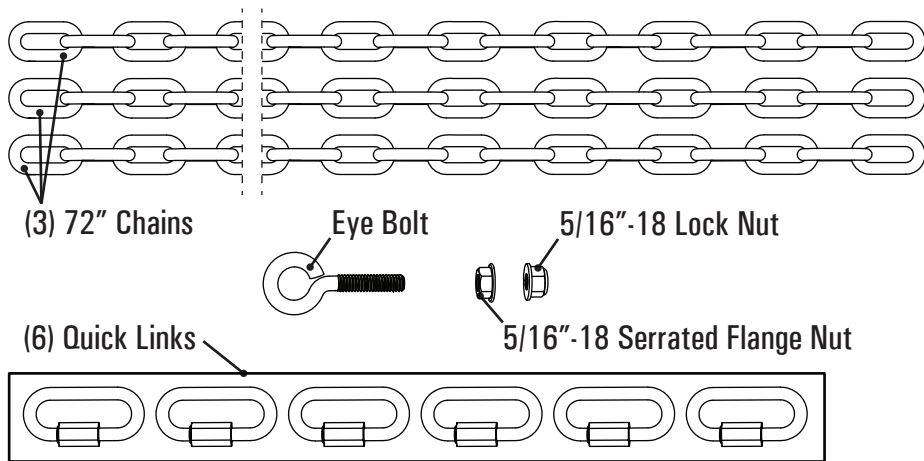


CHAIN KIT FOR SUSPENDING PANEL FAN

INSTALLATION

Please read over **ALL** instructions carefully before you begin.
If you have any questions please call your local J&D reseller,
or contact J&D Manufacturing at 1-800-998-2398.

PARTS LEGEND



RECOMMENDED TOOLS & SUPPLIES

FOR INSTALLATION AND ASSEMBLY (NOT PROVIDED)

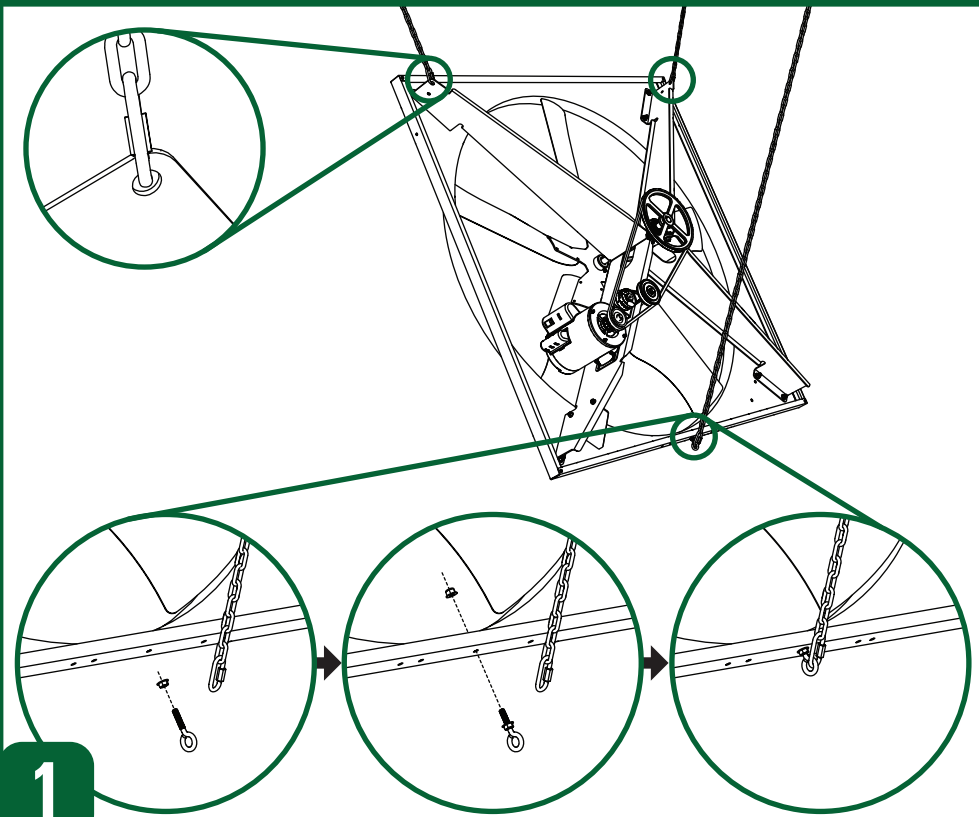
- Safety Glasses
- 5-16" Nut Driver
- Impact Driver

NOTICE

For optimum control and adjustability J&D Manufacturing's recommended method of installing a panel fan is to utilize a rigid mount. A less desirable though sometimes unavoidable option is suspending your panel fan by chains. The following diagrams are recommended guidelines for suspending a panel fan with chains in an effort to decrease sway and direct airflow.

Attaching Chains to Fan:

- Using a quick link secure a chain to the each corner of the upper x-frame, as shown below
- Thread the 5/16"-18 serrated flange nut (flange facing outward) all the way to the eye of the eye bolt, as shown below
- Insert eye bolt shaft into center hole in the bottom of the fan housing and secure with 5/16"-18 lock nut, as shown below
- Tighten lock nut until serrated flange nut is snug against the fan and there is no space or allowable movement
- Attach chain to eye bolt with a quick link, as shown below



Guidelines For Suspending Panel Fan With Chains:

- Use measurements and diagrams below as your guide to properly suspend a panel fan with chains in an effort to decrease sway and direct airflow
- Additional quick links (1 per chain) are provided to further assist in installation
- All provided hardware is rated to handle the weight of the panel fan at their intended use only
- Mounting location and any additional hardware, cables, chains, (not included) must be able to withstand the weight of the model fan you purchased
- OSHA (Occupational Safety and Health Administration) requires these fans to be mounted at a minimum height of 7'

