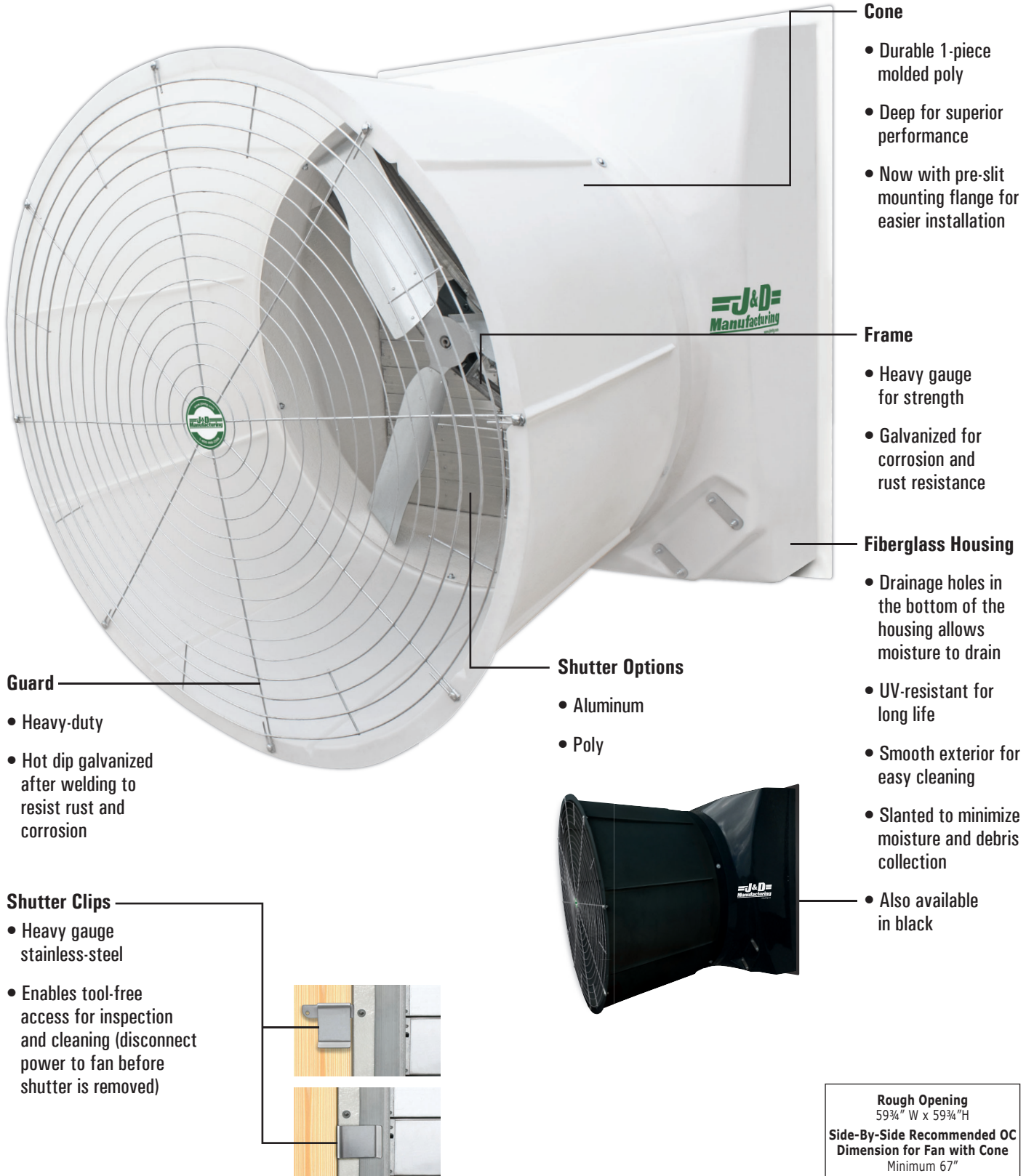


Storm Series of Fans

55" Fiberglass Exhaust Fans

EXHAUST FANS



- Cone**
- Durable 1-piece molded poly
 - Deep for superior performance
 - Now with pre-slit mounting flange for easier installation

- Frame**
- Heavy gauge for strength
 - Galvanized for corrosion and rust resistance

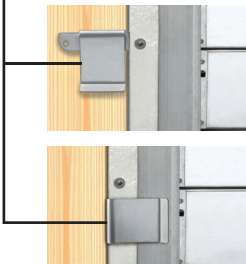
- Fiberglass Housing**
- Drainage holes in the bottom of the housing allows moisture to drain
 - UV-resistant for long life

- Guard**
- Heavy-duty
 - Hot dip galvanized after welding to resist rust and corrosion

- Shutter Options**
- Aluminum
 - Poly

- Smooth exterior for easy cleaning
- Slanted to minimize moisture and debris collection
- Also available in black

- Shutter Clips**
- Heavy gauge stainless-steel
 - Enables tool-free access for inspection and cleaning (disconnect power to fan before shutter is removed)



Rough Opening
59³/₄" W x 59³/₄" H
Side-By-Side Recommended OC
Dimension for Fan with Cone
Minimum 67"

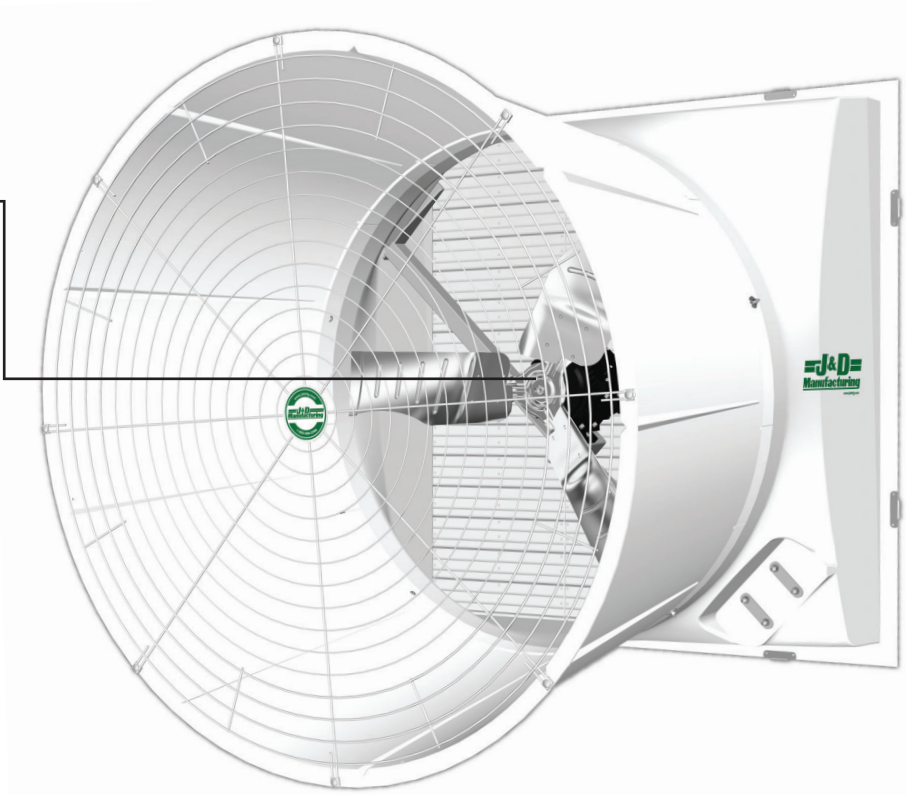
⚠ WARNING: This product can expose you to chemicals including chromium, which is known to the State of California to cause cancer and birth defects or other reproductive harm. For more information go to www.P65Warnings.ca.gov/product.

Direct Drive Storm

Prop

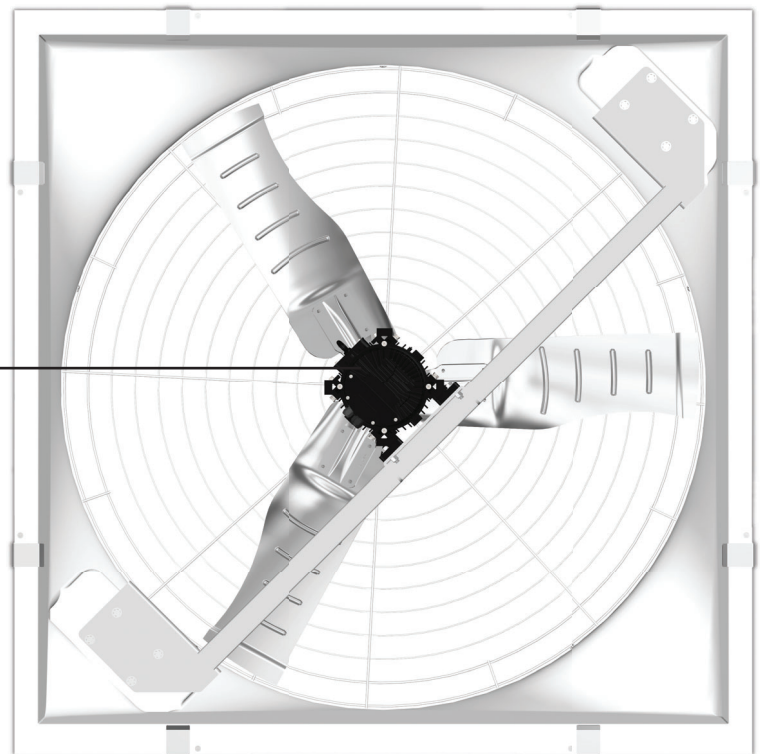
- 3-blades
- Galvanized for corrosion-resistant
- Aerodynamic embossing for increased rigidity to minimize flex and improve blade performance

**Variable Speed,
No VFD
Needed**



JD-Drive Motor

- PM Direct Drive, efficient 2.2kW motor
- Internal Motor Drive - no VFD needed
 - Provides soft starts
 - Enables variable speed
 - Allows for precise and uniform speed control
- Surge protection
- Locked rotor protection
- Overload protection
- Thermal foldback protection
- IP66-Rated
- Industrial aluminum housing
- Will not interfere with RFID
- **3 Year Warranty**



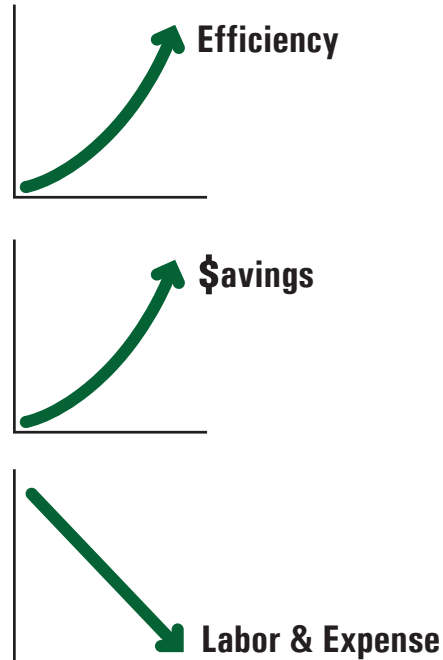
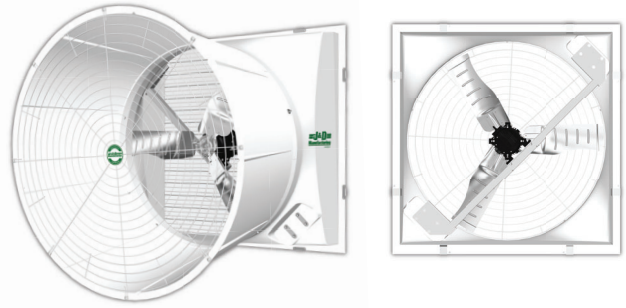
Shown with shutter removed
(Never permit power to fan with shutter removed)

⚠WARNING: This product can expose you to chemicals including chromium, which is known to the State of California to cause cancer and birth defects or other reproductive harm. For more information go to www.P65Warnings.ca.gov/product.

Direct Drive Storm

EXHAUST FANS

Part #	Sz	Spd	@ 0.10" SP			Drive	Prop	
			CFM	Watt	FEI			
Single Phase								
Aluminum Shutter								
VSA55G3CPM221AG-SL	55"	1/V^	100%	31,813	17.1	2.00	PM-D	3-Glv
			90%	27,994	19.9	2.34		
			80%	24,160	23.8	2.84		
			70%	19,709	27.0	3.26		
			60%	14,773	29.9	3.72		
Poly Shutter								
VSP55G3CPM221AG-SL	55"	1/V^	100%	30,891	16.1	1.88	PM-D	3-Glv
			90%	26,346	18.2	2.15		
			80%	22,167	20.7	2.48		
			70%	17,076	22.2	2.70		
Three Phase								
Aluminum Shutter								
VSA55G3CPM223BG-SL	55"	1/V^	100%	31,370	17.1	2.00	PM-D	3-Glv
			90%	27,843	20.5	2.41		
			80%	23,700	23.7	2.82		
			70%	19,708	28.2	3.39		
* VSA55G3CPM223CG-SL	55"	1/V^	100%	31,469	17.5	2.04	PM-D	3-Glv
			90%	27,735	20.2	2.38		
			80%	23,723	23.4	3.24		
			70%	19,327	26.8	3.24		
			60%	14,969	30.2	3.69		
Poly Shutter								
VSP55G3CPM223BG-SL	55"	1/V^	100%	30,577	16.3	1.90	PM-D	3-Glv
			90%	26,516	18.8	2.22		
			80%	22,242	21.2	2.22		
			70%	17,193	22.8	2.79		
VSP55G3CPM223CG-SL	55"	1/V^	100%	30,974	16.4	1.92	PM-D	3-Glv
			90%	26,701	18.5	2.19		
			80%	21,823	20.3	2.44		
			70%	17,438	22.5	2.72		



* Experts choice

^ Variable speed fans require separate variable speed control to adjust fan speed.

Bold red text is data based on testing performed by an accredited lab using ANSI/AMCA 210-07 standard.

Direct Drive Storm Conversion Kit

Already have a Belt Drive Storm?

Easily and affordably upgrade your Belt Drive Storm to the Direct Drive Storm today and start reaping the benefits

Incredible energy savings

- Slow down a Direct Drive Storm by only 10% and **save 25% on electricity** while still getting 27,735 CFM @ 0.10" SP
- Slow down a Direct Drive Storm by 30% and **save 62% on electricity** and still achieve an incredible 19,327 CFM @ 0.10" SP

Variable Speed

- No VFD needed
- Greater control
- Savings

Maintenance-Free

- No belts
- No pulleys
- No greasing

⚠ WARNING: This product can expose you to chemicals including chromium, which is known to the State of California to cause cancer and birth defects or other reproductive harm. For more information go to www.P65Warnings.ca.gov/product.

Direct Drive Storm Conversion Kit

Make the Change

Simple and easy
Upgrade what you have

Everything to Gain

Improved performance
Precise control

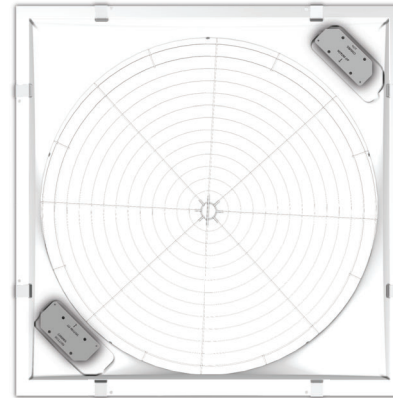
Nothing to Maintain

No belts
No pulleys
No greasing

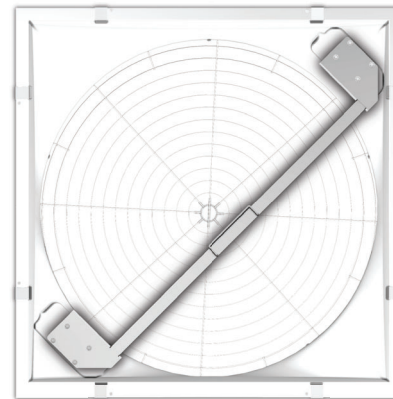


JD-Drive Motor
IMPROVED
Now IP66 rated &
increased efficiency

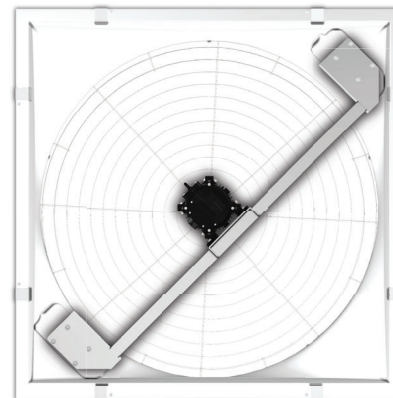
3 Year Warranty



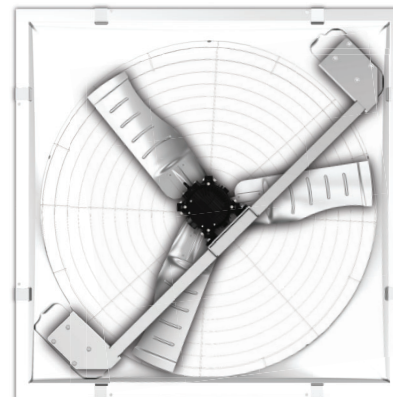
Remove belt drive H-frame, motor, prop, and pulleys



Use drilling template to create new mounting holes



Install new frame



Attach JD-Drive motor to frame

Secure prop to JD-Drive motor shaft

Part #	Spd	Drive	Prop
Single Phase			
VRJ55G3PM221AG	1/V [^]	PM-D	3-Glv
Three Phase wired for 190-240V			
VRJ55G3PM223BG	1/V [^]	PM-D	3-Glv
Three Phase wired for 380-460V			
VRJ55G3PM223CG	1/V [^]	PM-D	3-Glv
Template Kit			
HK225	Drill Templates, BD to DD Retrofit		

[^] Variable speed fans require separate variable speed control to adjust fan speed.

⚠ WARNING: This product can expose you to chemicals including chromium, which is known to the State of California to cause cancer and birth defects or other reproductive harm. For more information go to www.P65Warnings.ca.gov/product.