



Actuated Air Inlets INSTRUCTION MANUAL

Dual Stream and Single Stream Models

IS158

Parts List:

- 1) White PVC plastic frame with insulated PVC baffle doors.
- 2) 2 - stainless steel suspension cables with plastic nut and bolt (for Dual Stream models)

Note: PFAI4300 has 2 suspension drops per door

- 3) Plastic insulation stop
- 4) Hex head stainless steel mounting screws

MODELS

DUAL STREAM • Rough Opening

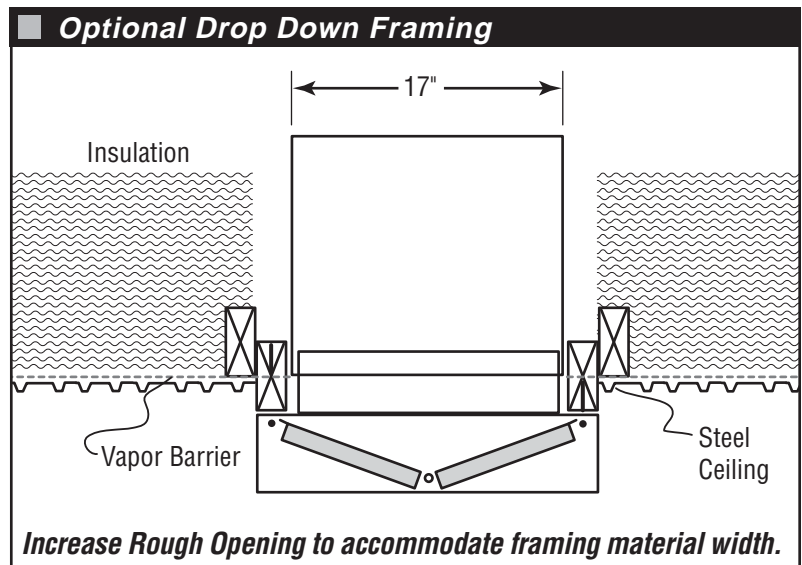
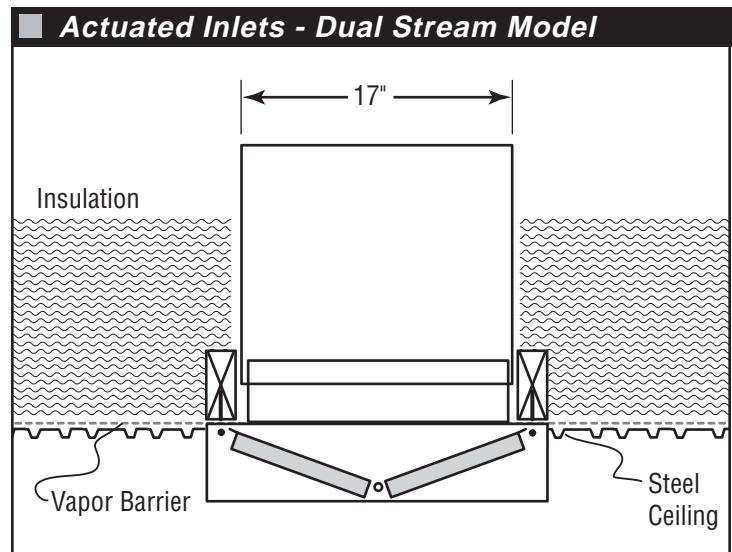
PFAI1600	17" x 17"
PFAI2000	17" x 24"
PFAI3400	17" x 36"
PFAI4300	17" x 46"

SINGLE STREAM • Rough Opening

PFAI800	8 1/4" x 17"
PFAI1000	8 1/4" x 24"

Installation: Dual Stream shown

- Do not install directly above feeders as condensation can occur in extreme cold weather and condensation may drip.
- 1) Mount inlets in straight line so continuous stainless steel rod that operates them runs straight.
 - 2) Frame in ceiling opening according to dimensions given. If optional drop down framing system is used (this is the best way) add the drop down framing dimensions for the ceiling rough opening. Example: If 2x4 material is used . . . add 3" to rough opening.
 - 3) If mounting inlet flush to ceiling, mount inlet on flat part of steel. Do not mount on top of ribs of steel or inlet may not be seated square. Or, use optional drop down framing system, see drawing.
 - 4) Place inlet in opening and countersink a 1/4" hole where eye-bolt protrudes into framing. This keeps inlet frame flat to the ceiling and framing.
 - 5) Secure inlet with screws provided.
 - 6) Caulk as needed.
 - 7) Mount pulleys in line with holes on inlets. Mount pulley at least 14" away from first inlet. Place 1/8" stainless steel continuous rod down the length of inlet runs. Connect SS cable to rod and then to actuator.
 - 8) If baffle springs and hooks are used, the inlets must be opened and then the springs connected to load tension on spring.



J&D Manufacturing, Inc.
6200 Highway 12 • Eau Claire, WI 54701
ph: 715-834-1439 • fax: 715-834-3812
Toll Free: 1-800-998-2398 • Toll Free fax: 1-888-972-4454

On-Line
website: www.jdmfg.com
e-mail: jdmfg@jdmfg.com