

HPF RING KIT FOR JD360 DESTRATIFIER FAN

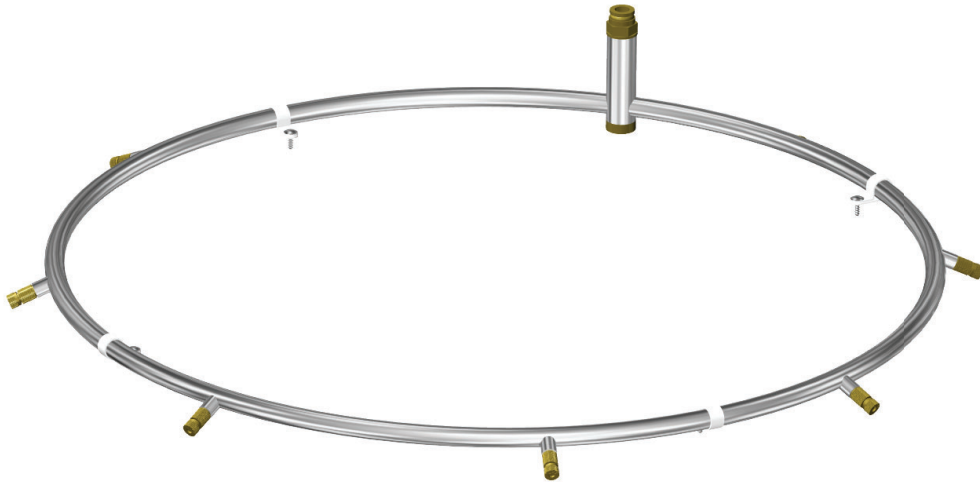


Table of Contents

Warranty	Page 2
Parts Legend	Page 2
Recommended Tools for Installation and Assembly (Not Provided)	Page 2
Preparing HPF Ring for Installation	Step 1
Placement of Ring on JD360	Step 2
Drilling Holes for Ring Mounting Hardware	Step 3
Securing Ring to Fan	Step 4
Installing High Pressure Fog Nozzles	Step 5
Connecting the Ring to Your HPF System	Step 6
Maintenance Instructions	Pages 6
End of Season & Winterizing	Pages 6
Beginning of Season Setup	Pages 6

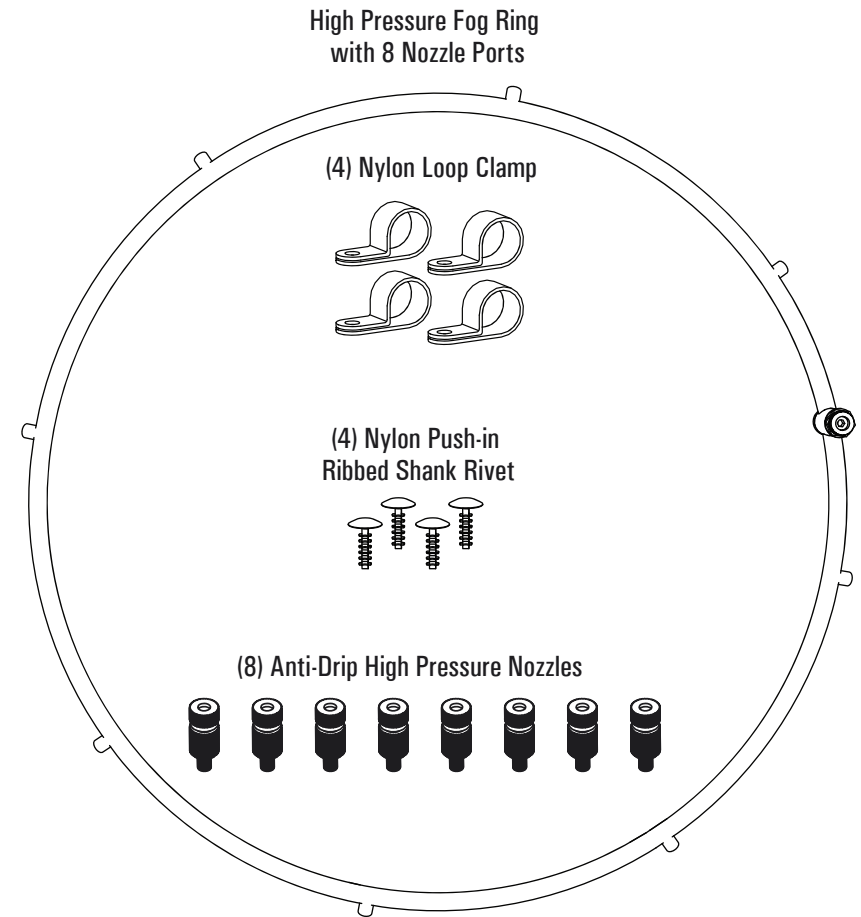
WARRANTY

J&D Mfg. warrants this products is free from defects in materials and workmanship under normal use for the period of one year from date of purchase. Our warranty does not cover ordinary wear and tear. J&D Mfg can repair or replace at our option, any product or part of the product that is found to be defective. Our warranty applies to materials only and does not include return freight, delivery, loss or damage to personal property, cost of removal or installation, any incidental or consequential damages or labor. This warranty does not apply to products which are misused, abused, altered, improperly installed or subject to negligence. All warranties must be approved through our warranty department. The original purchaser must present a copy of the invoice for the defective product.

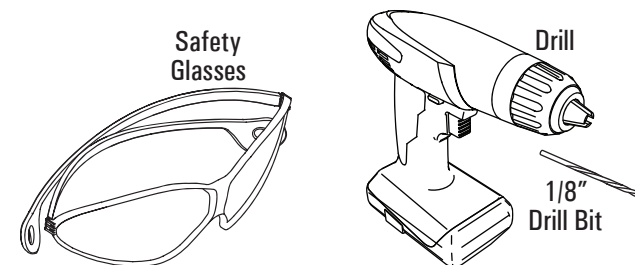
INSTALLATION

Please read over ALL instructions carefully before you begin.
If you have any questions please call your local dealer, or contact J&D Manufacturing at
1-800-998-2398.

PARTS LEGEND



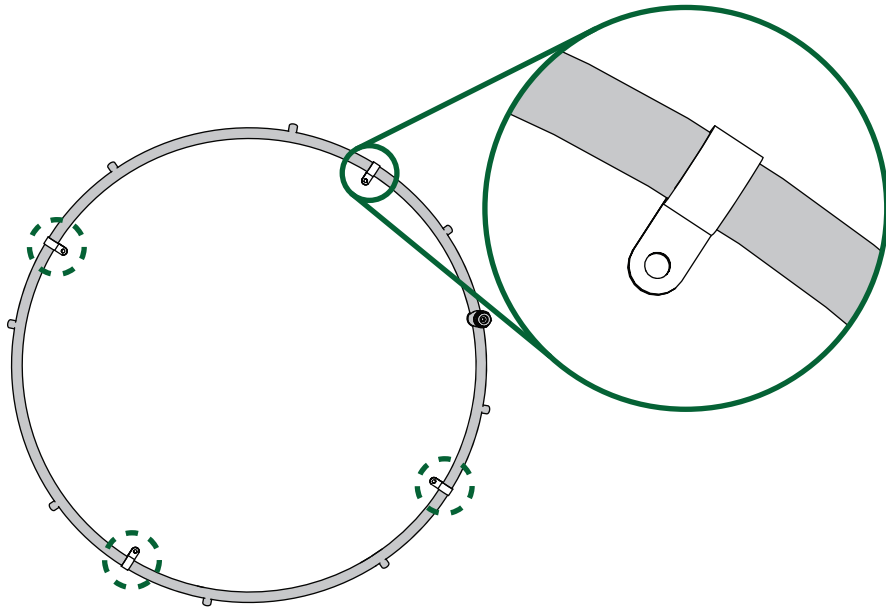
RECOMMENDED TOOLS FOR INSTALLATION AND ASSEMBLY (NOT PROVIDED)



JD360 must not be installed/suspended during installation process.

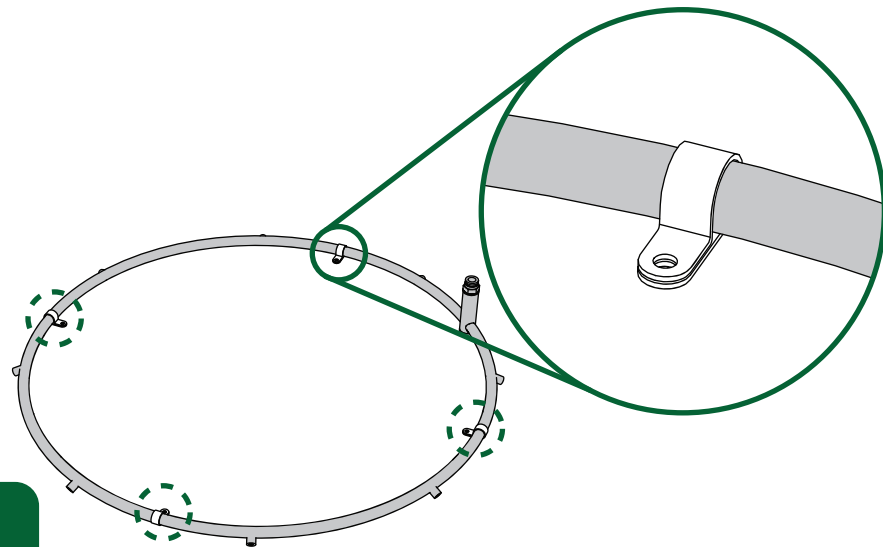
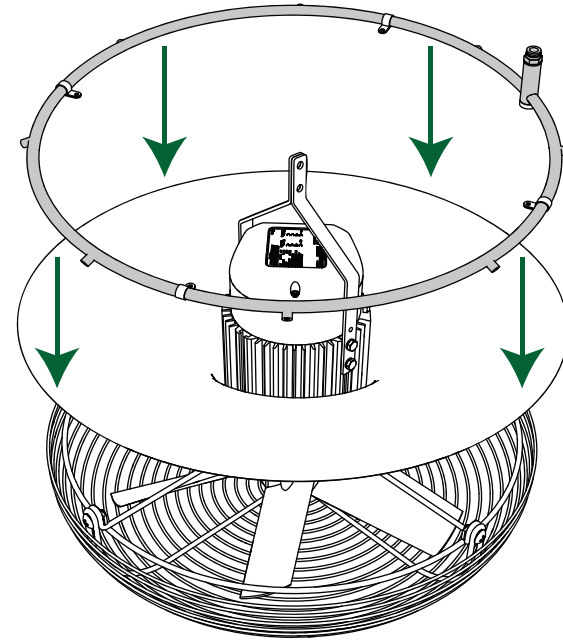
Preparing HPF Ring for Installation:

- With the tube connector facing up, install the (4) Nylon Loop Clamps, evenly spaced and with the flat side down, as shown below



Placement of Ring on JD360:

- Place ring on the JD360 destratifier deflector
- Center ring



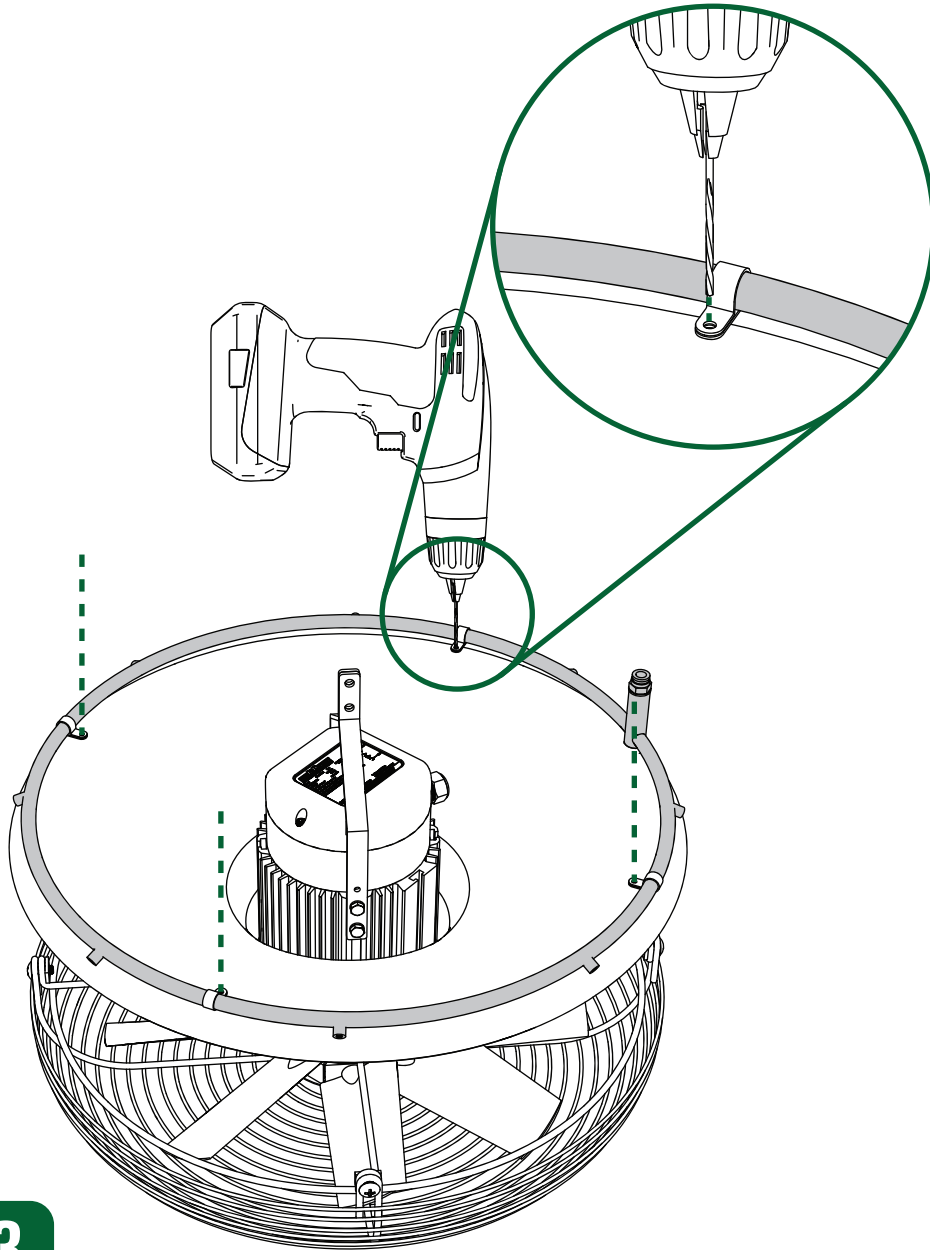
1



2

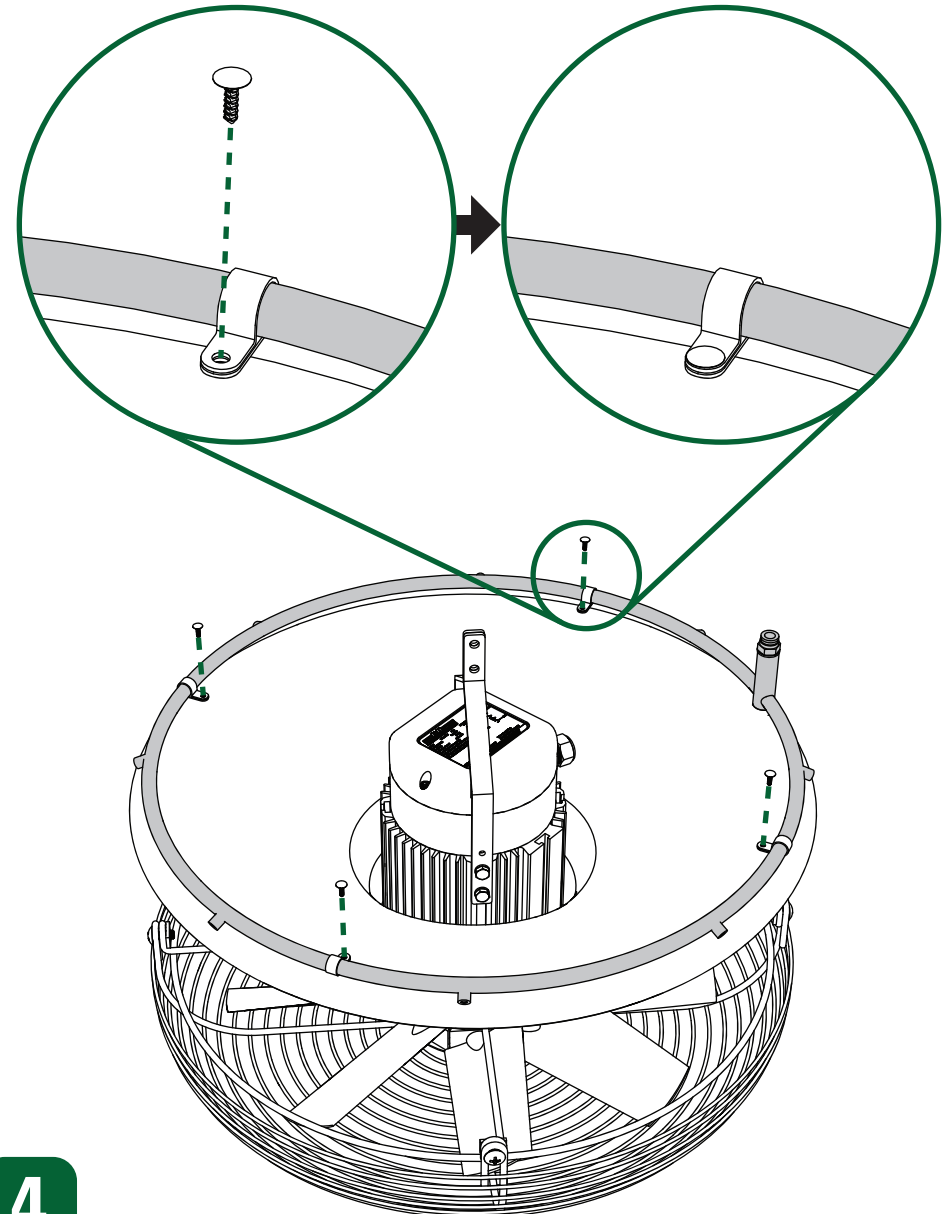
Drilling Holes for Ring Mounting Hardware:

- Using a **Drill** with a **1/8" Drill Bit** and the mounting holes in the **Nylon Loop Clamps** (installed in **Step 1**) as your guides, drill 4 corresponding mounting holes, as shown below.



Securing Ring to Fan:

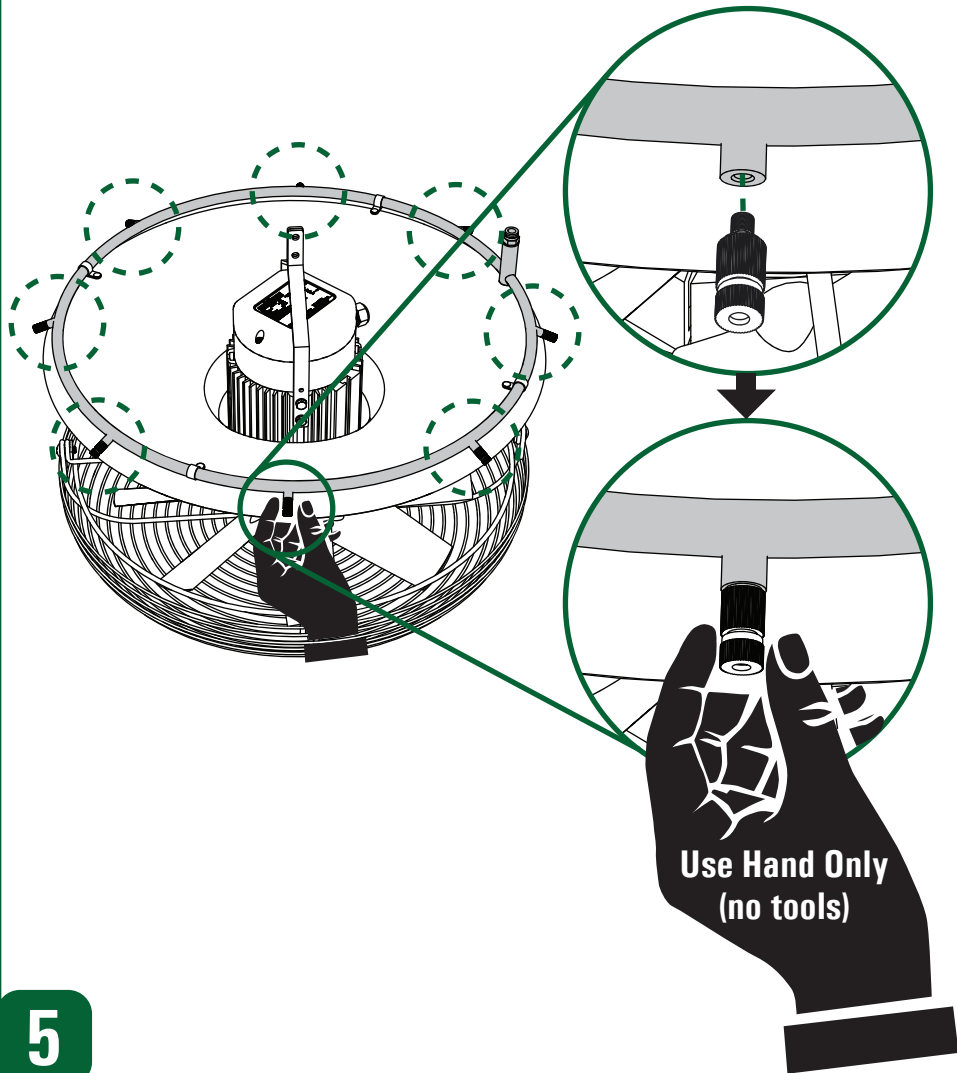
- Insert (4) **Nylon Push-in Ribbed Shank Rivets** through **Nylon Loop Clamps** and into holes drilled in **Step 3**, as shown below.



Installing High Pressure Fog Nozzles:

- Using your fingers, screw in and tighten the (8) Anti-Drip High Pressure Nozzles into the nozzle ports.
 - **Hand tighten only.**
 - Tools are not recommended as they damage and over tighten the nozzles.
 - **DO NOT OVER TIGHTEN**

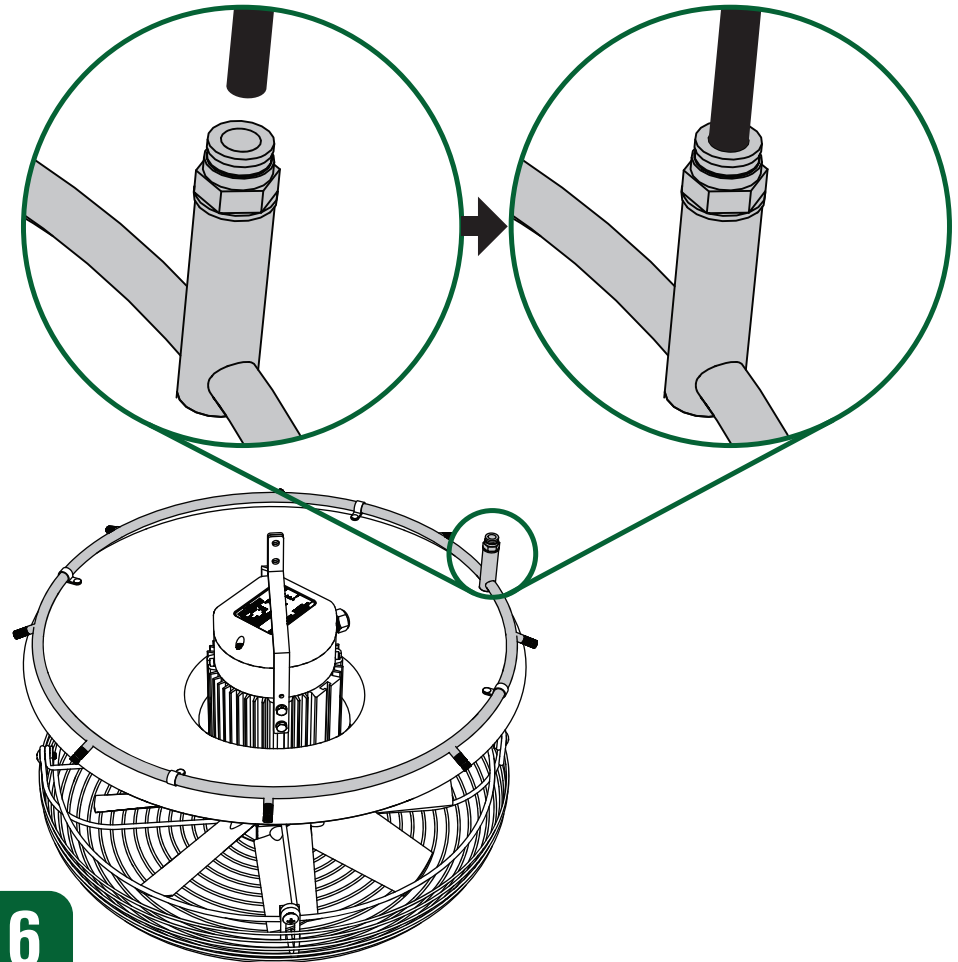
WARNING: Do not remove nozzles or plugs while system is running.



Connecting the Ring to Your HPF System:

- Slip lock connectors requires the nylon tube be cut straight, cleanly, and without crimping or deforming the tube while cutting.
- Insert the end of the nylon tube into the slip lock until you meet some resistance then push it in another 1/2" or so until it stops.

NOTE: If you need to remove the nylon tube from the slip lock, the system must be depressurized. Then push the metal slip lock collar back into the fitting and pull the nylon tube out. Once the nylon tube has been fully inserted into a slip lock and is removed, even for a short time, 1" of nylon tube (the amount that was inserted into the slip lock) must be trimmed off or it will not seal properly. Keep this in mind if you intend to disassemble your system seasonally as you will want to provide additional tubing to those sections to allow for yearly trimming until you are required to replace your nylon tubing.



Maintenance Instructions:

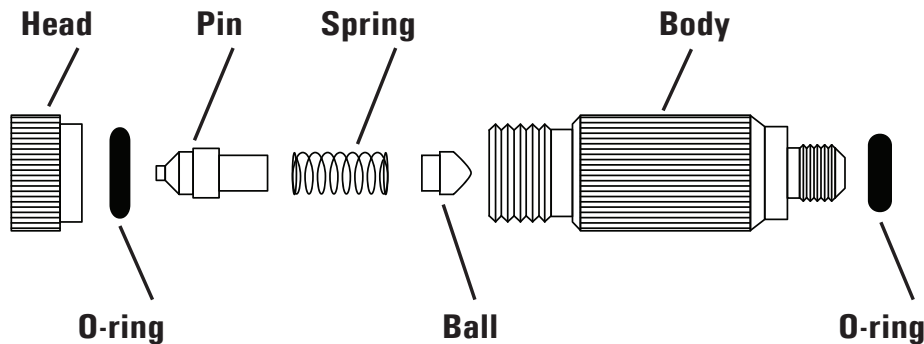
- Check for plugged nozzles.

WARNING: Do not remove nozzles or plugs while system is running.

- Disassemble the nozzle/s as shown below.
- Set aside the o-rings and the ball. If necessary the o-rings and ball can be washed with slightly soapy water.
- Soak the remaining metal parts in undiluted CLR® cleaner for a maximum of one hour.
- Once done soaking **rinse all parts thoroughly** and reassemble nozzles.

TIP: If cleaning more than one nozzle, separate nozzles by type and size as you remove them. Keep them separated during the cleaning process so reassembling and reinstalling after cleaning will be much easier.

Type: Anti Drip Nozzle



End of Season & Winterizing:

WARNING: Do not remove nozzles or plugs while system is running.

Nozzles End of Season Care

- Remove from ring
- Following **Maintenance Instructions** disassemble nozzles and clean them
- Reassemble nozzles
- Store nozzles in a container where they will not be exposed to freezing temperatures

Ring and Tube End of Season Care

- Do not reinstall nozzles at this time.
- Disconnect system from pump
- Using pressurized air, blow all water out of rings and tubes

Beginning of Season Setup:

WARNING: Do not remove nozzles or plugs while system is running.

Ring and Tube

- Cut off 1" of nylon tube, the amount that was previously inserted into the slip lock (The pressure from the slip lock distorts the end of the tubing and it must be trimmed off or it will not seal properly)
- Connect water to filter and pump system
- Run pump for 10 minutes to flush all tubing and rings
- Turn off pump

Nozzles

- Follow directions from **Step 5** on installing nozzles (**Hand tighten only**)

System

- Turn on pump and check system