

VES (101180-AFRS72 Belt Drive / 101162-AFR72 Belt Drive) 72" EXHAUST FAN CONVERSION KIT



TABLE OF CONTENTS

Warranty	Page 1
Parts Legend	Page 2
Preparing VES 72" Exhaust Fan For Conversion	Steps 1-3
Installation Of J&D Conversion Kit Frame	Steps 4-6
Motor Installation	Step 7
Prop Installation	Step 8
General Wiring Instructions	Page 7
Reinstalling Guard and Shutter	Steps 9-10
Maintenance Instructions	Page 7
Exploded View	Pages 8

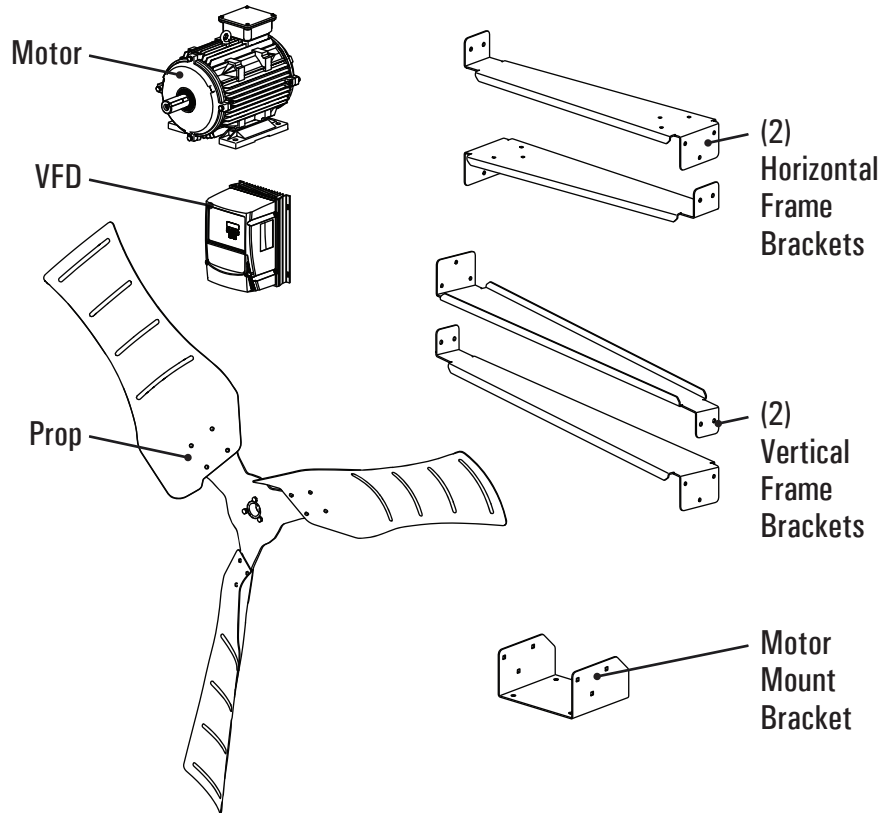
WARRANTY

J&D Mfg. warrants this product is free from defects in materials and workmanship under normal use for the period of one year from date of purchase. Our warranty does not cover ordinary wear and tear. J&D Mfg can repair or replace at our option, any product or part of the product that is found to be defective. Our warranty applies to materials only and does not include return freight, delivery, loss or damage to personal property, cost of removal or installation, any incidental or consequential damages or labor. This warranty does not apply to products which are misused, abused, altered, improperly installed or subject to negligence. All warranties must be approved through our warranty department. The original purchaser must present a copy of the invoice for the defective product.

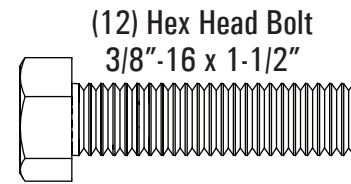
INSTALLATION

Please read over ALL instructions carefully before you begin.
If you have any questions please call your local J&D reseller,
or contact J&D Manufacturing at 1-800-998-2398.

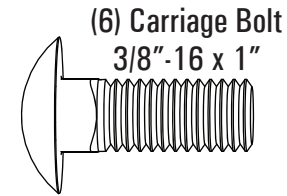
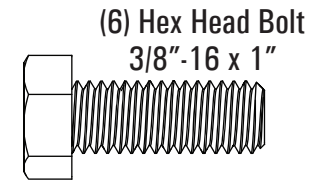
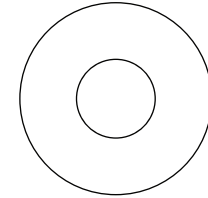
PARTS LEGEND



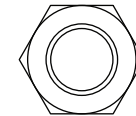
INCLUDED ASSEMBLY HARDWARE



(42) Flat Washer
3/8"ID x 1"OD



(24) Nylock Nut
3/8"-16



RECOMMENDED TOOLS AND RESOURCES FOR INSTALLATION AND ASSEMBLY (NOT PROVIDED)

- Safety Glasses
- 1/2" Socket
- 9/16" Wrench
- Socket Wrench
- 1/4" Nut Driver
- 10 ft-lbs Torque Wrench
- 11/16" Socket
- Impact Driver
- Recommended number of personnel for assembly and lifting - 2**
- 5/8" Socket
- 11/16" Wrench
- 9/16" Socket
- 5/8" Wrench



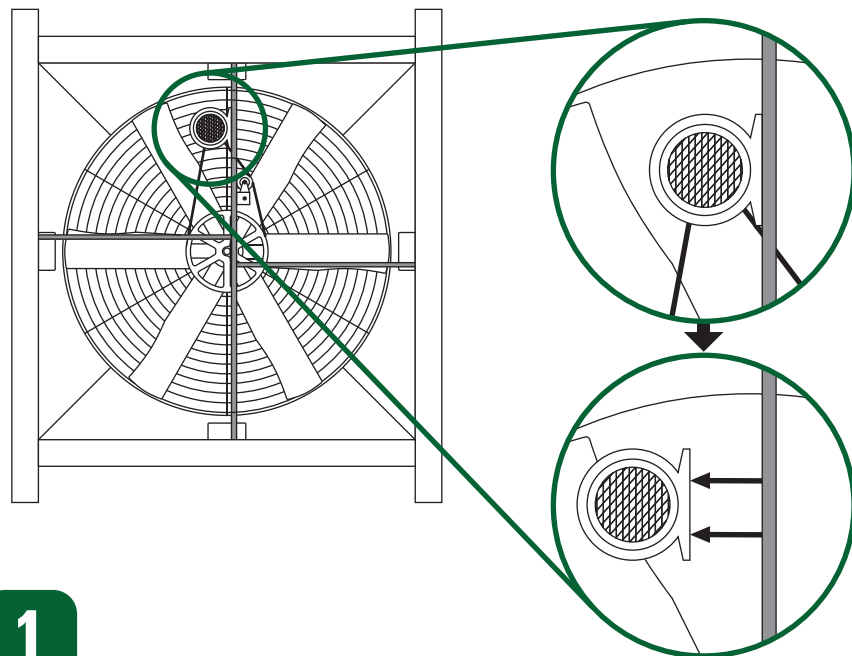
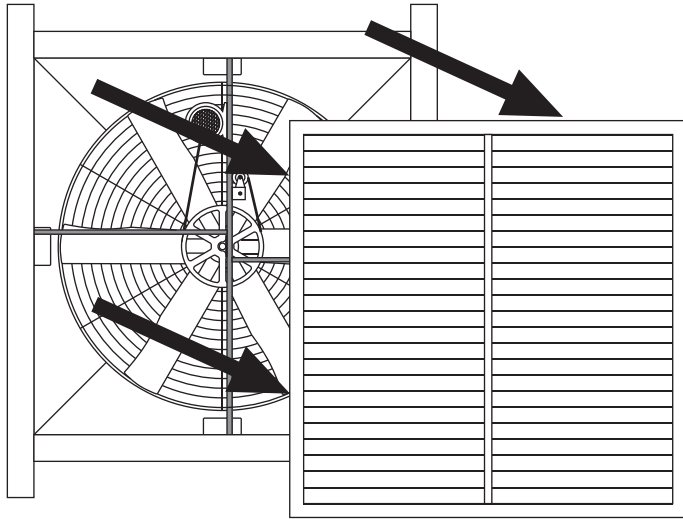
DISCONNECT POWER
BEFORE INSTALLING OR SERVICING.



ALL ELECTRICAL WORK SHOULD BE COMPLETED BY QUALIFIED PERSONNEL AND MEET NATIONAL (NEC), REGIONAL AND LOCAL ELECTRIC CODES.

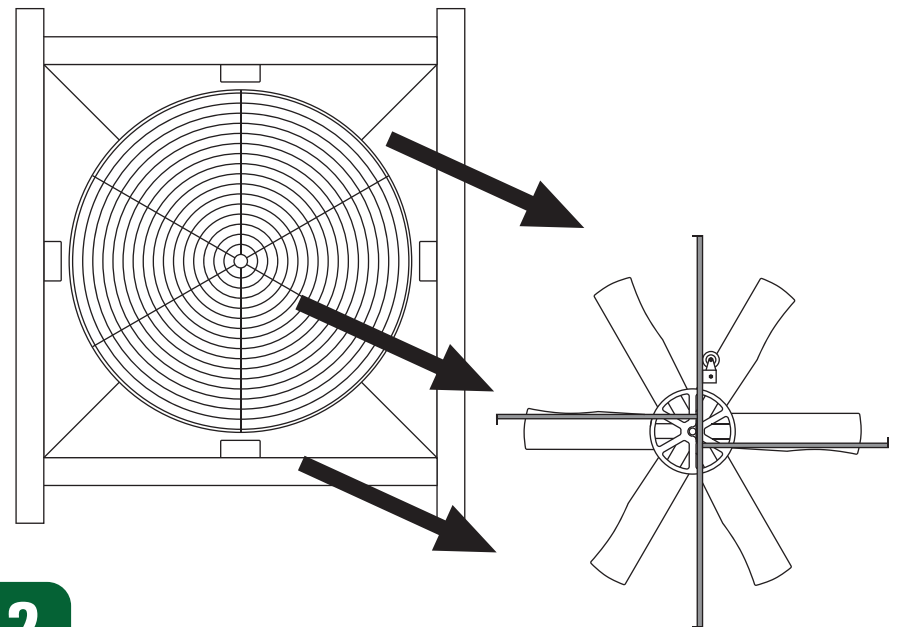
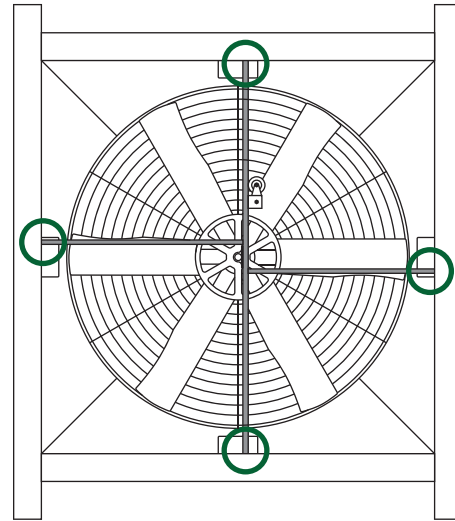
Preparing VES 72" Exhaust Fan For Conversion:

- Once power had been disconnected remove
 - Shutter
 - Belts
 - Motor



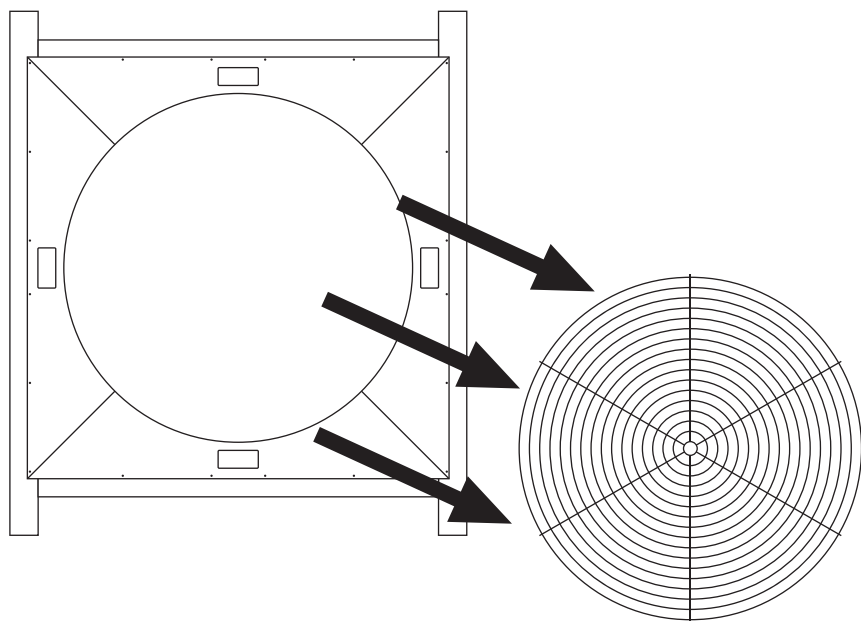
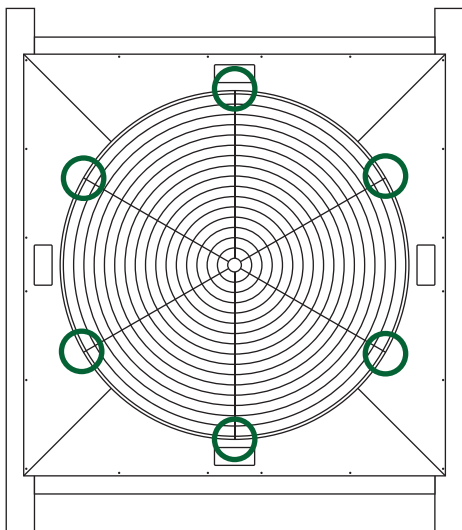
1

- Remove hardware that is securing frame to housing.
- Remove frame with attached elements.



2

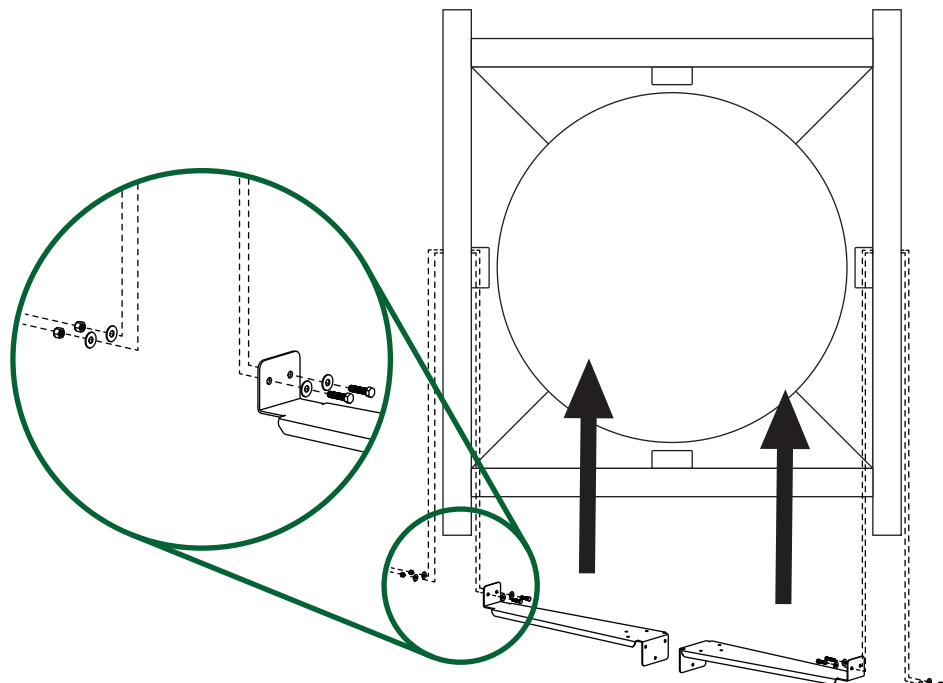
- Remove and keep hardware that is securing guard to housing.
- Remove guard.



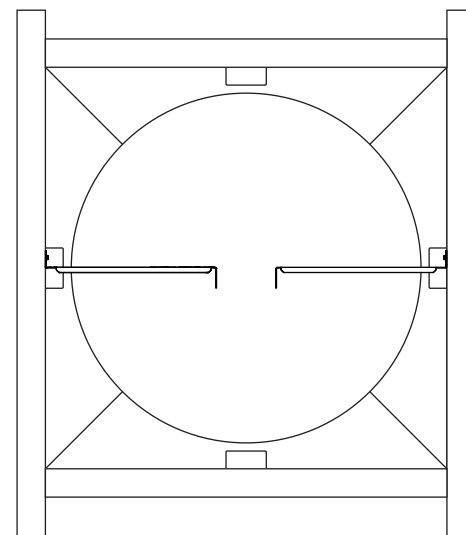
3

Installation Of J&D Conversion Kit Frame:

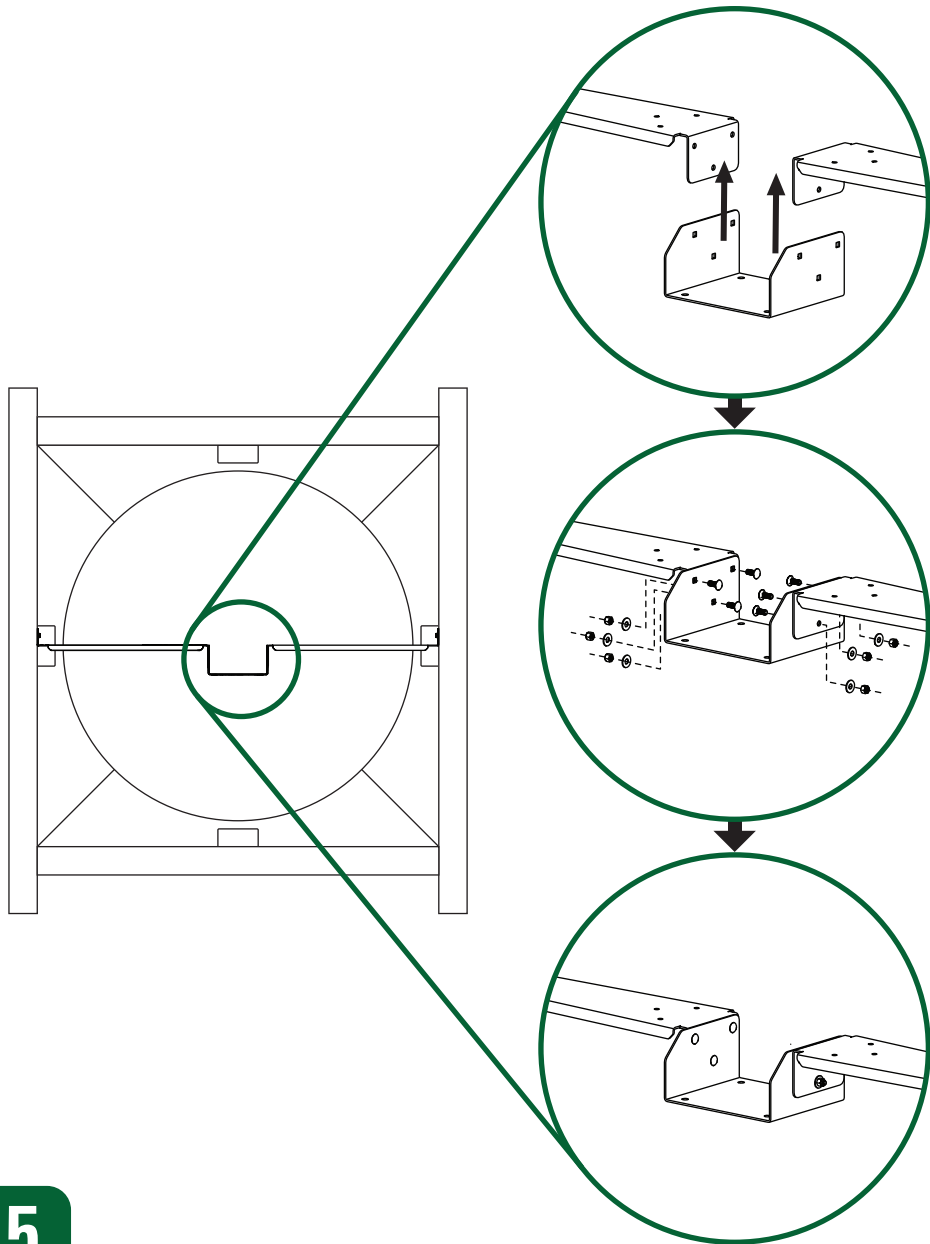
- Using (2) 3/8"-16 x 1-1/2" Hex Head Bolts, (4) 3/8"ID x 1"OD Flat Washers, and (2) 3/8"-16 Nylock Nuts secure each Horizontal Bracket, as shown below.



4

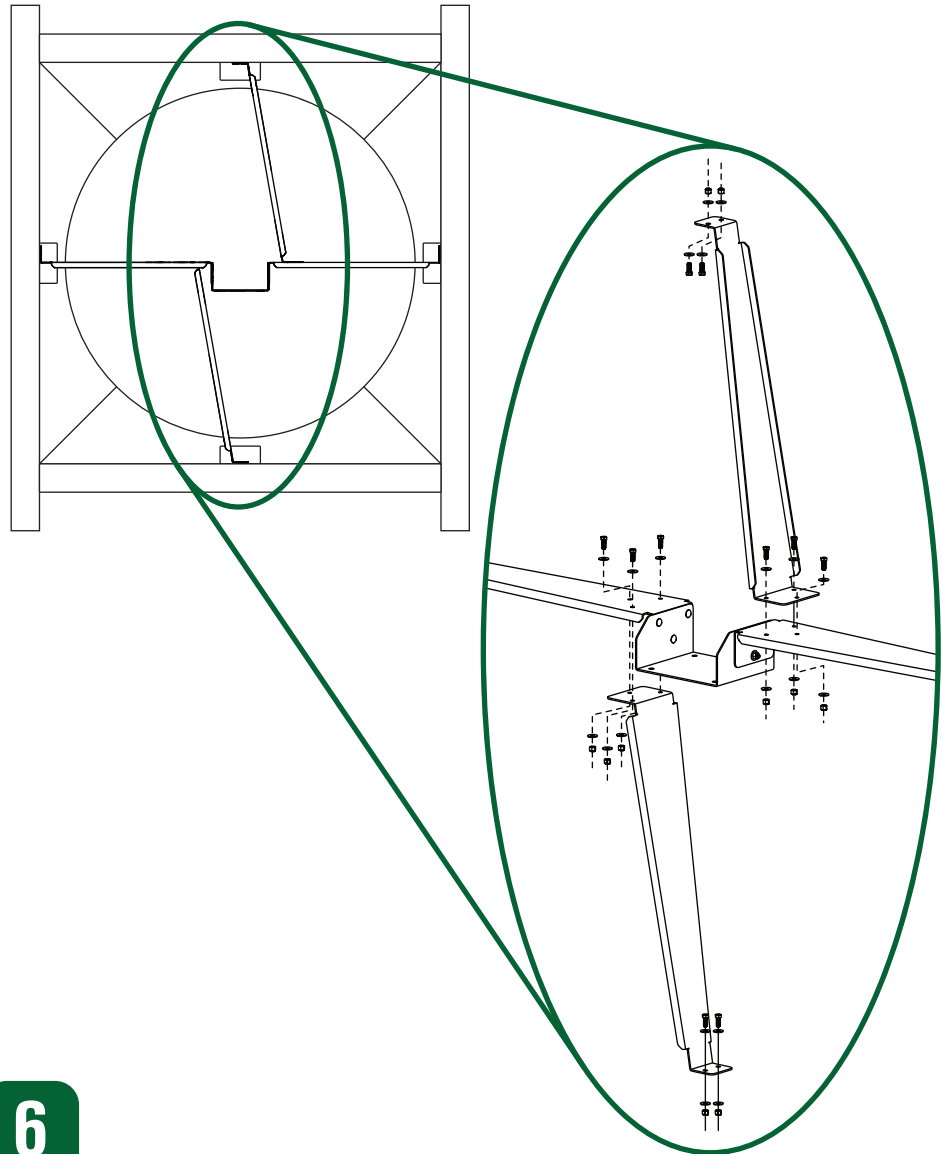


- Using the images below as your guide, orientate the Motor Mount Bracket with the angled edges towards the shutter opening.
- Using (6) 3/8"-16 x 1" **Carriage Bolts**, (6) 3/8"ID x 1"OD **Flat Washers**, and (6) 3/8"-16 **Nylock Nuts** secure Motor Mount Bracket, as shown below.



5

- Using the images below as your guide, orientate the Vertical Brackets.
- Using (3) 3/8"-16 x 1" **Hex Head Bolts**, (6) 3/8"ID x 1"OD **Flat Washers**, and (3) 3/8"-16 **Nylock Nuts** secure each Vertical Bracket to the corresponding Horizontal Bracket, as shown below.
- Once Vertical Brackets are secured to frame use (2) 3/8"-16 x 1-1/2" **Hex Head Bolts**, (4) 3/8"ID x 1"OD **Flat Washers**, and (2) 3/8"-16 **Nylock Nuts** secure each Vertical Bracket to the housing, as shown below.

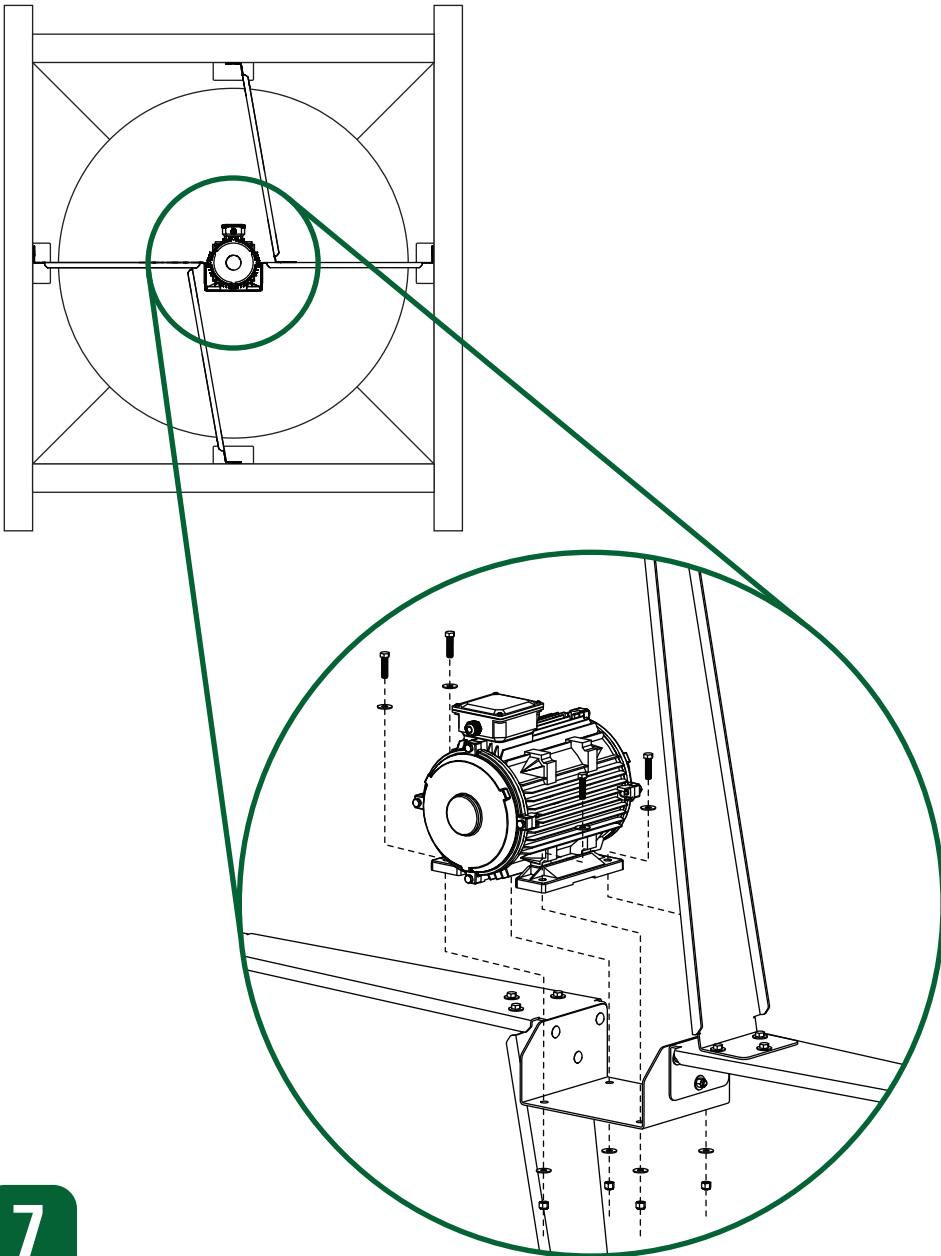


6

Motor Installation:

NOTE: 2 person lift is recommended for handling of 126 lb motor

- Place **Motor** on **Motor Bracket** and secure using (4) 3/8"-16 x 1-1/2" **Hex Head Bolts**, (8) 3/8"ID x 1"OD **Flat Washers**, and (4) 3/8"-16 **Nylock Nuts**, as shown below.

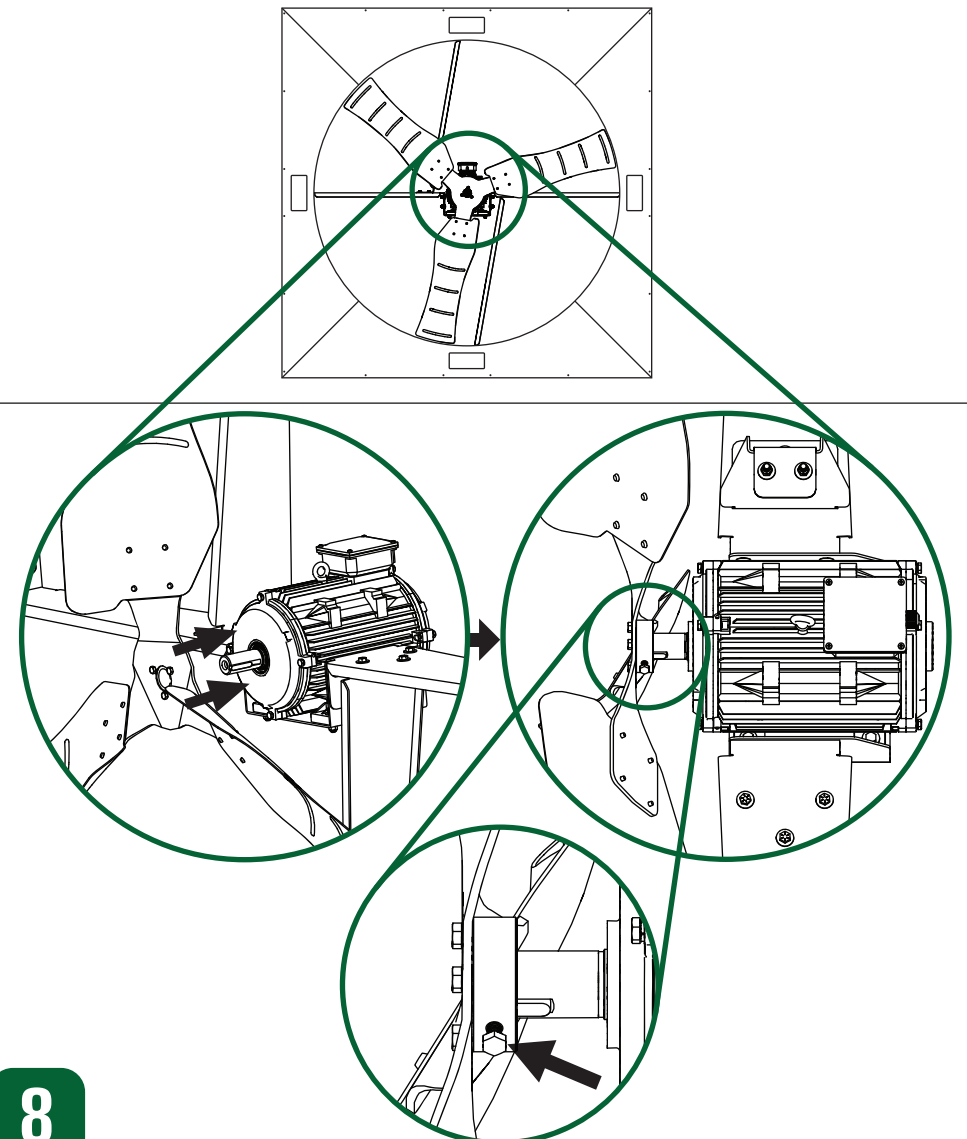


7

Prop Installation:

- From the front side of the fan slide **Prop** onto the keyed motor shaft until flush with the end of the shaft.
- Secure **Prop** by tightening the **Set Screw** (located on collar of prop) to **10 ft-lbs**.

NOTE: If a non-coned model you must check to confirm that guard will not interfere with prop rotation. If necessary prop may be moved further back onto shaft but only as far as the key on the shaft, max 1-1/4".



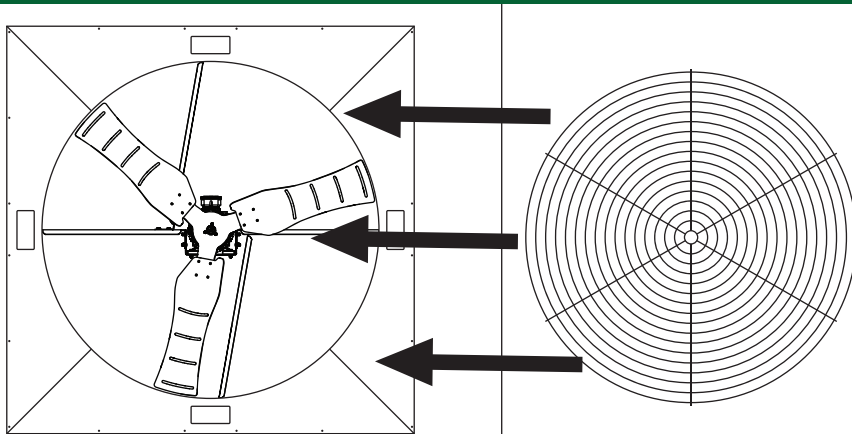
8

General Wiring Instructions:

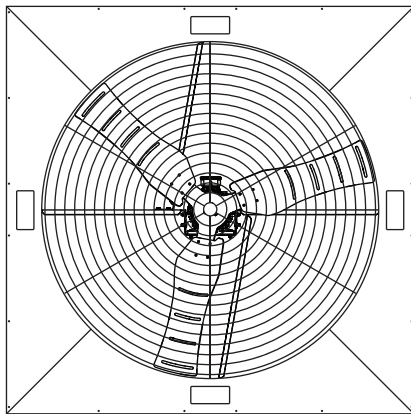
- Wiring should only be performed by a trained electrician to prevent injury or death.
- Only permit power to unit when guard/shutter are properly installed to prevent injury.
- Refer to motor/VFD specific instructions included with motor/VFD.
- Install manual disconnect switch inside building adjacent to fan.
- Route wire to motor with drip loop and secure. Drip loop will drain accumulated moisture away from the motor.
- Use four conductor 26AWG (or heavier), shielded, dual twisted pair, signal wire with drain wire from J&D control to motor/VFD.

Reinstalling Guard and Shutter:

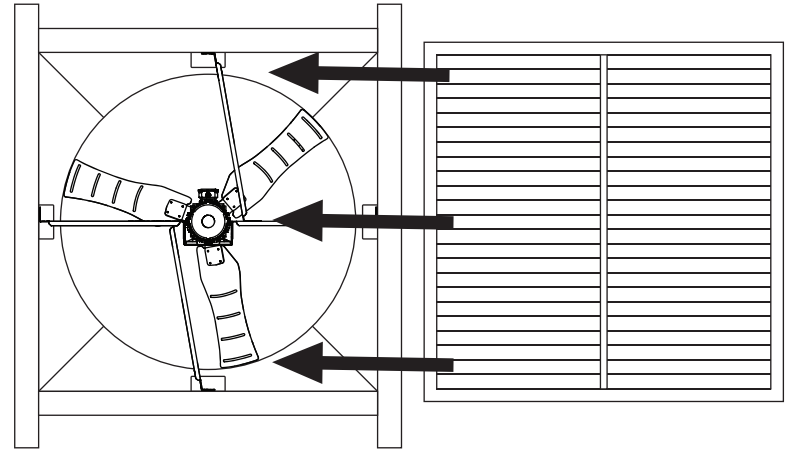
- Reinstall the guard removed in **Step 3**.



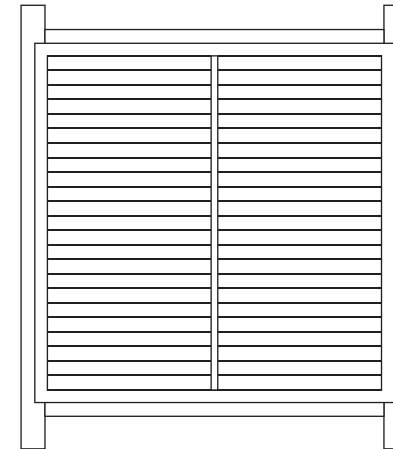
9



- Reinstall the shutter removed in **Step 1**.

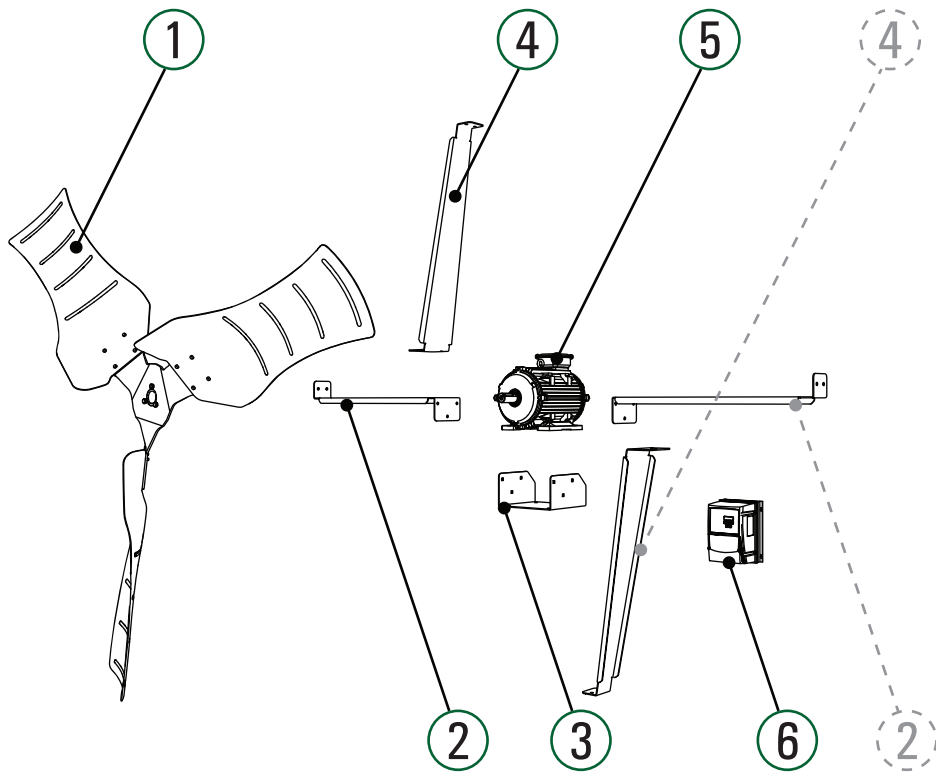


10



Maintenance Instructions:

- Disconnect power before cleaning or maintaining your fan in order to prevent serious injury or death.
- Service and repair of fan should only be completed by a qualified technician.
- For maximum efficiency and fan life, keep the following free from dirt and dust:
 - prop blades
 - shutter louvers
 - motor
 - guard
- The totally enclosed air over motor has sealed ball bearings and does not require additional oil.



#	(Qty) Description
1	(1) Prop
2	(2) Horizontal Frame Brackets
3	(1) Motor Mount Bracket
4	(2) Vertical Frame Brackets
5	(1) Motor
6	(1) VFD