

# Manual or Motorized 24 Volt DC Curtain System

J&D Manufacturing's DC Curtain System offers easy installation and trouble-free operation. With the sealed keder curtain and matching roll tube, the J&D Curtain System can be installed in a fraction of the time compared to conventional curtain systems.

## Curtain System

- End drive or center drive systems
- Single, two, or three-tier – bottom or middle roll
- Fully adjustable for minimum winter ventilation or maximum summer ventilation
- Curtain is wound tightly around the roll tube extending the life of your curtain, and eliminating the collection of debris and habitat for rodents
- 12oz clear polyethylene curtain has 20% more tensile and tearing strength than 10oz curtain
- Unique design allows GREATER light penetration than competitive curtains
- Heat sealed curtain keder prevents tearing and fraying
- Keder slides easily into the roll tube for quick installation



## Drive Options

- Manual drive with optional shepherd's hook
- Motorized climbing drives with built-in adjustable limit switches and optional protective cable guide



## Control Options

- Manual control with power supply
- Programmable control with thermostat, temperature sensor, and power supply
- Auxiliary multi-stage ventilation control

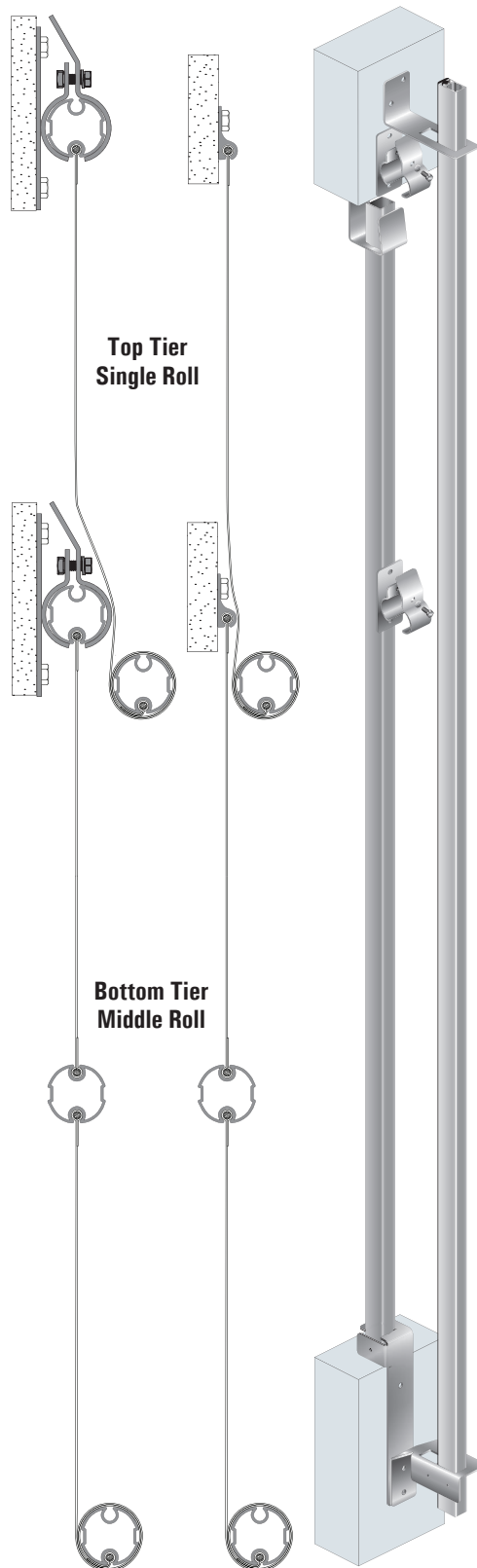
## Wind Pockets and Restraints

- Heavy gauge galvanized wind pockets to protect your drive system
- Easy access service door
- Optional wind pocket back panels
- Exterior and interior wind pipe and strap options:
  - Galvanized steel round wind pipe
  - Galvanized steel square wind pipe
  - Aluminum rectangular wind pipe with protective rubber cushion



**⚠ WARNING:** This product can expose you to chemicals including lead, which is known to the State of California to cause cancer and birth defects or other reproductive harm. For more information go to [www.P65Warnings.ca.gov/product](http://www.P65Warnings.ca.gov/product).

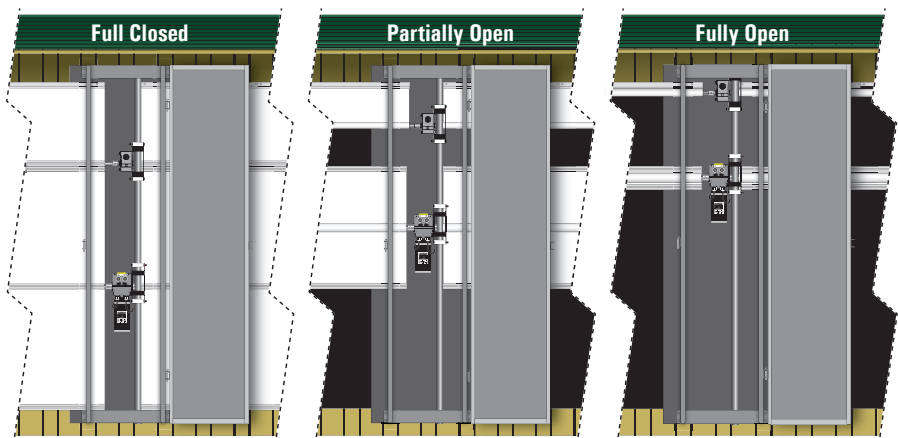
# Manual or Motorized 24 Volt DC Curtain System



## Common Curtain Arrangements

End Drive <i>(maximum length 300' *)</i>		Center Drive <i>(maximum length 150' * each side)</i>	
<b>Single-Tier</b>	End Drive: Bottom Roll	<b>Single-Tier</b>	Center Drive: Bottom Roll
<b>Single-Tier</b>	End Drive: Middle Roll*	<b>Single-Tier</b>	Center Drive: Middle Roll*
<b>Two-Tier</b>	End Drive: Top Tier - Bottom Roll Bottom Tier - Bottom Roll	<b>Two-Tier</b>	Center Drive: Top Tier - Bottom Roll Bottom Tier - Bottom Roll
<b>Two-Tier</b>	End Drive: Top Tier - Bottom Roll Bottom Tier - Middle Roll*	<b>Two-Tier</b>	Center Drive: Top Tier - Bottom Roll Bottom Tier - Middle Roll*
<b>Three-Tier</b>	End Drive: Top Tier - Bottom Roll Middle Tier - Bottom Roll Bottom Tier - Bottom Roll	<b>Three-Tier</b>	Center Drive: Top Tier - Bottom Roll Middle Tier - Bottom Roll Bottom Tier - Bottom Roll
<b>Three-Tier</b>	End Drive: Top Tier - Bottom Roll Middle Tier - Bottom Roll Bottom Tier - Middle Roll*	<b>Three-Tier</b>	Center Drive: Top Tier - Bottom Roll Middle Tier - Bottom Roll Bottom Tier - Middle Roll*

\* If Middle Roll exceeds 4' in height it's maximum length must be reduced



Shown: Two-Tier Center Drive, Top Tier - Manual Bottom Roll, Bottom Tier - Middle Roll

CURTAINS

**⚠ WARNING:** This product can expose you to chemicals including lead, which is known to the State of California to cause cancer and birth defects or other reproductive harm. For more information go to [www.P65Warnings.ca.gov/product](http://www.P65Warnings.ca.gov/product).

# Curtain Material and Components

## Curtain Material

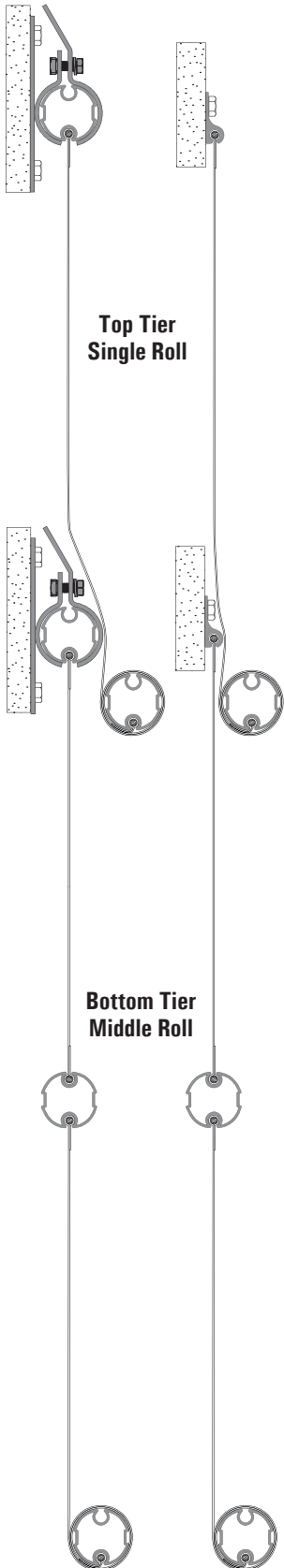
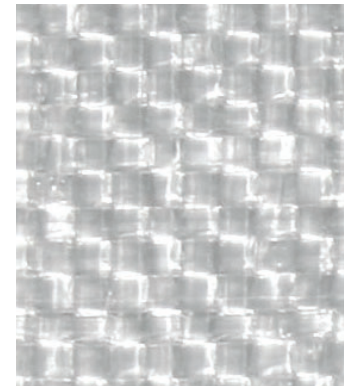
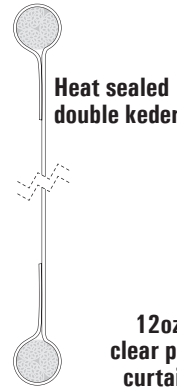
J&D Manufacturing's reinforced woven polyethylene curtain has a uniquely engineered coating for maximum durability and strength. Unlike sewn hems that can fray and unravel, J&D's curtain has a heat sealed keder that will not separate.

## Features

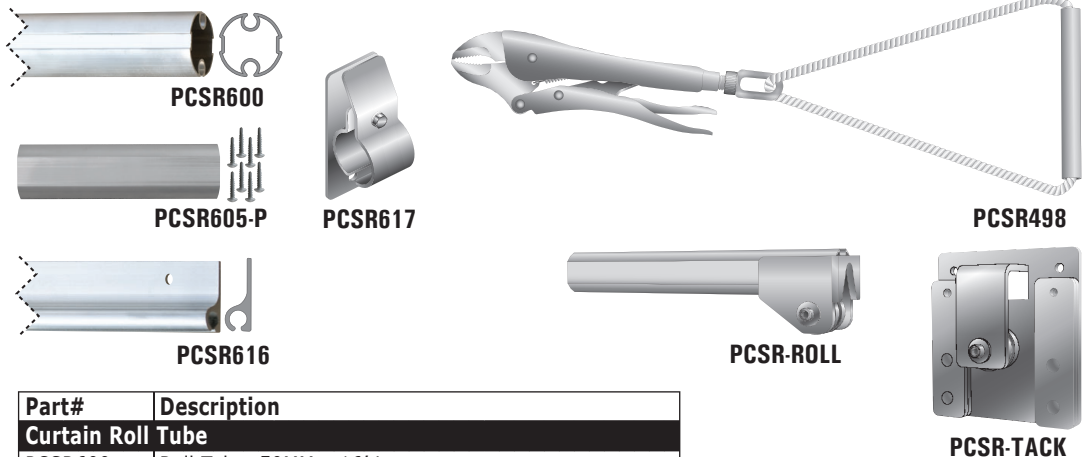
- 12oz clear polyethylene curtain with double stretching technology has 20% more tensile and tearing strength than 10oz curtain
- Unique design allows GREATER light penetration than competitive curtains
- Heat sealed curtain keder — not sewn or stitched — prevents tearing and fraying
- Double keder slides easily into the roll tube and tack strip for quick installation

Part#	Description	Finished Size
CPP1224DK	27½" Double Keder	24" *
CPP1236DK	36" Double Keder	32½"
CPP1248DK	48" Double Keder	44½"
CPP1260DK	60" Double Keder	56½"
CPP1272DK	72" Double Keder	68½"
CPP1284DK	84" Double Keder	80½"
CPP1296DK	96" Double Keder	92½"
CPP12108DK	108" Double Keder	104½"
CPP12120DK	120" Double Keder	116½"
CPP12132DK	132" Double Keder	128½"
CPP12144DK	144" Double Keder	140½"

\* Minimum size



## Curtain Installation Components



Part#	Description
<b>Curtain Roll Tube</b>	
PCSR600	Roll Tube, 50MM x 16' Long
PCSR605-P	Roll Tube Splice, w/Assembly Hardware*
PCSR605-PB	Roll Tube Splice, 20 per box, w/Assembly Hardware*
PCSR617	Mount, Curtain Roll Tube, S.S. w/Assembly Hardware*
<b>Curtain Tack Strip</b>	
PCSR616	Tack Strip, 16' Long for Curtain Systems

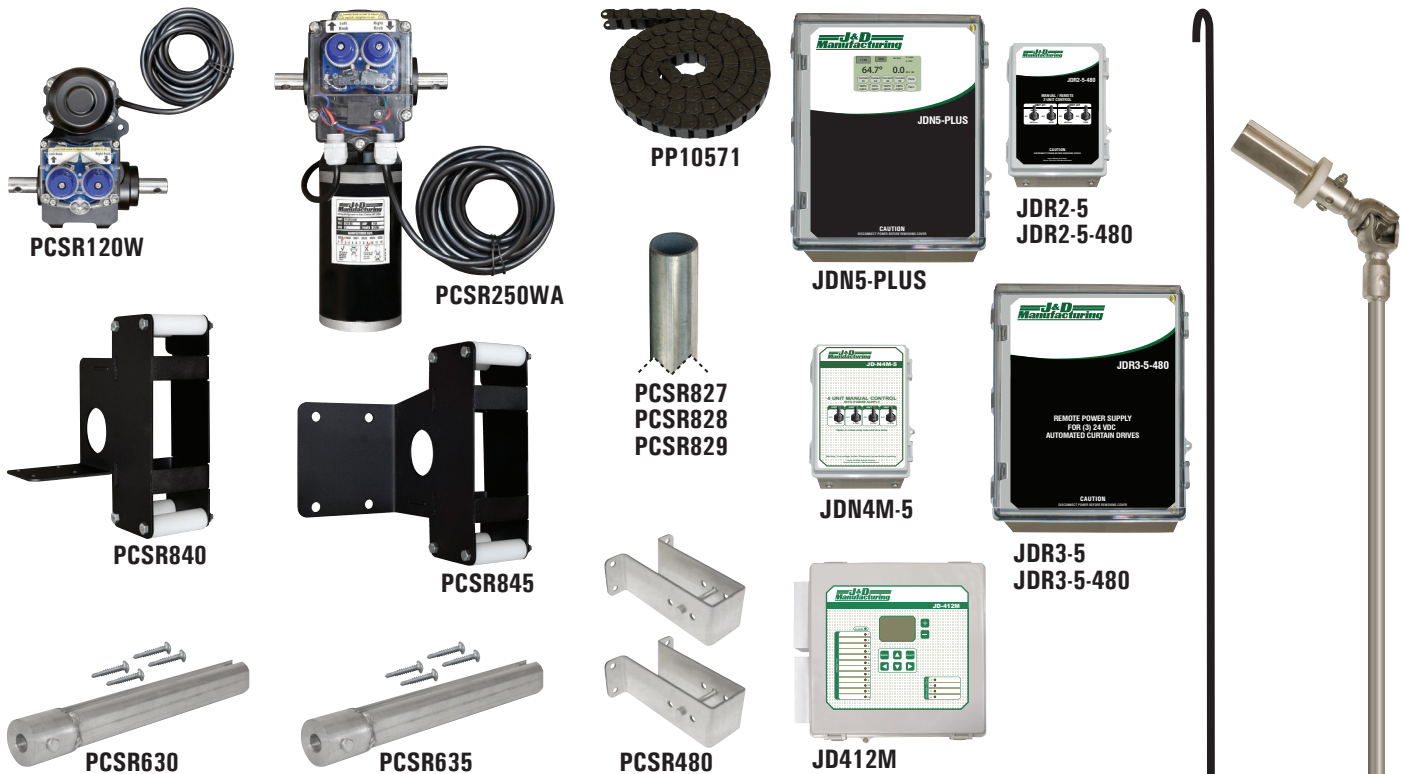
\* Includes assembly hardware only - installation hardware sold separately

## Installation Tools

Part#	Description
PCSR498	Stretching Tool, Curtain
PCSR-ROLL	Curtain Guide, Roll Tube
PCSR-TACK	Curtain Guide, Tack Strip

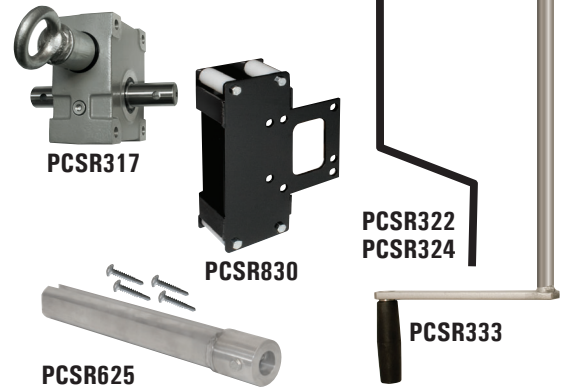
**⚠ WARNING:** This product can expose you to chemicals including lead, which is known to the State of California to cause cancer and birth defects or other reproductive harm. For more information go to [www.P65Warnings.ca.gov/product](http://www.P65Warnings.ca.gov/product).

# Curtain Drives & Components



## Motorized Drives & Components

Part#	Description
<b>Auto Drive</b>	
PCSR120W	Gear Box, DC, 2.7 RPM, 120 Watt, 7.5A, Double Shaft
PCSR250WA	Gear Box, DC, 3 RPM, 250 Watt, 15A, Double Shaft
PP10571	Cable Carrier, Black, Overall Length 5'
PCSR630	20.5MM Roll Tube Adapter for PCSR120W Motorized Drive
PCSR635	22.5MM Roll Tube Adapter for PCSR250W Motorized Drive
PCSR840	Climbing Bracket, PCSR120W Motorized Drive, w/Hardware
PCSR845	Climbing Bracket, PCSR250W Motorized Drive, w/Hardware
PCSR827	Climbing Pole, 1 5/8", 10 Gauge, 14'
PCSR828	Climbing Pole, 1 5/8", 10 Gauge, 16'
PCSR480	Mounting Brackets, for Climbing Pole, Set (2)
<b>Controls</b>	
JDN5-PLUS	Control, 5 Unit, Programmable, with 3' Temperature Probe
JDN4M-5	Control, Natural Ventilation, 4 Units, Manual
JD412M	Control, 4 Var, 12 On-Off Ventilation Stages, 1HP Boards
JDR2-5	Control, Manual and Remote for (2) 24 VDC Motors, 500W, 115/230V
JDR2-5-480	Control, Manual and Remote for (2) 24 VDC Motors, 500W, 480V
<b>Control Accessories</b>	
JDR3-5	Control, Remote Power Supply, (3) 24 VDC Motors, 500W, 115/230V
JDR3-5-480	Control, Remote Power Supply, (3) 24 VDC Motors, 500W, 480V
JDEX02	Expansion Module for JDN5-PLUS, adds (2) 0-10v zones
JDRPH-050	Humidity Sensor, Sintered Filter, 55' cord w/DisconnectsTemperature
JD0024	Rain Sensor, (compatible with JDN4-5 only)
JD200410K	Sensor, with 1' Wire
JD200410K-10	Temperature Sensor, with 10' Wire
JD200410K-30	Temperature Sensor, with 30' Wire
JD200410K-75	Temperature Sensor, with 75' Wire



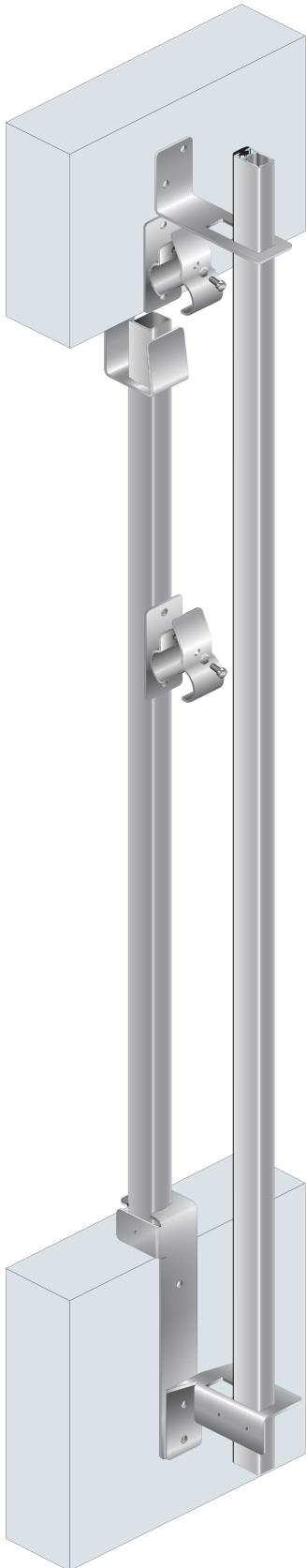
## Manual Drives & Components

Part#	Description
<b>Manual Drive</b>	
PCSR317	Curtain Drive, Manual, Dual Shaft
PCSR625	26MM Roll Tube Adapter Manual Curtain Drive
PCSR830	Climbing Bracket, Manual Drive, w/Hardware
PCSR827	Climbing Pole, 1 5/8", 10 Gauge, 14'
PCSR828	Climbing Pole, 1 5/8", 10 Gauge, 16'
PCSR829	Climbing Pole, 1 5/8", 10 Gauge, 17'
PCSR480	Mounting Brackets, for Climbing Pole, Set (2)
<b>Manual Drive Accessories</b>	
PCSR322	Shepherds Hook Only, 6'
PCSR324	Shepherds Hook Only, 9'
<b>Other</b>	
PCSR333	Hand Crank, 6' with U-Joint & Adapter

CURTAINS

**⚠ WARNING:** This product can expose you to chemicals including lead, which is known to the State of California to cause cancer and birth defects or other reproductive harm. For more information go to [www.P65Warnings.ca.gov/product](http://www.P65Warnings.ca.gov/product).

# Curtain Wind Restraint Systems



Shown is our most popular and recommended assembly.

- Interior 12-gauge square wind pipe with the PCSR617 curtain tube mounting bracket directly mounted, reducing the need for an additional cross member.
- Exterior wind pipe is our rectangular aluminum extrusion with rubber cushion, reducing noise and curtain wear.

## Features

### Rectangular Wind Pipe with Rubber Cushion

- Extruded aluminum 1"x1½" rectangular wind pipe with track for rubber cushion
- Rubber cushion reduces noise and prolongs curtain life by reducing wear
- 12', 14', and 16' lengths available

### Square Wind Pipe

- Heavy 12-gauge galvanized 1½" square pipe
- 14' and 16' lengths available
- When mounted as the interior wind pipe, the roll tube mounting brackets (*PCSR617*) may be directly attached - see figure

## System Structure

When calculating wind pipe needs, consider the following:

- J&D recommends wind pipe be placed on 6' centers. Building design and curtain dimensions may warrant alternative spacing
- Exterior wind pipe needs to be taller than the opening to accommodate mounting of curtain mounting brackets
- If you intend to attach the roll tube bracket directly to the interior wind pipe, the interior wind pipe must be heavy-duty 12-gauge square tube
- Mounting surface (wood, metal, or concrete) determines necessary installation hardware components

**⚠ WARNING:** This product can expose you to chemicals including lead, which is known to the State of California to cause cancer and birth defects or other reproductive harm. For more information go to [www.P65Warnings.ca.gov/product](http://www.P65Warnings.ca.gov/product).

# Curtain Wind Restraint Systems

## 1½" Square Wind Pipe System

Part#	Description
<b>1½" Square Pipes</b>	
PCSR930	Wind Pipe, 1½" Square x 14', 12 Ga. Galv.
PCSR931	Wind Pipe, 1½" Square x 16', 12 Ga. Galv.
<b>1½" Square Mounting Brackets</b>	
PCSR910-P	Bracket, Universal, Wind Pipe with Bottom Support
PCSR940	Bracket, Outside Mount, Square/Round, 8 Ga. Galv.
PCSR942	Bracket, Inside Mount, Square/Round, 8 Ga. Galv.

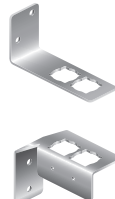
**PCSR930  
PCSR931**  
1½" Square  
Wind Pipe



**PCSR910-P  
(SET)**  
Outside Mount  
Universal  
Bracket



**PCSR940  
(SET)**  
Outside Mount  
Square/Round  
Bracket



**PCSR942  
(SET)**  
Inside Mount  
Square/Round  
Bracket



## Rectangle Wind Pipe with Rubber Cushion System

Part#	Description
<b>Pipes</b>	
PCSR917	Wind Pipe, 1" x 1½", Aluminum 12'
PCSR918	Wind Pipe, 1" x 1½", Aluminum 14'
PCSR919	Wind Pipe, 1" x 1½", Aluminum 16'
<b>Rubber Cushion</b>	
PP10381	Rubber Cushion, Alum Wind Pipe, Roll 100'
<b>Mounting Brackets</b>	
PCSR910-P	Bracket, Universal, Wind Pipe with Bottom Support
PCSR941	Bracket, Outside Mount, Rectangular
PCSR943	Bracket, Inside Mount, Rectangular

**PCSR917  
PCSR918  
PCSR919**  
Rectangular  
Wind Pipe



**PP10381**  
Rubber  
Cushion

**PCSR910-P  
(SET)**  
Outside Mount  
Universal  
Bracket



**PCSR941  
(SET)**  
Outside Mount  
Rectangular  
Bracket



**PCSR943  
(SET)**  
Inside Mount  
Rectangular  
Bracket



## 1.9 Round Wind Pipe System

Part#	Description
<b>Pipes</b>	
RPGT190011205	Wind Pipe, 1.9" Round x 205", 11 Ga. Galv.
RPGT190011288	Wind Pipe, 1.9" Round x 288", 11 Ga. Galv.
<b>Mounting Brackets</b>	
PCSR944	Bracket, Outside Mount, 1.9 Round
PCSR946	Bracket, Inside Mount, 1.9 Round

**RPGT190011205  
RPGT190011288**  
1.9" Round  
Wind Pipe



**PCSR944  
(SET)**  
Outside Mount  
Round Bracket



**PCSR946  
(SET)**  
Inside Mount  
Round Bracket



## Wind Strap System

Part#	Description
PCSR925	Webbing, 1½" Wide, 200 Yard Roll
PCSR927	Bracket, Top, for Curtain Wind Strap
PCSR929	Poly Strap Protector, for Curtain Wind Strap
PCSR935	Winch, Curtain Wind Strap

*Wind strap system requires top curtain be installed using roll tube and roll tube mounting brackets (PCSR617).*

**PCSR925**  
Webbing



**PCSR927**  
Top  
Bracket



**PCSR929**  
Protector



**PCSR935**  
Winch



**⚠ WARNING:** This product can expose you to chemicals including lead, which is known to the State of California to cause cancer and birth defects or other reproductive harm. For more information go to [www.P65Warnings.ca.gov/product](http://www.P65Warnings.ca.gov/product).

# Curtain Wind Pockets

## Features

### Wind Pocket Sets

- Heavy gauge galvanized drive pockets protect your drive system from the elements
- Hinge and latch system on drive wind pocket door for quick access
- Heavy gauge galvanized dead end covers to restrict side winds from lifting curtain
- End drive sets include 1 drive end cover and 1 dead end cover, center drive sets include 1 center drive cover and 2 dead end covers
- Wind pocket systems 13' and taller are spliced systems for ease of operation, installation, and maintenance

### Back Panel Sets - Optional

- Used to protect and secure ends of curtain to reduce drafts
- Provides a mounting surface for drive components
- Galvanized with rolled side edges for added strength and safety

### Wind Pocket Top Cover - Accessory

- Top of drive wind pocket must be sheltered to block out snow and rain. If building overhang does not provide adequate shelter a wind pocket top cover is required.

## Ordering

### When ordering wind pockets you will need to know:

- Is curtain system End Drive or Center Drive?
- What is the total width and height of the opening to be covered?
- Does structure provide required backer (*18" min. on dead ends and 29" min. for drive location*) or do you need to order corresponding back panel set?
- Will top of drive wind pocket be sufficiently covered by structure overhang to prevent rain and snow from entering or do you need to order a wind pocket top cover.
- What kind of installation hardware is required, wood, metal, or concrete? (Assembly hardware is included however due to range of building materials installation hardware must be ordered separate)



Center Drive Wind Pocket with Back Panel



Dead End Wind Pocket with Back Panel

**⚠️ WARNING:** This product can expose you to chemicals including lead, which is known to the State of California to cause cancer and birth defects or other reproductive harm. For more information go to [www.P65Warnings.ca.gov/product](http://www.P65Warnings.ca.gov/product).

# Curtain Wind Pocket Sets

## End Drive Curtain Wind Pocket Sets

End Drive Wind Pockets Sets include:

- 1 Universal Right/Left Dead End Cover
- 1 Universal Right/Left End Drive Cover with Hinged Door/s
- Assembly Hardware

NOTE: Does not include installation hardware which must be ordered separately

Part#	Description	Max. Opening Height	Optional Back Panel Sets
PCSR975-4	4', End Drive Set	32"	PCSR974-4
PCSR975-5	5', End Drive Set	44"	PCSR974-5
PCSR975-6	6', End Drive Set	56"	PCSR974-6
PCSR975-7	7', End Drive Set	68"	PCSR974-7
PCSR975-8	8', End Drive Set	80"	PCSR974-8
PCSR975-9	9', End Drive Set	92"	PCSR974-9
PCSR975-10	10', End Drive Set	104"	PCSR974-10
PCSR975-11	11', End Drive Set	116"	PCSR974-11
PCSR975-12	12', End Drive Set	128"	PCSR974-12
PCSR975-13	13'* , End Drive Set	140"	PCSR974-13 *
PCSR975-14	14'* , End Drive Set	152"	PCSR974-14 *
PCSR975-15	15'* , End Drive Set	164"	PCSR974-15 *
PCSR975-16	16'* , End Drive Set	176"	PCSR974-16 *
PCSR975-18	18'* , End Drive Set	200"	PCSR974-18 *
<b>Accessory</b>			
PCSR978	Top Cover, for Wind Pocket		



\*Indicates spliced systems for ease of operation, installation, and maintenance.  
Spliced sets are broken down as follows 13'(9'+4'), 14'(10'+4'), 15'(10'+5'), 16'(10'+6'), 18'(10'+8').

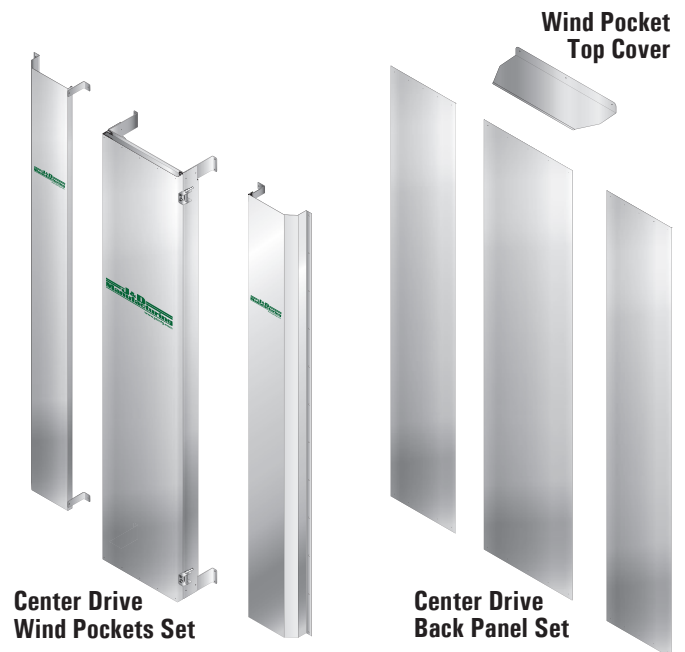
## Center Drive Curtain Wind Pocket Sets

Center Drive Wind Pockets Sets include

- 2 Universal Right/Left Dead End Cover
- 1 Center Drive Cover with Hinged Door/s
- Assembly Hardware

NOTE: Does not include installation hardware which must be ordered separately

Part#	Description	Max. Opening Height	Optional Back Panel Sets
PCSR976-4	4', Center Drive Set	32"	PCSR977-4
PCSR976-5	5', Center Drive Set	44"	PCSR977-5
PCSR976-6	6', Center Drive Set	56"	PCSR977-6
PCSR976-7	7', Center Drive Set	68"	PCSR977-7
PCSR976-8	8', Center Drive Set	80"	PCSR977-8
PCSR976-9	9', Center Drive Set	92"	PCSR977-9
PCSR976-10	10', Center Drive Set	104"	PCSR977-10
PCSR976-11	11', Center Drive Set	116"	PCSR977-11
PCSR976-12	12', Center Drive Set	128"	PCSR977-12
PCSR976-13	13'* , Center Drive Set	140"	PCSR977-13 *
PCSR976-14	14'* , Center Drive Set	152"	PCSR977-14 *
PCSR976-15	15'* , Center Drive Set	164"	PCSR977-15 *
PCSR976-16	16'* , Center Drive Set	176"	PCSR977-16 *
PCSR976-18	18'* , Center Drive Set	200"	PCSR977-18 *
<b>Accessory</b>			
PCSR978	Top Cover, for Wind Pocket		



\*Indicates spliced systems for ease of operation, installation, and maintenance.  
Spliced sets are broken down as follows 13'(9'+4'), 14'(10'+4'), 15'(10'+5'), 16'(10'+6'), 18'(10'+8').

CURTAINS

**⚠ WARNING:** This product can expose you to chemicals including lead, which is known to the State of California to cause cancer and birth defects or other reproductive harm. For more information go to [www.P65Warnings.ca.gov/product](http://www.P65Warnings.ca.gov/product).