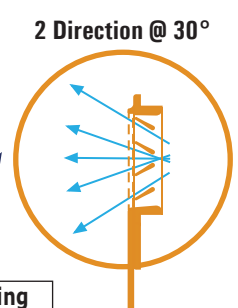
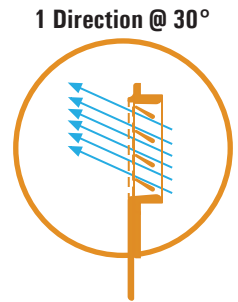
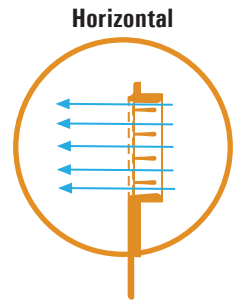
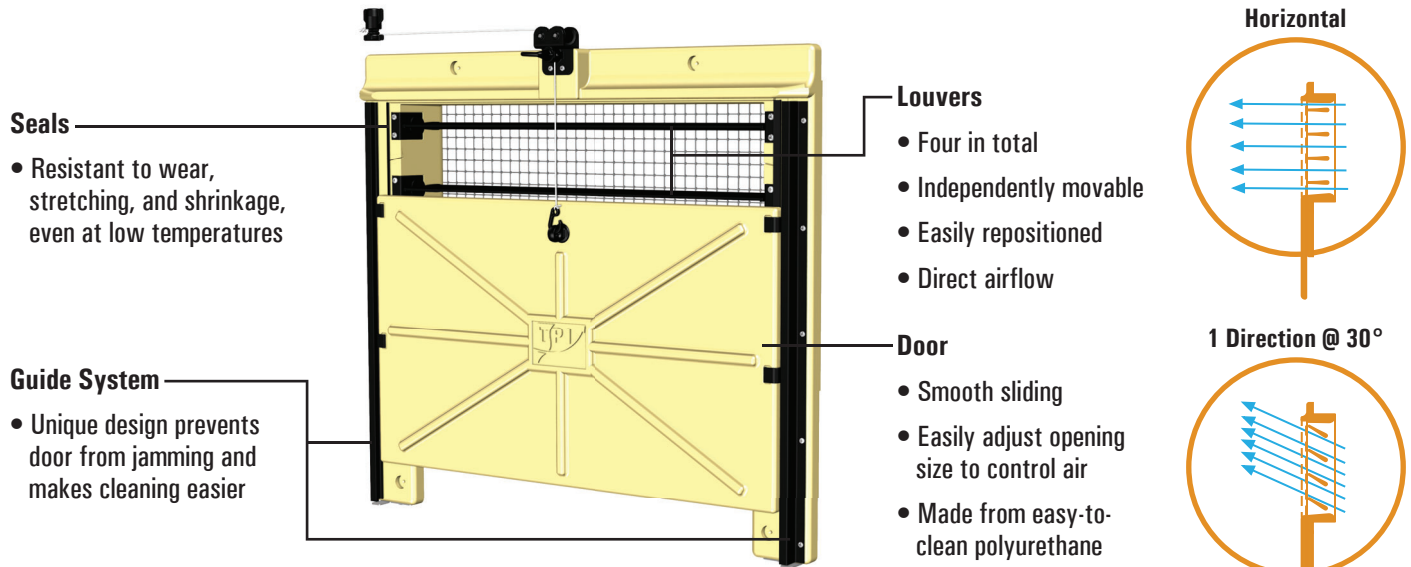


TPI-Omniflux Insulated Air Inlet



Part#	Louver Orientation	CFM @			m ³ /h			Force		Color
		.05" SP	.10" SP	.15" SP	10 Pa	20 Pa	40 Pa	Nw	Run	
TPI-OMNIFLUX-Y	Horizontal	2,106	2,922	3,638	3,200	4,450	6,400	44.1	16.5"	Yellow
	1 Dir. @ 30°	1,481	2,102	2,529	2,250	3,200	4,450			
	2 Dir. @ 30°	1,415	1,970	2,472	2,150	3,000	4,350			
TPI-OMNIFLUX-B	Horizontal	2,106	2,922	3,638	3,200	4,450	6,400	44.1	16.5"	Black
	1 Dir. @ 30°	1,481	2,102	2,529	2,250	3,200	4,450			
	2 Dir. @ 30°	1,415	1,970	2,472	2,150	3,000	4,350			

Accessories

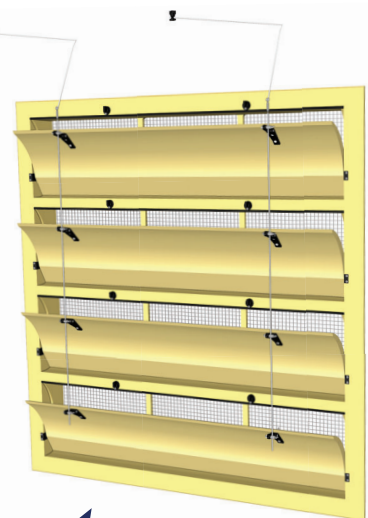
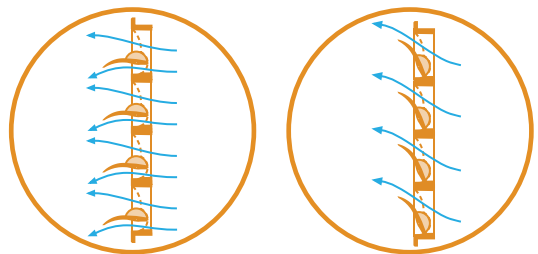
TPI-952	Weather Hood, Black, fits TPI-OMNIFLUX Series of Wall Inlets
TPI-903	Bracket Set, Quick Mount for TPI-952 Weather Hood
TPI-919-TR	Light Trap, for TPI-952 Weather Hood



Rough Opening
30.71" W x 19.29" H

INLETS

TPI-6000-VFG-4-C Insulated Tunnel Unit



Part#	CFM @			m ³ /h			Force		Color
	.05" SP	.10" SP	.15" SP	10 Pa	20 Pa	40 Pa	Nw	Run	
TPI-6000-VFG-4-C-Y	15,267	22,986	26,372	23,200	35,000	46,400	137.3	15.7"	Yellow
TPI-6000-VFG-4-C-B	15,267	22,986	26,372	23,200	35,000	46,400	137.3	15.7"	Black

Accessories

TPI-796-C	Air Guides, for TPI-6000-*C Series of Wall Inlets
-----------	---



Rough Opening
59.84" W x 63.78" H

⚠ WARNING: This product can expose you to chemicals including methyl isocyanate, which is known to the State of California to cause cancer and birth defects or other reproductive harm. For more information go to www.P65Warnings.ca.gov/product.