

VCB0010VS Backup Thermostat for PM Motors wired for 0-10v Control

It is recommended to test the system at least twice a year.

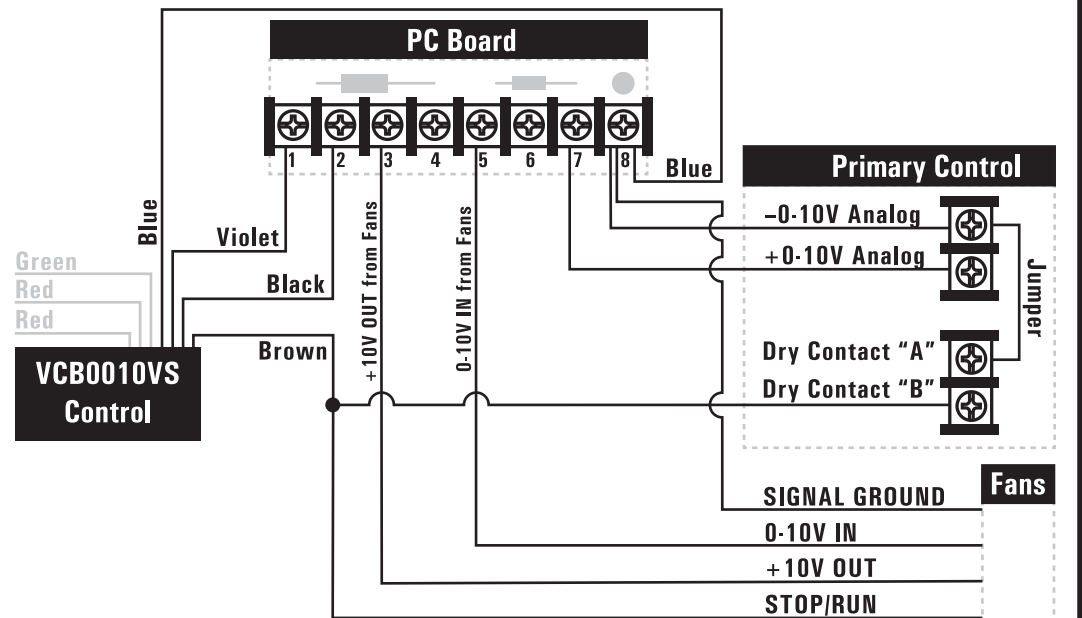
To test the system:

- 1) On the primary control either manually increase the temp setting on the stage to be tested or manually shut off the stage to be tested. Once this is done the fans should stop.
- 2) On the VCB00110VS backup thermostat turn the temp setting below the present temperature. The fans should turn on full speed indicating a successful test.
- 3) Return the primary control and the VCB00110VS backup thermostat back to their normal settings.

0-10v Control With Dry Contact

Set the VCB0010VS backup control at least 5 degrees higher than the primary control.

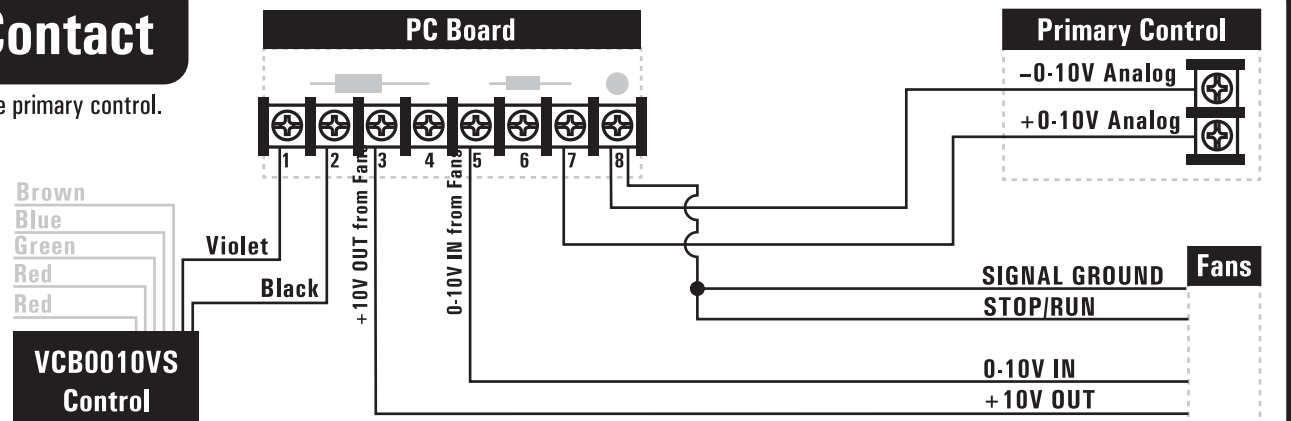
Violet (VCB0010VS Control)	1 (PC Board)
Black (VCB0010VS Control)	2 (PC Board)
Blue (VCB0010VS Control)	8 (PC Board)
Brown (VCB0010VS Control)	Dry Contact "B" (Primary Control)
Brown (VCB0010VS Control)	STOP/RUN (Fans)
Jumper	Dry Contact "A" (Primary Control) -0-10V Analog (Primary Control)
+0-10V Analog (Primary Control)	7 (PC Board)
Dry Contact "A" (Primary Control)	8 (PC Board)
-0-10V Analog (Primary Control)	8 (PC Board)
0-10V IN (Fans)	5 (PC Board)
+10V OUT (Fans)	3 (PC Board)
SIGNAL GROUND (Fans)	8 (PC Board)



0-10v Control Without Dry Contact

Set the VCB0010VS backup control at least 5 degrees higher than the primary control.

Violet (VCB0010VS Control)	1 (PC Board)
Black (VCB0010VS Control)	2 (PC Board)
+0-10V Analog (Primary Control)	7 (PC Board)
-0-10V Analog (Primary Control)	8 (PC Board)
0-10V IN (Fans)	5 (PC Board)
+10V OUT (Fans)	3 (PC Board)
SIGNAL GROUND (Fans)	8 (PC Board)
STOP/RUN (Fans)	8 (PC Board)

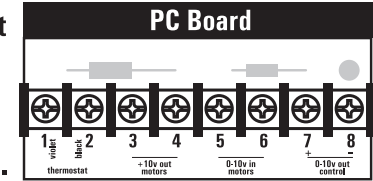


VCB0010VS Backup Thermostat for PM Motors wired for 4-20ma Control

It is recommended to test the system at least twice a year.

- To test the system:
- 1) On the primary control either manually increase the temp setting on the stage to be tested or manually shut off the stage to be tested. Once this is done the fans should stop.
 - 2) On the VCB00110VS backup thermostat turn the temp setting below the present temperature. The fans should turn on full speed indicating a successful test.
 - 3) Return the primary control and the VCB00110VS backup thermostat back to their normal settings.

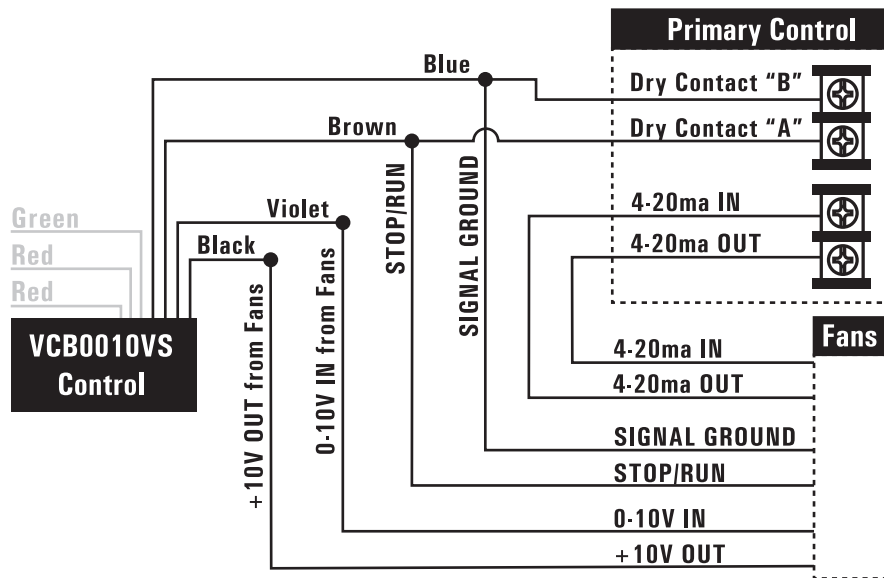
NOTICE:
In an application that requires wiring for 4-20ma Control the PC Board is not used and can be discarded.



4-20ma Control With Dry Contact

Set the VCB0010VS backup control at least 5 degrees higher than the primary control.

Violet (VCB0010VS Control)	0-10V IN (Fans)
Black (VCB0010VS Control)	+ 10V OUT (Fans)
Blue (VCB0010VS Control)	SIGNAL GROUND (Fans) Dry Contact "B" (Primary Control)
Brown (VCB0010VS Control)	STOP/RUN (Fans) Dry Contact "A" (Primary Control)
4-20ma IN (Fans)	4-20ma OUT (Primary Control)
4-20ma OUT (Fans)	4-20ma IN (Primary Control)



4-20ma Control Without Dry Contact

Set the VCB0010VS backup control at least 5 degrees higher than the primary control.

Violet (VCB0010VS Control)	0-10V IN (Fans)
Black (VCB0010VS Control)	+ 10V OUT (Fans)
Jumper	SIGNAL GROUND (Fans) STOP/RUN (Fans)
4-20ma IN (Fans)	4-20ma OUT (Primary Control)
4-20ma OUT (Fans)	4-20ma IN (Primary Control)

