

Adjustable Twin Beam Suspended Freestall System

J&D Manufacturing's popular Twin Beam Suspended Freestall System is now more adaptable than ever before! Cow spacing is fully adjustable along the Twin Beam tubes for more cow comfort. The Twin Beam height is fully adjustable when using the adjustable post and wall mounts. Then, customize your Twin Beam Suspended Freestall System further by choosing either Ironside, Relax Fit, or Dog Bone heavy-gauge cow loops or calf/heifer Ironside 1.9" loops with individual Adjustable Loop Twin Beam System.



▶▶ **Proven Stronger** ◀◀
than comparable single beam systems

Features

- Loops suspend from 3"x 3" Twin Beams that are mounted to building columns or up-posts
- There are no stall posts in the bedding to rust or corrode
- All concrete work can be done without obstructions, saving you money on labor and installation costs
- Stall system stays high and dry for corrosion resistance and longer life
- Adjustable cow spacing and Twin Beam height
- Expanded cow comfort area for lunging
- Compatible with any bedding system
- Head-to-head and single row installations
- Choose either cow loop system or calf/heifer adjustable loop system

Cow loop system

- Heavy-duty, 10-gauge, 2 $\frac{3}{8}$ " OD cow loops
- 3 loop styles to choose from (Ironside, Relax Fit, and Dog Bone)

Calf/Heifer adjustable loop system

- Individually adjustable calf/heifer loop brackets
- 1.9" OD, 11-gauge Ironside loops with a full range of on center sizes

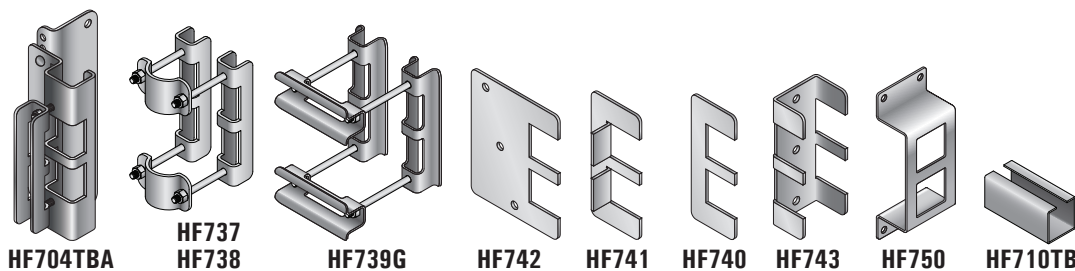
- Tight fitting $\frac{1}{4}$ " steel control rail clamps with $\frac{1}{2}$ " carriage bolts or our rubber cushion control rail clamp

⚠ WARNING: This product can expose you to chemicals including lead, which is known to the State of California to cause cancer and birth defects or other reproductive harm. For more information go to www.P65Warnings.ca.gov/product.

Adjustable Twin Beam Suspended Freestall System

Twin Beam Rail, Mounts, & Splices

Part #	Description
Beam	
RPGA311288	Square Tube, 3" x 3" x 288", 11 ga. Galvanized
Adjustable Twin Beam Mounts	
HF704TBA	Mount, Twin Beam, to Post or Wall, Adj, 1/4" Steel, HDG, w/Hardware
HF737	Mount, Twin Beam, 4" Round Post, 1/4" Steel, HDG, with Hardware
HF738	Mount, Twin Beam, 3" Round Post, 1/4" Steel, HDG with Hardware
HF739G	Mount, Twin Beam, 4" Square Post, 8 ga. Galvanized
Twin Beam Mounts	
HF742	Mount, Twin Beam, Bolt to Square Post, Weld to Rail, 1/4" Steel Painted Silver
HF741	Mount, Twin Beam, Weld to 4" Round Post, Weld to Rail, 1/4" Steel Painted Silver
HF740	Mount, Twin Beam, Weld to Sq. Metal Post/Column, Weld to Rail, 1/4" Steel Painted Silver
HF743	Mount & Splice, Twin Beam, Bolt/Weld to Sq. Post, Weld to Rail, 1/4" Steel Painted Silver
HF750	Mount, Twin Beam, Bolt to Wall or Between Posts, 8 ga. Galvanized
Beam Splices	
HF710TB	Splice Sleeve, Interior, Weld to 3" x 3" Square Tube, 12 ga. Galvanized
HF743	Mount & Splice, Twin Beam, Bolt to Square Post, Weld to Rail, Silver



HF704TBA

HF737
HF738

HF739G

HF742

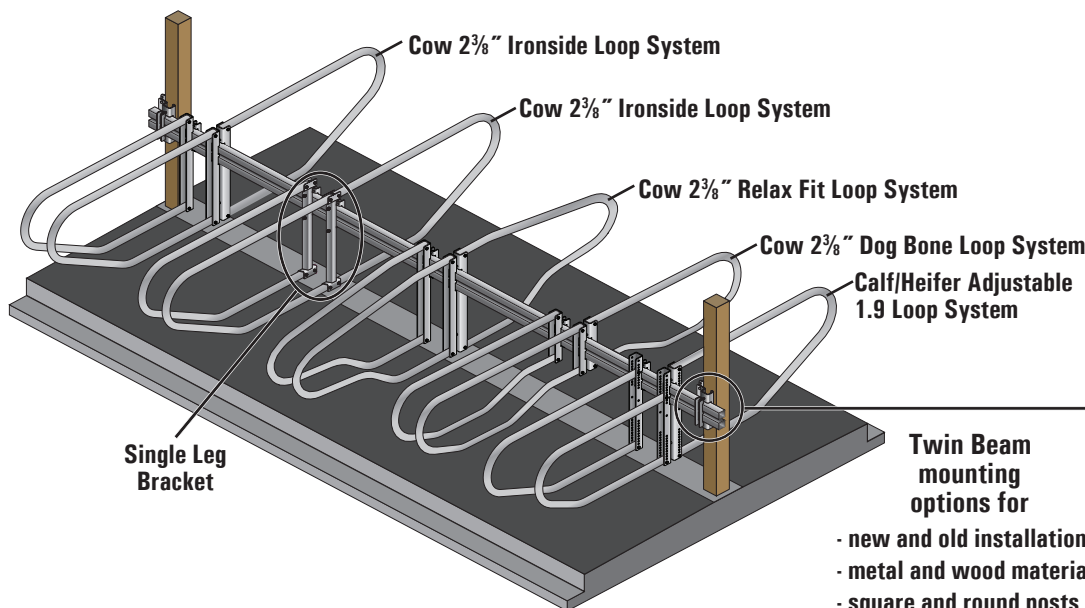
HF741

HF740

HF743

HF750

HF710TB



Single Leg Bracket

Cow 2 3/8" Ironside Loop System

Cow 2 3/8" Relax Fit Loop System

Cow 2 3/8" Dog Bone Loop System

Calf/Heifer Adjustable 1.9 Loop System

Twin Beam mounting options for

- new and old installations
- metal and wood material
- square and round posts

HF704TBA

HF737
HF738

HF739G

HF742

HF743

HF740

HF741

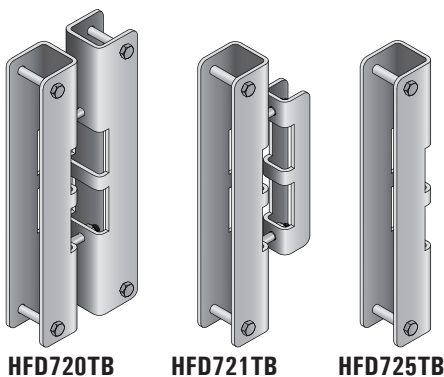
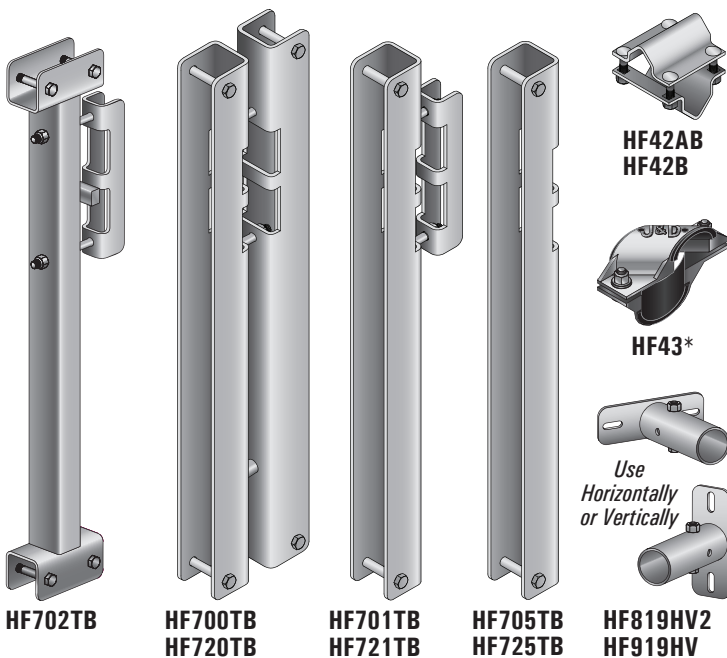
HF750

⚠ WARNING: This product can expose you to chemicals including lead, which is known to the State of California to cause cancer and birth defects or other reproductive harm. For more information go to www.P65Warnings.ca.gov/product.

Cow 2³/₈" OD Loop System for Twin Beam Suspended Freestall

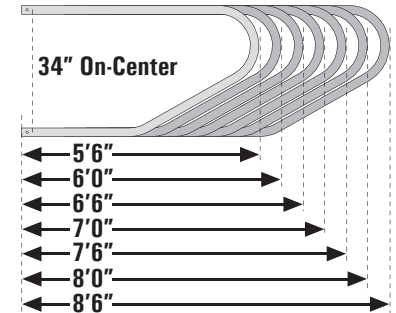
Twin Beam Stall Mount Brackets

Part #	Descriptions
Ironside Brackets	
HF702TB	Bracket, Twin Beam, 2 ³ / ₈ " Universal (Double or Single) Row, Ironside, Single Leg, HD Galv, w/Hrdw
HF700TB	Bracket, Twin Beam, 2 ³ / ₈ " Double Row, Ironside, HD Galv, w/Hrdw
HF701TB	Bracket, Twin Beam, 2 ³ / ₈ " Single Row, Ironside, HD Galv, w/Hrdw
HF705TB	Bracket, Twin Beam, 2 ³ / ₈ " Wall/Post, Ironside, HD Galv, w/Hrdw
Relax Fit Brackets	
HF720TB	Bracket, Twin Beam, 2 ³ / ₈ " Double Row, Relax Fit, HD Galv, w/Hrdw
HF721TB	Bracket, Twin Beam, 2 ³ / ₈ " Single Row, Relax Fit, HD Galv, w/Hrdw
HF725TB	Bracket, Twin Beam, 2 ³ / ₈ " Wall/Post, Relax Fit, HD Galv, w/Hrdw
Dog Bone Brackets	
HFD720TB	Bracket, Twin Beam, 2 ³ / ₈ " Double Row, Dog Bone, HD Galv, w/Hrdw
HFD721TB	Bracket, Twin Beam, 2 ³ / ₈ " Single Row, Dog Bone, HD Galv, w/Hrdw
HFD725TB	Bracket, Twin Beam, 2 ³ / ₈ " Wall/Post, Dog Bone, HD Galv, w/Hrdw



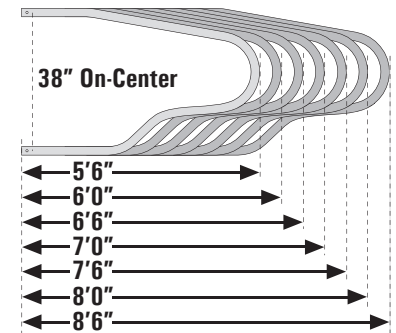
2³/₈" OD, 10-Gauge Cow Loops Ironside Loops

Part#	Length
TF856-H	5'6"
TF860-H	6'0"
TF866-H	6'6"
TF800-H	7'0"
TF876-H	7'6"
TF880-H	8'0"
TF886-H	8'6"



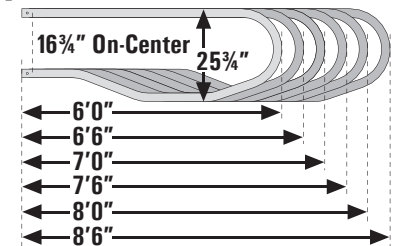
Relax Fit Loops

Part#	Length
TFY856-H	5'6"
TFY860-H	6'0"
TFY866-H	6'6"
TFY870-H	7'0"
TFY876-H	7'6"
TFY880-H	8'0"
TFY886-H	8'6"



Dog Bone Loops

Part#	Length
TFD860	6'0"
TFD866	6'6"
TFD800	7'0"
TFD876	7'6"
TFD880	8'0"
TFD886	8'6"



Control Rail Clamps & Mounts

Part #	Description
1.9" Control Rails, Clamps, and Mounts	
TR1911	Rail, Control, 1.9"x288", 11 ga. Galvanized, Swaged
HF42AB	Clamp, Control Rail, 1.9" x 2 ³ / ₈ ", 1/4" Steel, HD Galv., with 1/2" Bolts
HF43*	Clamp, Control Rail, 1.9" x 2 ³ / ₈ ", HDG Ductile Cast Iron w/Rubber Cushion & Hrdw
HF919HV	Mount, (2) Horz/Vert, for 1.9" Pipe, HD Galv., with Hardware
2³/₈" Control Rails, Clamps, and Mounts	
TR2375	Rail, Control, 2 ³ / ₈ "x288", 10 ga. Galvanized, Swaged
HF42B	Clamp, Control Rail, 2 ³ / ₈ " x 2 ³ / ₈ ", 1/4" Steel, HD Galv., with 1/2" Bolts
HF819HV2	Mount, (2) Horz/Vert, for 2 ³ / ₈ " Pipe, HD Galv., with Hardware

*Must be retightened 3 months after initial install, and yearly thereafter

⚠ WARNING: This product can expose you to chemicals including lead, which is known to the State of California to cause cancer and birth defects or other reproductive harm. For more information go to www.P65Warnings.ca.gov/product.

Calf/Heifer Adjustable Loop System for Twin Beam Suspended Freestall

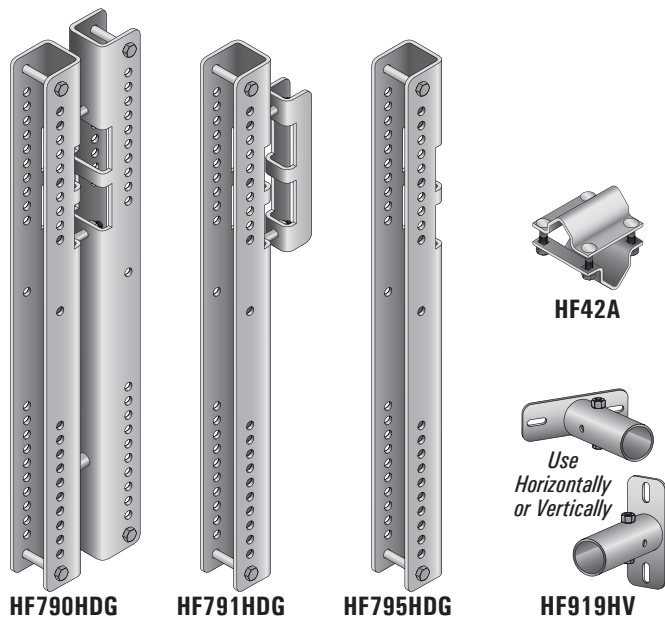
The Adjustable Loop Twin Beam System offers the same features as our standard Twin Beam system, but adds the flexibility of individual loop adjustments. Consider the possibilities of raising or lowering the height of individual rows or sections of stalls throughout your barn to fit your growing herd.



Features

- Raise or lower individual rows or sections of stalls throughout your barn
- Choice of 5 on-center sizes and 6 loop lengths
- 1.9" loop brackets are hot dip galvanized

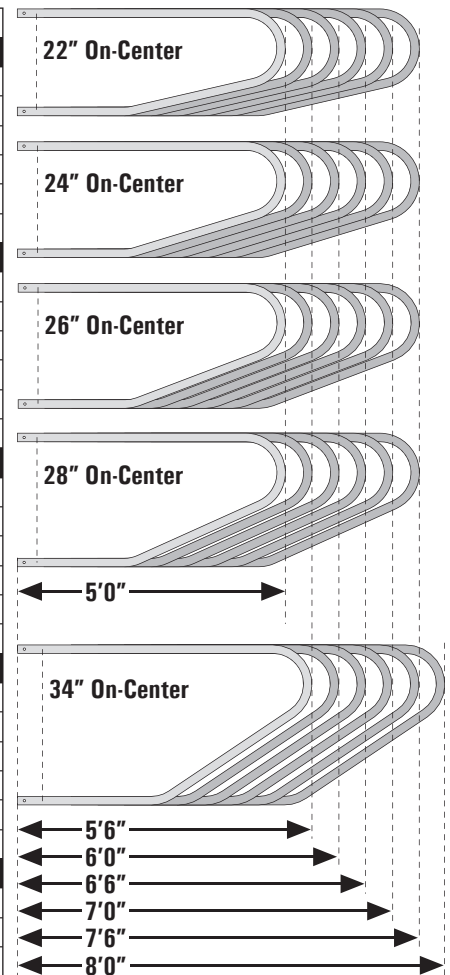
Calf/Heifer Ironside Loops - 1.9" OD, 11 GA.



1.9" Ironside Loop Brackets for Twin Beam Stall System

Part #	Description
Loop Brackets	
HF790HDG	Bracket, TB Adj, 1.9" HDG, Double Row, Ironside, w/Hardware
HF791HDG	Bracket, TB Adj, 1.9" HDG, Single Row, Ironside, w/Hardware
HF795HDG	Bracket, TB Adj, 1.9" HDG, Wall/Post, Ironside, w/Hardware
1.9" Control Rails, Clamps, and Mounts	
TR1911	Rail, Control, 1.9"x288", 11 ga. Galvanized, Swaged
HF42A	Clamp, Control Rail, 1 5/8" or 1.9" x 1 5/8" or 1.9", HDG, w/Hardware
HF919HV	Mount, (2) Horz/Vert, for 1.9" Pipe, HD Galv., with Hardware

Part#	Length
22" On-Center	
TFC950-22	5'0"
TFC956-22	5'6"
TFC960-22	6'0"
TFC966-22	6'6"
TFC970-22	7'0"
TFC976-22	7'6"
24" On-Center	
TFC950-24	5'0"
TFC956-24	5'6"
TFC960-24	6'0"
TFC966-24	6'6"
TFC970-24	7'0"
TFC976-24	7'6"
26" On-Center	
TFC950-26	5'0"
TFC956-26	5'6"
TFC960-26	6'0"
TFC966-26	6'6"
TFC970-26	7'0"
TFC976-26	7'6"
28" On-Center	
TFC950-28	5'0"
TFC956-28	5'6"
TFC960-28	6'0"
TFC966-28	6'6"
TFC970-28	7'0"
TFC976-28	7'6"
34" On-Center	
TF956*	5'6"
TF960*	6'0"
TF966*	6'6"
TF970*	7'0"
TF976*	7'6"
TF980*	8'0"



* 34" on-center Ironside Loops are compatible but use the outer most bolt holes, therefore, they are not adjustable

⚠ WARNING: This product can expose you to chemicals including lead, which is known to the State of California to cause cancer and birth defects or other reproductive harm. For more information go to www.P65Warnings.ca.gov/product.