

WIRELESS ENERGY MANAGEMENT SYSTEM

The Wireless Lodge Watch is a wireless monitoring system designed to save money on energy costs by making sure the equipment isn't running needlessly because a door or window has been left open. The Lodge Watch detects when a door or window is left open for more than 2 minutes. The Lodge Watch then locks out the HVAC equipment until it detects the closure of the door or window. This saves on energy costs, but also reduces short cycling of the HVAC equipment, reducing equipment icing, condensate pan overflow and wear on the equipment. Kits available for 1 to 4 doors and/or windows. Additional doors and/or windows can be added. Up to 30 transmitters per receiver module. Lodge Watch receiver module is for indoor use only.



For outdoor installation of the receiver module, must specify Lodge Watch system in water tight enclosure.



Features and Benefits:

- Locks out HVAC equipment when doors or windows are left open
- Restores HVAC operation when doors and windows are closed
- Reduces energy consumption
- Reduces equipment maintenance
- Extends equipment life
- Up to 30 doors or windows monitored on one panel
- Watertight enclosure available (LW1-WT, LW2-WT, LW3-WT, LW4-WT)

Warranty:

- 5 Years

Specifications:

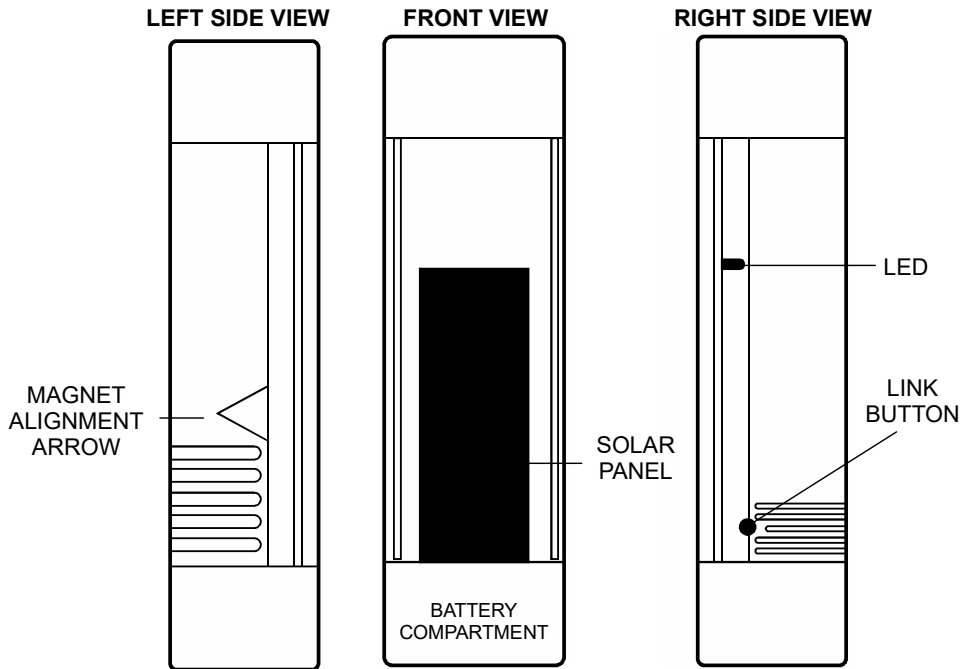
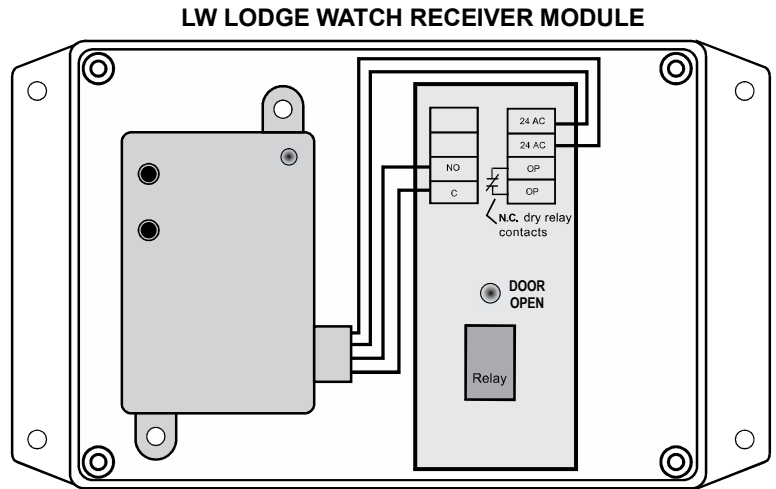
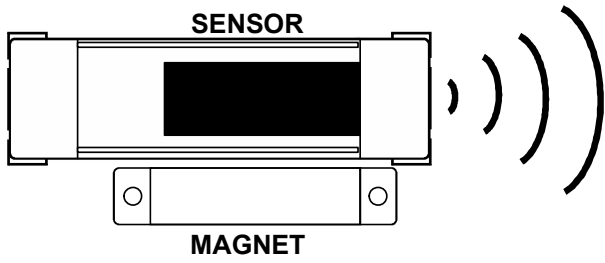
Receiver Module Dimensions	4.75" Height x 8.75" Width x 2.25" Depth
Sensor Dimensions	3.15" Height x 1.3" Width x .60" Depth (combined)
Transmitter Power	Solar or CR1216 battery
Control Module Power	24VAC
Transmission Range	80 ft.
Frequency	902MHz
Compliance	FCC, IC



5351 East Thompson Road Suite 142
 Indianapolis, IN 46237
 P: 888.359.0362
 F: 317.489.5204

info@iOhvaccontrols.com
 www.iOhvaccontrols.com

MODULE DIAGRAM



5351 East Thompson Road Suite 142
 Indianapolis, IN 46237
 P: 888.359.0362
 F: 317.489.5204

info@iOhvaccontrols.com
 www.iOhvaccontrols.com