

# Wireless Relay Plus

iO-WRP

The Wireless Relay Plus is the perfect solution when you can't run wire or existing wires have been cut or damaged. The Wireless Relay communicates wirelessly up to ¼ mile between two devices via a 915MHz radio frequency. The Wireless Relay Plus contains 2 four-channel transceivers. The base module has 3 transmitting channels and 1 receiving channel. The satellite module has 3 receiving channels and 1 transmitting channel. The relays can be used to control or monitor heat pumps, condensing units, fans, pumps, lighting, and industrial equipment.



## Features and Benefits:

Can wirelessly control or monitor the following:

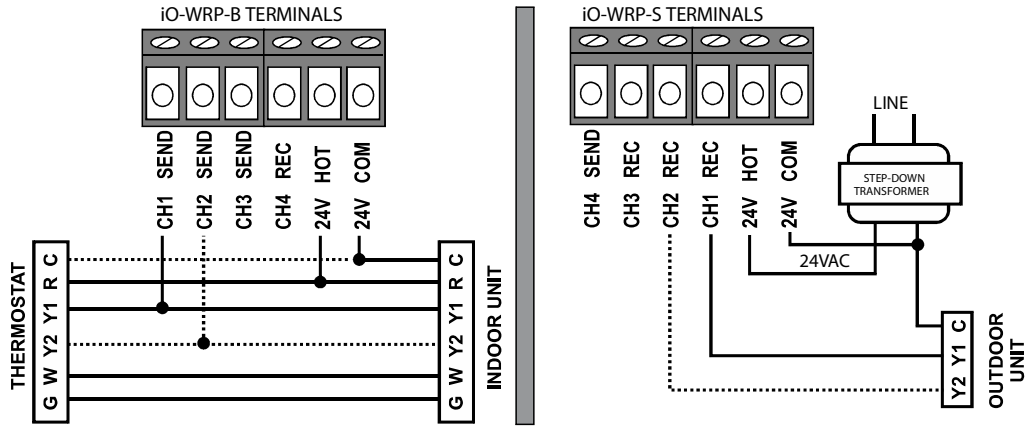
- Heat pumps
- Condensing units
- Fans, pumps, lighting
- Industrial equipment

**Warranty:** 1 year

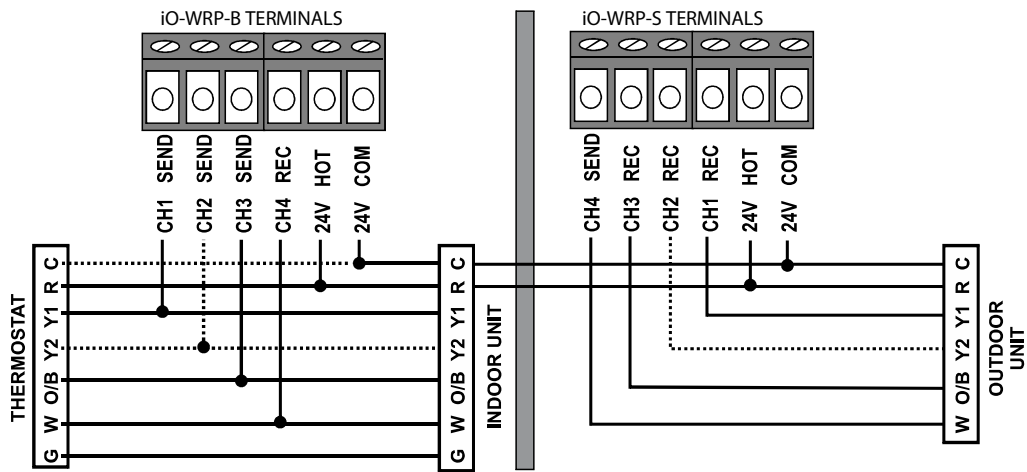
## Specifications: Base and Satellite Modules

Dimensions	5.125" Height x 2.625" Width x 1.125" Depth
Input Voltage	24 VAC
Signal Input/Output	24 VAC
Channels	Base: 3 Send - 1 Receive    Satellite: 3 Receive - 1 Send
Contact Rating	1A per channel
Frequency	915MHz Operation
Range	Up to ¼ mile
Factory-paired, multiple pairs can be installed in same building	

SINGLE OR MULTI-STAGE COOLING WITH BROKEN WIRE TO OUTDOOR UNIT



HEAT PUMP UPGRADE WITH ONLY TWO WIRES TO OUTDOOR UNIT



HEAT PUMP UPGRADE WITH NO WIRES TO OUTDOOR UNIT

