

UMM UNIVERSAL MALFUNCTION MONITOR

OVERVIEW:

The UMM Universal Malfunction Monitor is a solid-state, 24 VAC interface module designed to accept a variety of dry contact inputs such as a current sensing relay, static pressure switch, freeze stat or pressure sensor. Based on the selected UMM kit, the module will trigger a SPDT relay after a selected time of 6 seconds or 6 minutes once the input contacts open. The relay contacts can be used to disrupt equipment operation and/or send a signal to an alarm, phone dialer or other external monitoring device that a malfunction has occurred. This can greatly reduce damage to equipment and property as well as save down time and inconvenience.

UCM SPECIFICATIONS:

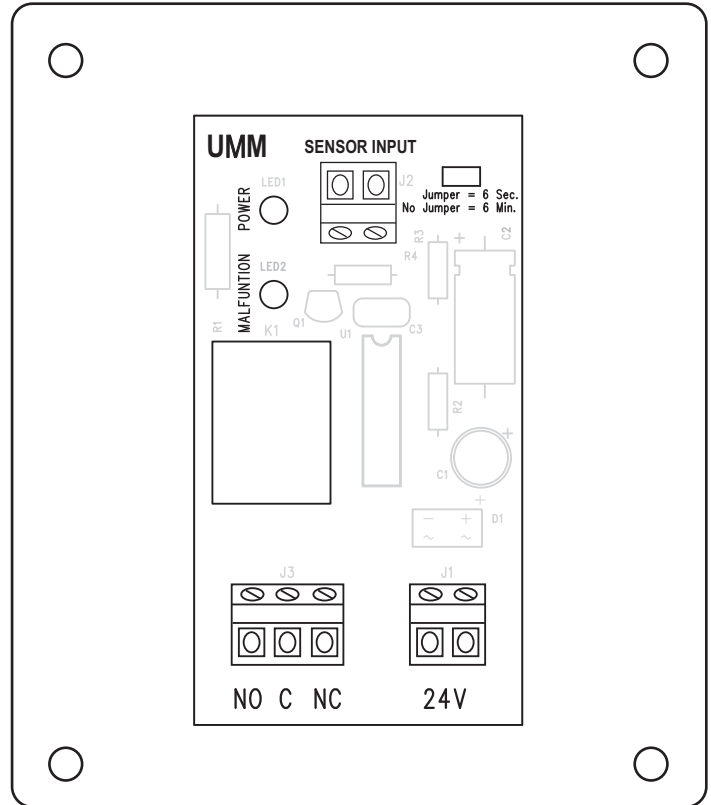
Current Rating:	.25 - 150A
Max Control Voltage:	30VAC
Relay Contacts:	SPDT (Rated at 5A)
Enclosure:	Plastic
Dimensions:	5"W x 6"H x 1.5"D

UMM KITS:

- UMM-FS Monitors Temperature
- UMM-CS Monitors Current
- UMM-SP Monitors Air Flow
- UMM-RP Monitors Pressure

WARNING:

1. Turn power off to equipment during installation to prevent serious injury from electrical shock and/or damage to the system.



CAUTION:

1. Installation of the UMM must be in compliance with all applicable codes.
2. All low voltage wire must be 18 gauge or heavier.
3. When landing wires to the UMM make sure wires are snug but do not over-tighten screw terminals.

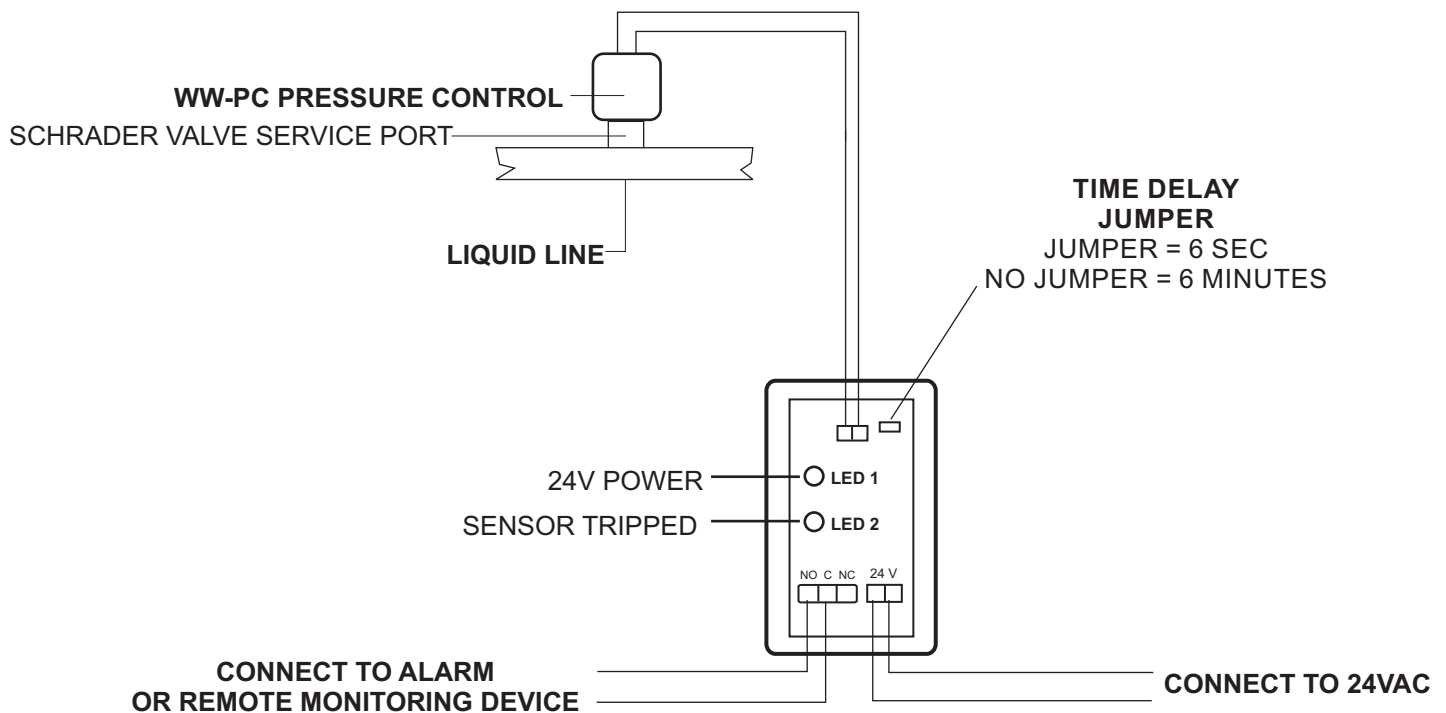
PANEL MOUNTING:

Mount the UMM on a flat, moisture-free surface in a conditioned space that will facilitate easy access for wiring and service.

UMM POWER REQUIREMENTS:

The UMM requires 24 Volt AC current. Based on the application, a separate 24 volt transformer may be required.

TYPICAL WIRING DIAGRAM FOR USING UMM-RP WITH A REFRIGERATION PRESSURE SENSOR KIT



The UMM-RP can monitor refrigerant pressure using a pressure control mounted on the liquid line side of a compressor. If the refrigerant pressure drops below the setpoint of the pressure control, the relay contact can be used to trigger an alarm or remote monitoring device.