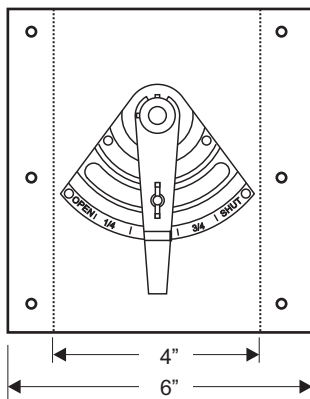


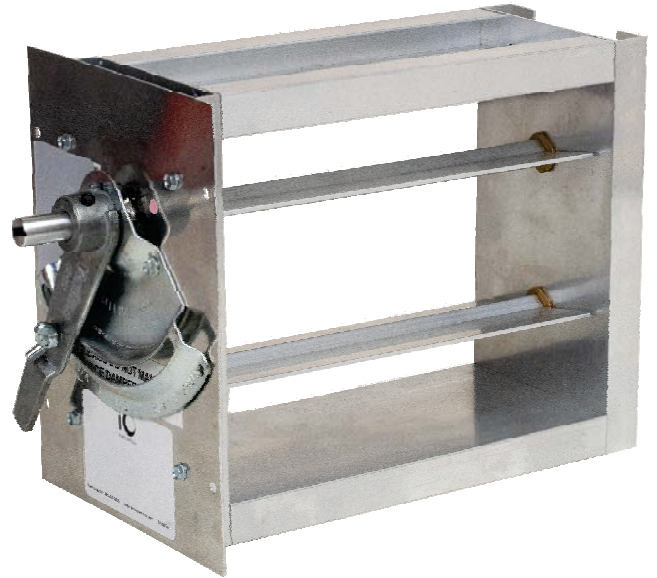
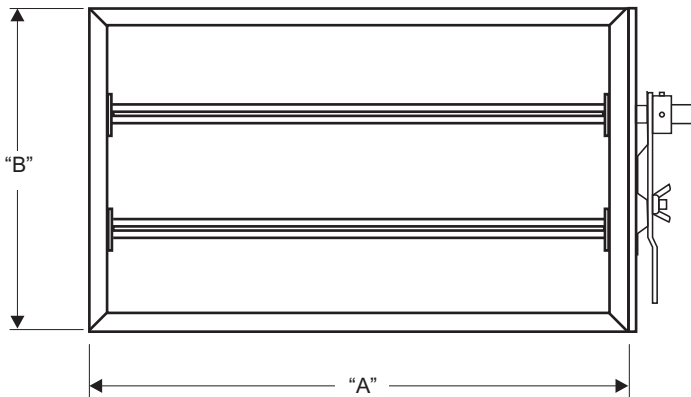
SPECIFICATION SHEET

MBD-XXXX Manual Balancing Damper with Locking Quadrant

FRONT VIEW



SIDE VIEW



SPECIFICATIONS

DIMENSIONS:

Damper models MBD-XXXX are sized width (A) by height (B) with actuator on the (B) dimension.
Bottom mount models MBD-XXXX-BM are sized width (A) by height (B) with actuator on the (A) dimension.
Actual (A) and (B) dimensions are undercut 1/4".
Standard sizes range from 8" x 8" up to 36" x 24" in 2" increments.

APPLICATION:

Air balancing applications having static pressures less than 2.0" w.c.

CONSTRUCTION:

- 1/16" extruded aluminum frame
- 1/16" extruded aluminum parallel blades
- 1/16" aluminum mounting flange
- Nylon bushings

LOCKING QUADRANT:

- Non-corrosive zinc and aluminum alloy
- Die cast handle with wing nut lock
- Two 1/4" socket head set screws to prevent slippage on shaft
- Stamped position markings on quadrant plate