

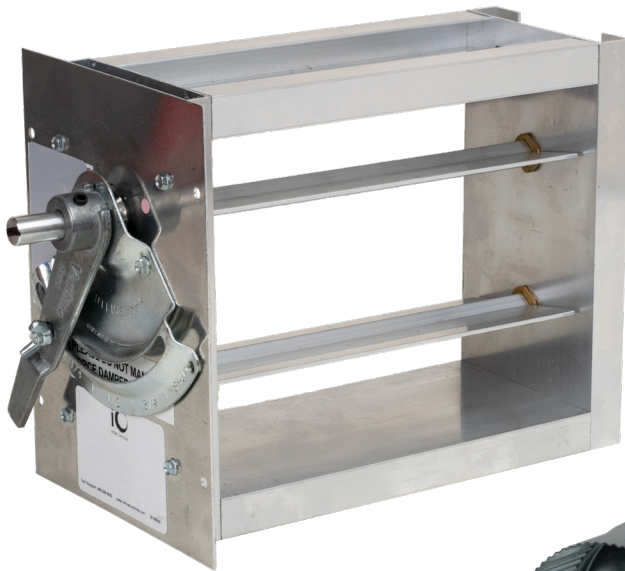
# Manual Balancing Dampers

MBD-XX  
MBD-XXXX

The manual balancing dampers can be used for a variety of applications. Whether you are looking to balance the airflow in a large-scale commercial duct system or need a simple solution for directing airflow in a residential setting, we offer a variety of sizes to fit your needs.

## Features and Benefits:

- Controls air flow
- Easy to adjust manual locking quadrant
- Standard and custom sizes available

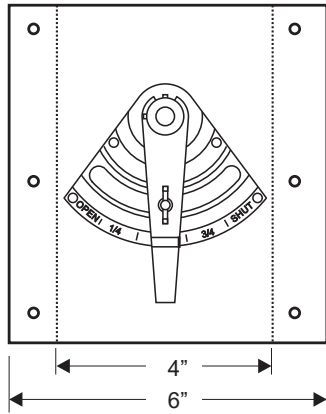


## Specifications:

<b>Construction</b>	Round: 22-gauge steel shell Rectangular: extruded aluminum
<b>Sizes</b>	Round: 6" to 20" Rectangular: 8" x 8" to 36" x 24" side-mount or bottom-mount

# DAMPER DIAGRAM

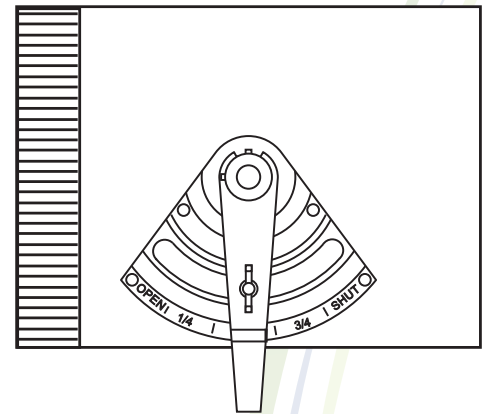
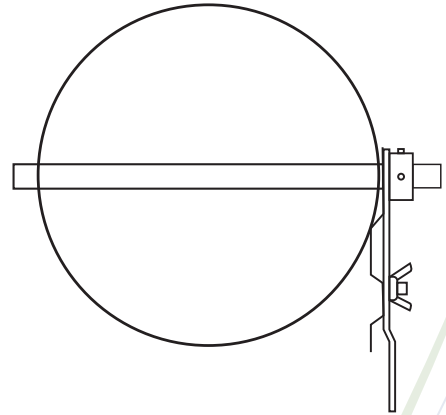
FRONT VIEW



SIDE VIEW



MBD-XXXX



MBD-XX