

### Heavy Duty Round Dampers

#### Application

The HD damper is a galvanized steel, single blade damper. This heavy-duty damper can be installed in any position in any properly sized duct. Dampers are available in 5", 6", 7", 8", 9", 10", 12", 14", 16", and 18" diameters. Dampers are ordered as HD - XX, where XX is the 2-digit diameter.



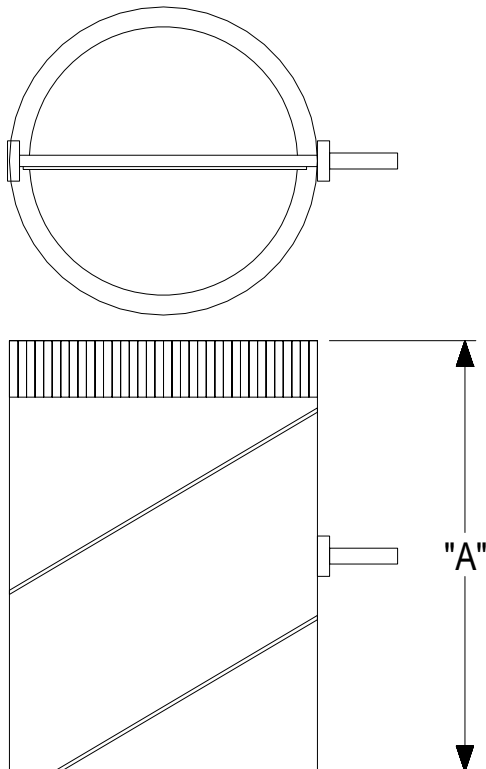
MADE IN  
USA



#### Construction

**Frame:** 18 gauge spiral steel shell  
**Blades:** 18 gauge steel blade  
**Bushings:** Nylon bushings  
**Seals:** Air tight blade seals  
**Shaft:** 1/2" Aluminum shaft  
**Finish:** Mill finish

#### Dimensions



DAMPER SIZE	"A" DIMENSION
5"	10"
6"	10"
8"	10"
10"	10"
12"	10"
14"	10"
16"	10"
18"	10"
20"	10"