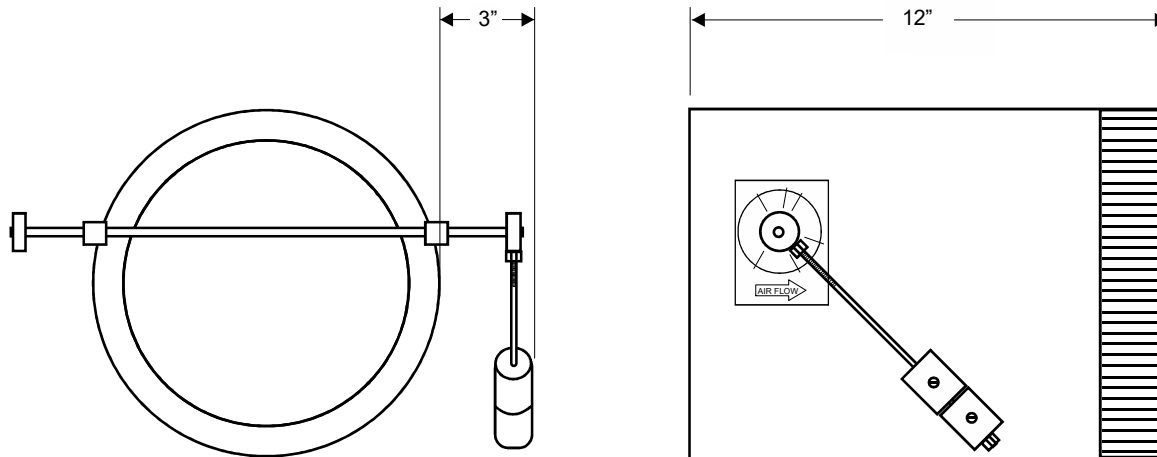


SPECIFICATION SHEET

BV-XX Round, Barometric Bypass Dampers



FOR HORIZONTAL OR VERTICAL MOUNTING

SPECIFICATIONS

DIMENSIONS:

Barometric bypass damper models BV-XX are available in sizes 10" and 12"

APPLICATION:

Compatible for zone control and other HVAC applications in maintaining system static pressure from 0.2" to 0.75" w.c.
Damper can be mounted horizontally or vertically with direction of airflow

CONSTRUCTION:

22 gauge steel shell
20 gauge steel blade
1/2" aluminum shaft
Nylon bushings
Air tight blade seals
Adjustable weights

RECOMMENDED BYPASS DAMPER SIZING BASED ON COOLING TONNAGE:

3 Tons = 10"
4 to 5 Tons = 12"