



# IQ Series

Commercial/Industrial Tube Heater



## Innovation that lowers your fuel cost and increases comfort

The **IQ Series** boasts high comfort and provides significant energy savings and a carbon footprint reduction of up to 50%.

The long and laminar flame of this tube heater provides an even heat distribution and is easy to install, access, and maintain. **IQ Series** provides the highest employee comfort by creating a uniform distribution of heat.

**Experience Counts:** Infrasave is the worldwide market leader and most trusted brand with over 2 million heating appliances sold.



## Features

- 24 or 120 volt control
- Whisper-Jet technology makes heater extremely quiet
- Easy access to “clamshell” burner box
- Pre-installed igniter
- Status indicator lights
- Combustion air collar included

### Optional Accessories See back for more details.

- Air Intake Wall Cap
- Horizontal Flue Vent Terminal
- Elbow Kit

*Also Available in IW/IWP Series model for Harsh Environment Applications – See IW/IWP Series brochure for more details*

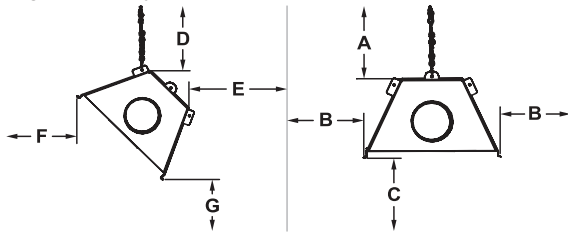
**Contact us today for a FREE design and quote!**

# IQ Series - Technical Specifications, Controls, & Accessories

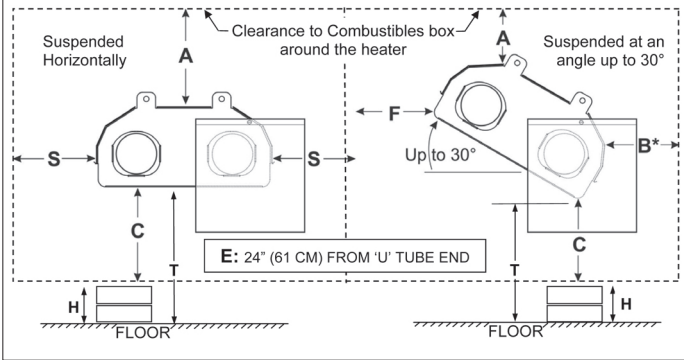
Information below is intended only as a reference and should not be used when installing equipment. Please ensure you locate the most recent instruction manual for accurate and up to date information.

## Clearances to Combustibles

### IQ Straight Tube System



### \*P40U-I Packaged U-Tube



MODELS	SUSPENDED AT AN ANGLE UP TO 45°				SUSPENDED HORIZONTALLY		
	D	E	F	G	A	B	C
IQ 200	13"	6"	74"	70"	14"	44"	76"
IQ 175	12"	6"	72"	68"	13"	42"	74"
IQ 155	5.5"	1"	64"	64"	3.5"	22"	70"
IQ 130	4.5"	1"	60"	60"	3.3"	21"	65"
IQ 110	3.5"	1"	54"	54"	2"	19"	60"
IQ 100	6.5"	1"	57"	68"	6.0"	22"	68"
IQ 80	3.0"	1"	23"	38"	1.75"	6"	38"
IQ 60	2.5"	1"	17"	34"	1.5"	5.5"	34"
IQ 45	2.75"	1"	24"	32"	2.25"	7"	32"
P40U-I*	A	B	F	C	A	S	C
	12"	12"	36"	55"	12"	24"	55"

## Optional Accessories

Fresh air intake wall cap	JS-0532-VC
4" Horizontal flue vent terminal (wall)	JA-0528-XX
90° Elbow kit with reflector cap (Combine with two 90° to create 180° elbow)	JS-0508-JZ
#2 Lion chain	JL-0800-XX

Consult your local authorized dealer for other Infrasave accessories:

- Line-voltage and 24V thermostat and controls
- Side reflector extensions

Additional resources:



Installation Manual



Replacement Parts List



P40U-I Installation Manual

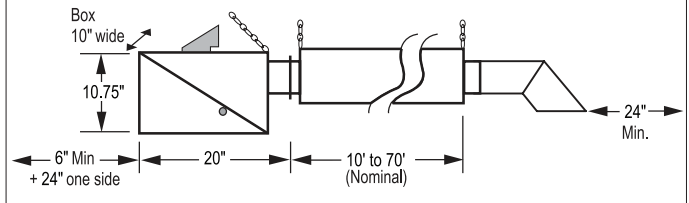


Find a Distributor

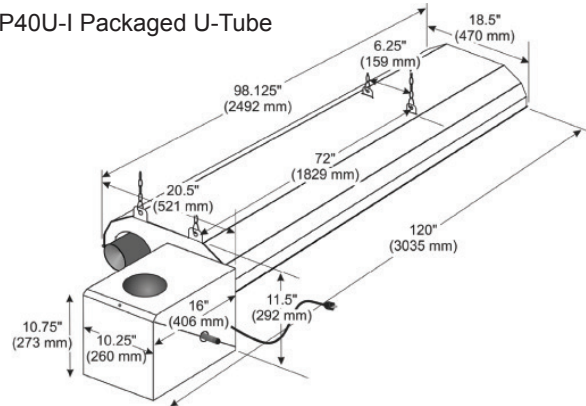
Distributor info:

## Dimensions and Specifications

### IQ Straight Tube System



### \*P40U-I Packaged U-Tube

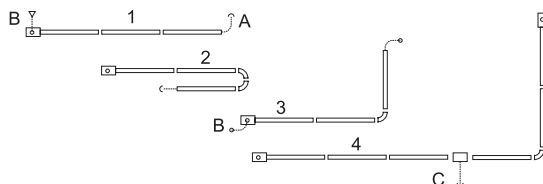


MODEL	INPUT (BTU/HR) U.S.A.: SEA LEVEL TO 2,000' CANADA: SEA LEVEL TO 4,500'	HEATER LENGTH						
		10'	20'	30'	40'	50'	60'	70'
IQ 200	200,000					■	■	■
IQ 175	175,000					■	■	■
IQ 155	150,000				■	■	■	
IQ 130	130,000			■	■	■		
IQ 110	110,000			■	■	■		
IQ 100	100,000		■					
IQ 80	80,000		■	■	■			
IQ 60	60,000		■	■				
IQ 45	45,000		■					
P40U-I*	40,000	■						
HEATER LENGTH		10'	21'4"	31'	40'8"	50'4"	60'	69'8"
SHIPPING WEIGHT (LBS.)		100	150	200	240	315	360	430

\* HIGH ALTITUDE: De-rate heater 4% for each additional 1,000 ft. of elevation

Gas Pressure	Line Minimum:	5" W.C. NG	11" W.C. LP
	Line Maximum:	14" W.C. NG	14" W.C. LP
	Manifold	3.5" W.C. NG	10" W.C. LP
Gas Inlet	1/2"		
Flue & Air Vent	4"		
Electrical	120V, 60 Hz, 1.5 AMPS		

## Flexible Layout of Straight Tube Systems



### System Configuration

- Straight line
- "U" tube with two 90° elbow kits
- "L" tube with 90° elbow kit
- Common 6" TEE flue vent

### Venting Options

- 4" flue vent through wall or roof
- 4" intake air from wall or roof
- 6" common vent through wall or roof